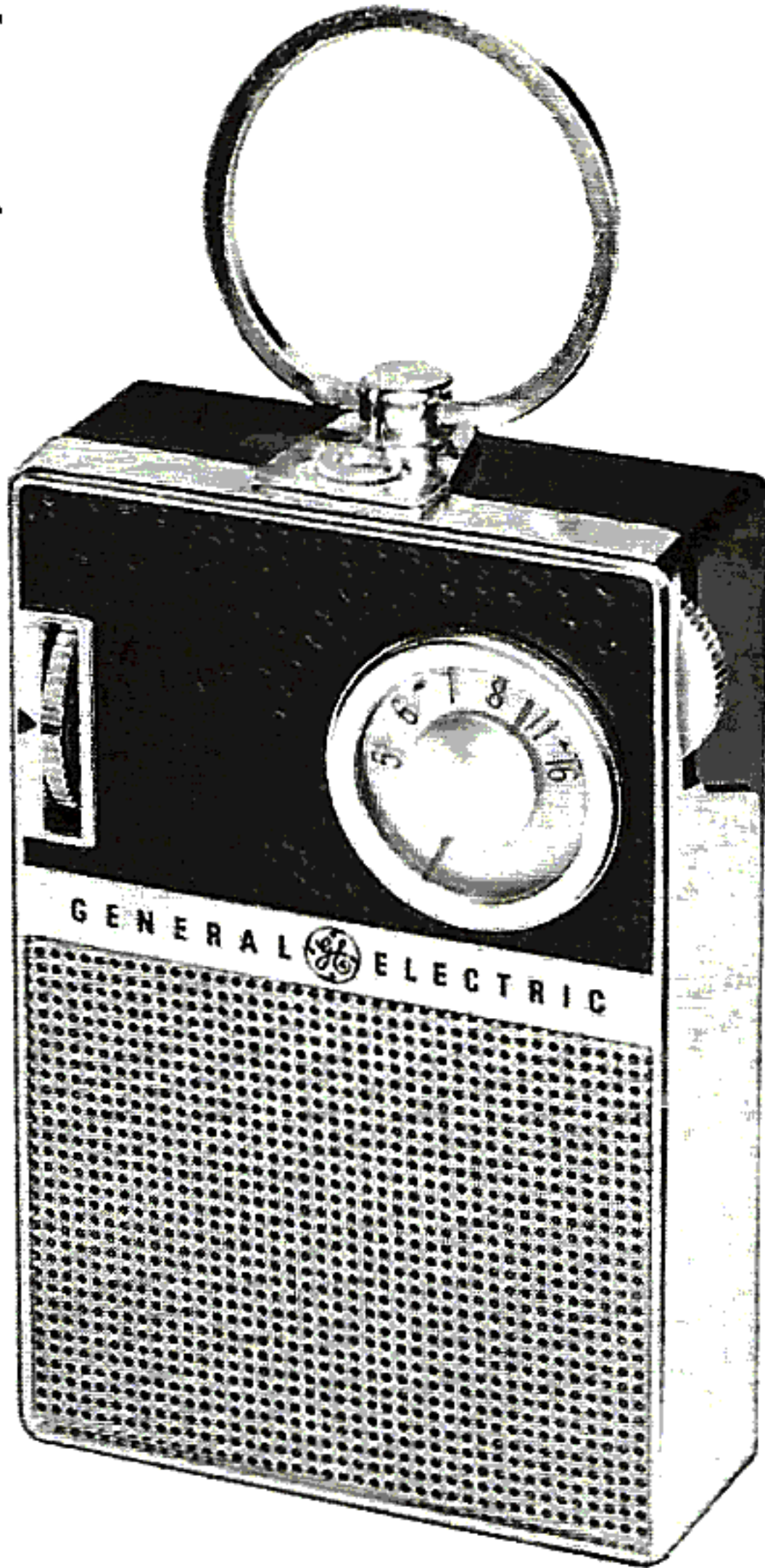


PHOTOFACT® Folder

with **CIRCUITRACE®**

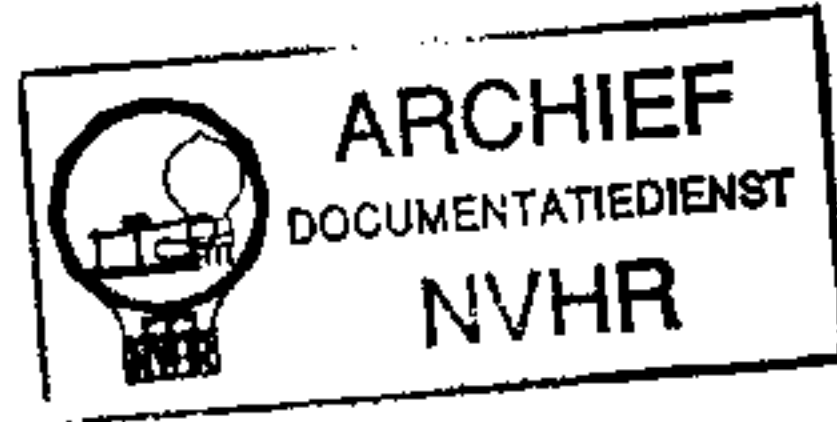
GENERAL ELECTRIC MODELS P850B, P850C, P851C, P8501B, P8501C, P8511C



MODEL P850B

Met dank aan Jef Bos

Ned. Ver. v. Historie v/d Radio



TRADE NAME	General Electric Models P850B, P850C, P851C, P8501B, P8501C, P8511C		
MANUFACTURER	General Electric Co., Product Service, Radio Receiver Dept., 1001 Broad Street, Utica, N. Y.		
TYPE SET	Battery Operated Transistorized Portable AM Receiver		
POWER SUPPLY	4 Volts DC	RATING	7MA @ 4 Volts DC (No Signal, Min. Volume)
TUNING RANGE—BROADCAST	540 — 1630KC		10MA @ 4 Volts DC (Signal, Normal Volume)

ALIGNMENT INSTRUCTIONS

ALIGNMENT INSTRUCTIONS—READ CAREFULLY BEFORE ATTEMPTING ALIGNMENT

Volume control should be at maximum position. Output of signal generator should be no higher than necessary to obtain an output reading.

Suggested Alignment Tools:

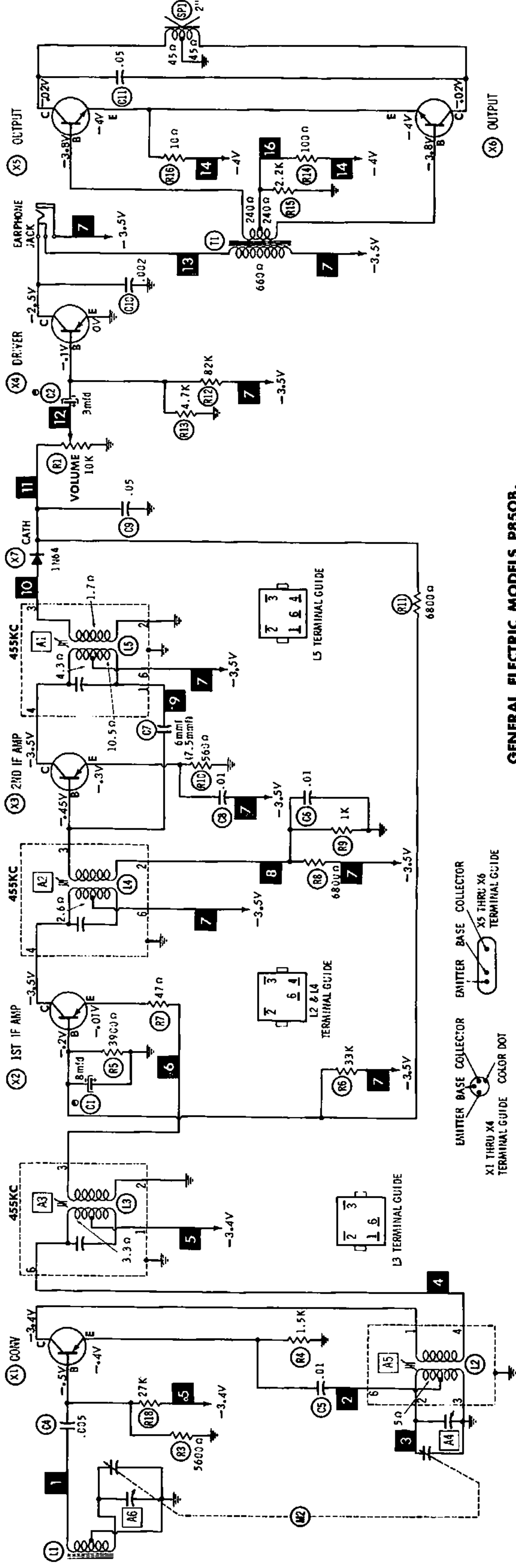
- A1, A2, A3, A5..... GENERAL CEMENT #5009, 8195, 8274, 8275, 8728, 8729, 8987, 8988, 8989
WALSCO #2515, 2531, 2532
- A4, A6..... GENERAL CEMENT #5000, 5003, 5066, 8276, 8290, 9087, 9089
WALSCO #2512, 2525, 2528

	SIGNAL GENERATOR COUPLING	SIGNAL GENERATOR FREQUENCY	RADIO DIAL SETTING	OUTPUT METER	ADJUST	REMARKS
1.	Fashion loop of several turns of wire and radiate signal into loop of receiver.	455KC (400% Mod.)	Tuning gang fully open.	Across voice coil.	A1, A2, A3	Adjust for maximum output.
2.	"	1630KC	"	"	A4	"
3.	"	580KC	580KC	"	A5	Adjust for maximum output while rocking tuning gang.
4.	"	1400KC	1400KC Signal.	"	A6	Adjust for maximum output while rocking tuning gang. Repeat steps 2, 3, and 4.

HOWARD W. SAMS & CO., INC. Indianapolis 6, Indiana

The listing of any available replacement part herein does not constitute in any case a recommendation, warranty or guaranty by Howard W. Sams & Co., Inc., as to the quality and suitability of such replacement part. The numbers of these parts have been compiled from information furnished to Howard W. Sams & Co., Inc., by the manufacturers of LF163

the particular type of replacement part listed. Reproduction or use, without express permission, of editorial or pictorial content, in any manner, is prohibited. No patent liability is assumed with respect to the use of the information contained herein. ©1962 Howard W. Sams & Co., Inc., Indianapolis 6, Indiana. Printed in U.S. of America



GENERAL ELECTRIC MODELS P850B, P8501C, P8501B, P8511C, P8511C

RESISTANCE MEASUREMENTS NOT GIVEN BECAUSE OF THE WIDE VARIATION IN INTERNAL TRANSISTOR RESISTANCE.

NUMBERS ASSIGNED TO COILS, SWITCHES, PLUGS, SOCKETS, AND TRANSFORMERS ARE TO FACILITATE CIRCUIT TRACING OR COMPONENT REPLACEMENT AND MAY NOT NECESSARILY BE FOUND ON THE UNIT.

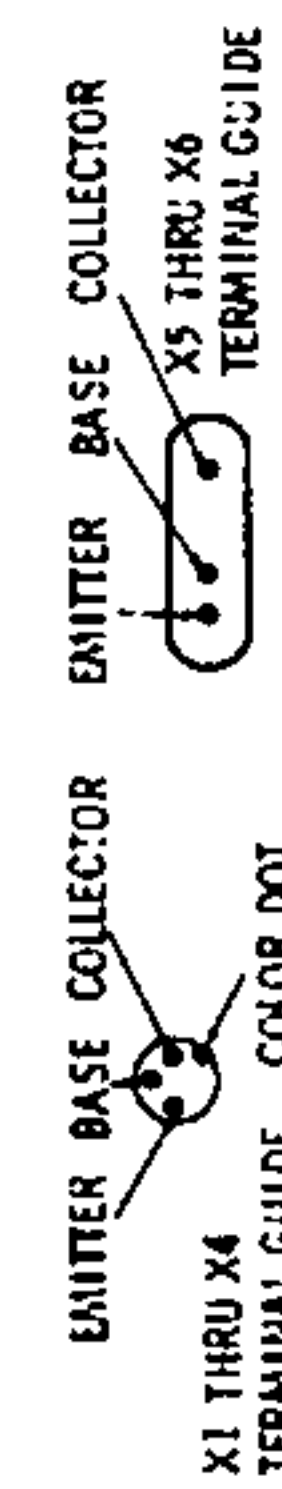
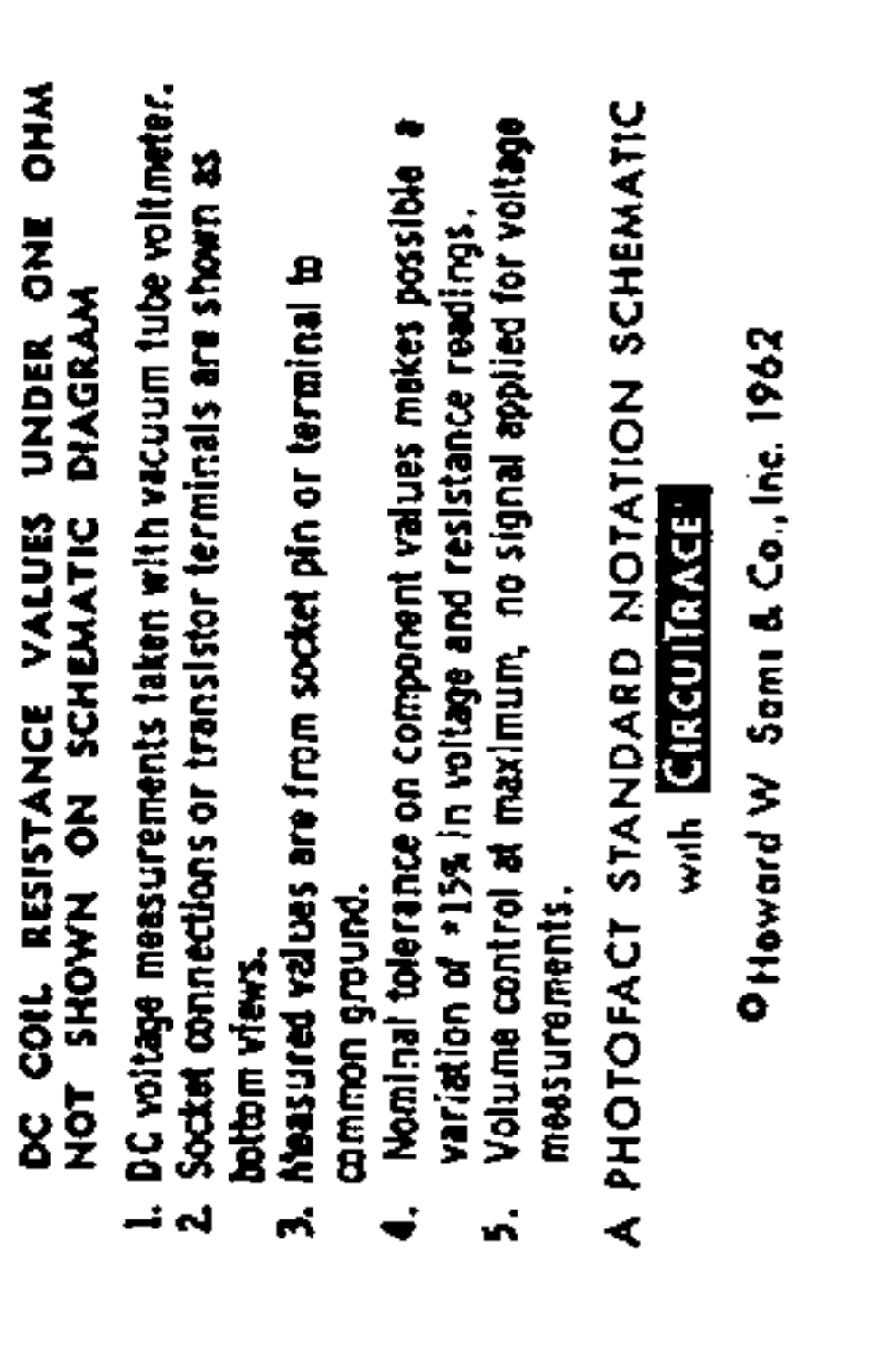
SEE PARTS LIST FOR ALTERNATE VALUE OR APPLICATION

DC COIL RESISTANCE VALUES UNDER ONE OHM NOT SHOWN ON SCHEMATIC DIAGRAM

1. DC voltage measurements taken with vacuum tube voltmeter.
2. Socket connections or transistor terminals are shown as bottom views.
3. Measured values are from socket pin or terminal to common ground.
4. Nominal tolerance on component values makes possible a variation of ±15% in voltage and resistance readings.
5. Volume control at maximum, no signal applied for voltage measurements.

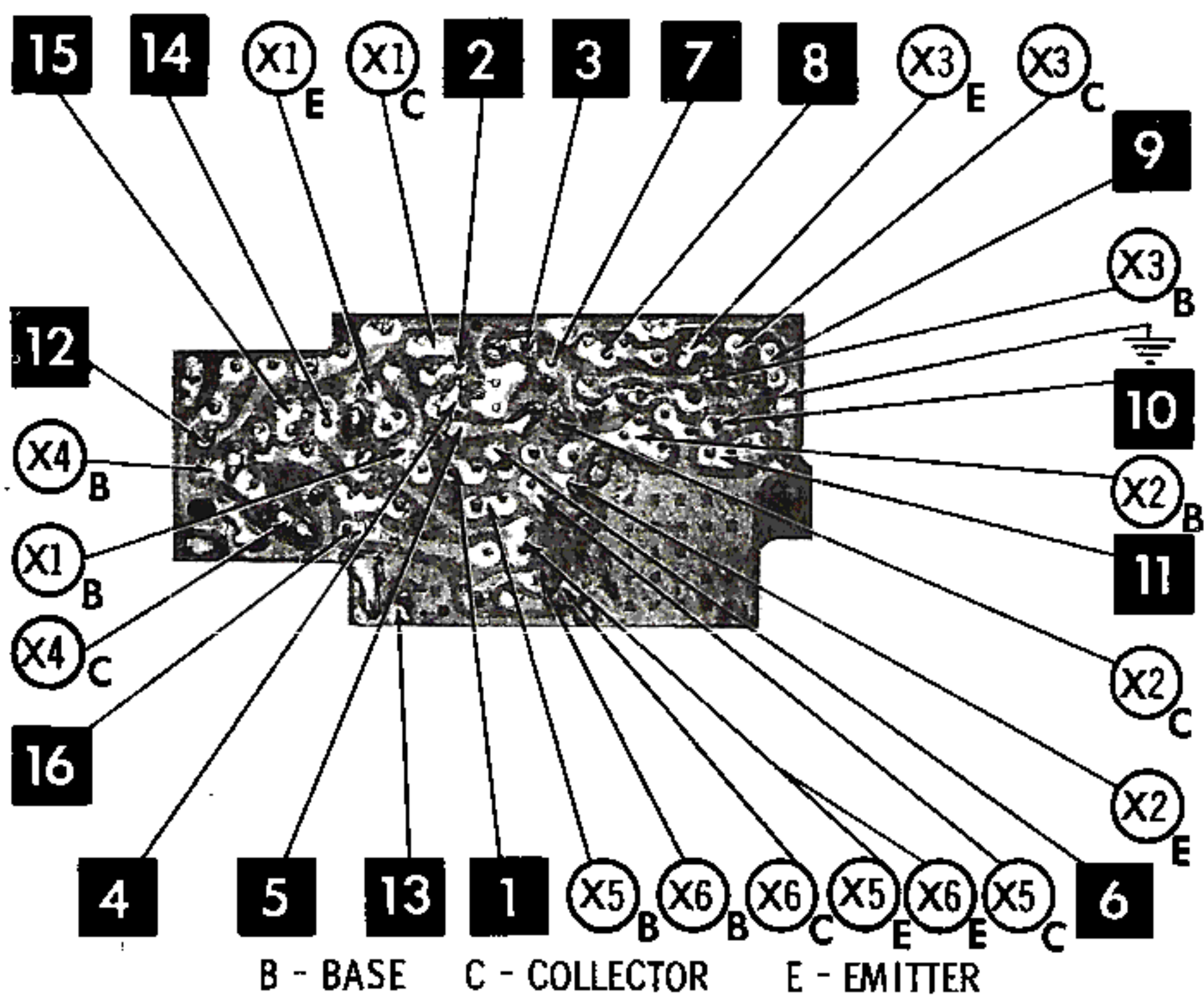
A PHOTOFAC STANDARD NOTATION SCHEMATIC with **CIRCUITACE**

Howard W. Sami & Co., Inc. 1962



PRINTED BOARD

A Howard W. Sams CIRCUITRACE Photo



PARTS LIST AND DESCRIPTIONS (Continued)

COILS (RF-IF)

ITEM No.	USE	REPLACEMENT DATA					NOTES
		G. E. PART No.	Merit PART No.	Miller PART No.	Stancor PART No.	Workman TV PART No.	
L1	Loopstick	RS-3010					
L2	Osc.	RS-3009					
L3	1st IF	RS-3008					
L4	2nd IF	RS-3202					
L5	3rd IF	RS-3008					

TRANSFORMER (DRIVER)

ITEM No.	TURNS RATIO		REPLACEMENT DATA					NOTES
	PRI.	SEC.	G. E. PART No.	Merit PART No.	Stancor PART No.	Thordarson PART No.	Triod PART No.	
T1	1.4	1	RS-3005					

SPEAKER

ITEM No.	TYPE			REPLACEMENT DATA		NOTES
	SIZE	FIELD	V. C. IMP.	G. E. PART No.	QUAM PART No.	
SP1	2"		85-95Ω	RB-1198		Magnetic Type

BATTERIES

ITEM No.	VOLTAGE	G. E. PART No.	REPLACEMENT DATA						NOTES
			BURGESS		EVEREADY		MALLORY		
			"A"	"B"	"A"	"B"	"A"	"B"	
M1	4V			H133		E133		TR133	

MISCELLANEOUS

ITEM No.	PART NAME	G. E. PART No.	NOTES
M2	Tuning Cap.	RS-2972	2 Gang

CABINETS & CABINET PARTS

(When Ordering Cabinets & Cabinet Parts, Specify Model, Chassis & Color)

NAME	PART NO.	DESCRIPTION
Dial Crystal	RS-2990	Tuning Volume, Model P850B Volume, Models P850C, P851C With Grille Cloth, Models P850B, P850C With Grille Cloth, Model P850B Model P850C With Grille, Model P851C With Grille, Model P851C
Dial Scale	RS-2991	
Knob	RS-2992	
Knob	RS-2993	
Knob	RS-3208	
Cabinet Back	RB-1197	
Cabinet Front	RB-1198	
Cabinet Front	RB-1210	
Cabinet Front	RB-1221	
Cabinet Back	RB-1222	

WIRING DATA

General-use Unshielded Hook-up Wire Use BELDEN No. 8530 (Solid) Available in Ten Colors
8524 (Stranded) Available in Ten Colors

CHASSIS—TOP VIEW

