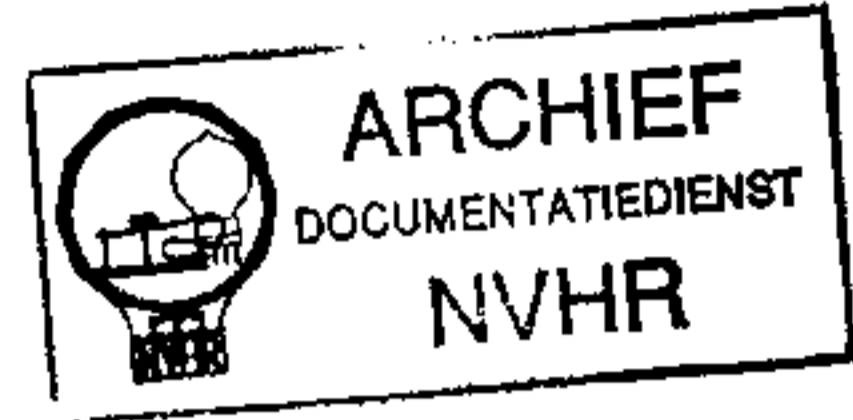


PHOTOFACT® Folder

with **CIRCUTRACE®**

**GENERAL ELECTRIC
MODEL P840A**

Met dank aan Jef Bos Ned. Ver. v. Historie v/d Radio



TRADE NAME	General Electric Model P840A		
MANUFACTURER	General Electric Co., Product Service, Radio Receiver Dept., 1001 Broad Street, Utica, N. Y.		
TYPE SET	Battery Operated 7 Transistor Portable AM Receiver		
POWER SUPPLY	9 Volts DC	RATING	36MA @ 9 Volts DC
TUNING RANGE	BROADCAST 540-1630KC		

ALIGNMENT INSTRUCTIONS

ALIGNMENT INSTRUCTIONS—READ CAREFULLY BEFORE ATTEMPTING ALIGNMENT

Use only enough generator output to provide a usable indication.

Suggested Alignment Tools: A1 thru A8 ... GENERAL CEMENT #5000, 5003, 5068, 8271, 8272, 8276, 8277, 8290, 8609, 8722, 9150, 9298
WALSCO #2515, 2516, 2518, 2519, 2525, 2541

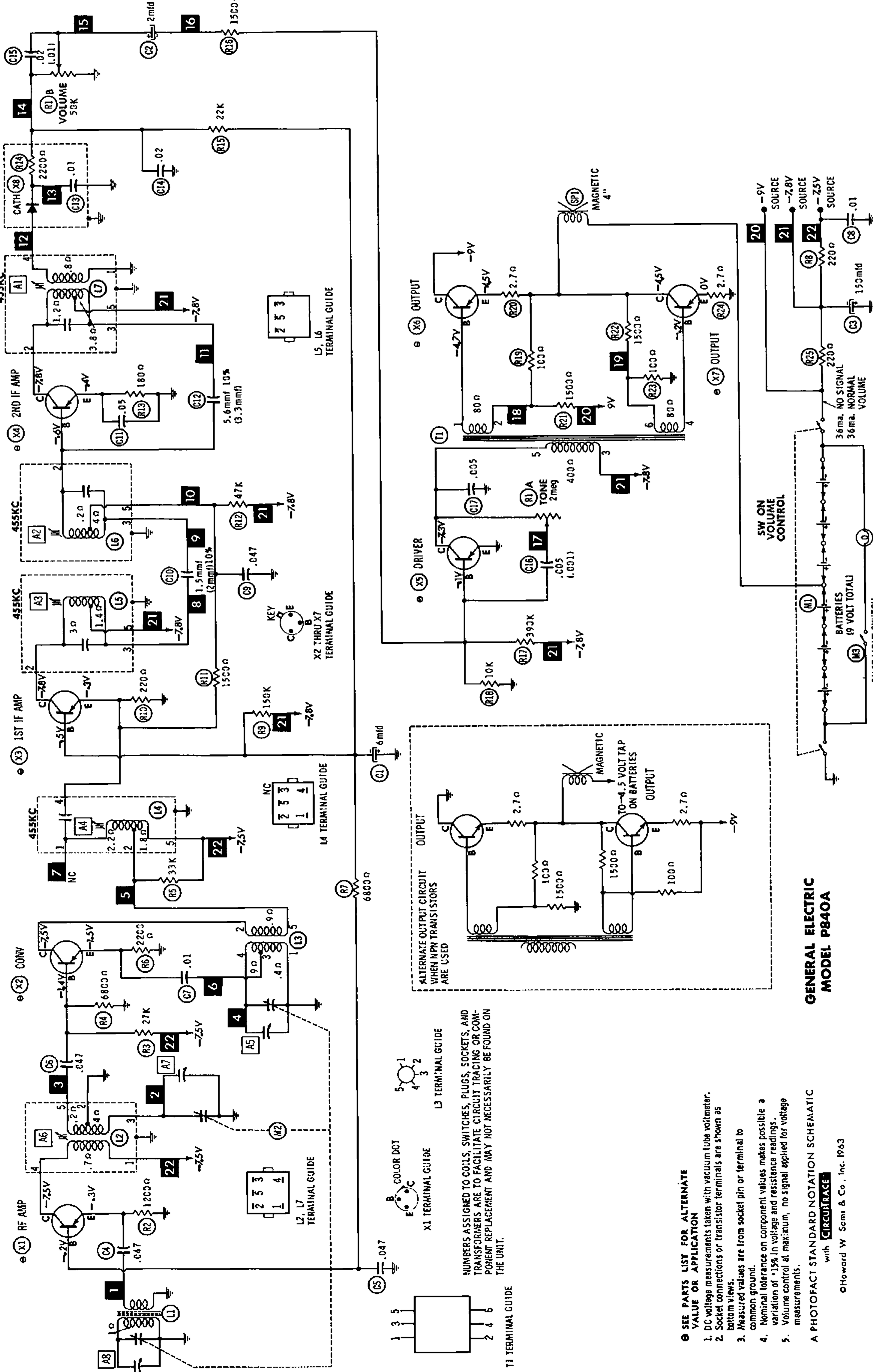
	SIGNAL GENERATOR COUPLING	SIGNAL GENERATOR FREQUENCY	RADIO DIAL SETTING	INDICATOR	ADJUST	REMARKS
1.	Fashion loop of several turns of wire and radiate signal into loop of receiver.	455KC (Unmod.)	Tuning gang fully open	DC VTVM across Volume control	A1, A2, A3, A4	Adjust for maximum deflection.
2.	"	1630KC	"	"	A5	"
3.	"	600KC	600KC	"	A6	"
4.	"	1400KC	1400KC	"	A7, A8	"

HOWARD W. SAMS & CO., INC. Indianapolis 6, Indiana

The listing of any available replacement part herein does not constitute in any case a recommendation, warranty or guaranty by Howard W. Sams & Co., Inc., as to the quality and suitability of such replacement part. The numbers of these parts have been compiled from information furnished to Howard W. Sams & Co., Inc., by the manufacturers of the particular type of replacement LF691

part listed. Reproduction or use, without express permission, of editorial or pictorial content, in any manner, is prohibited. No patent liability is assumed with respect to the use of the information contained herein. ©1963 Howard W. Sams & Co., Inc., Indianapolis 6, Indiana.

Printed in U.S. of America



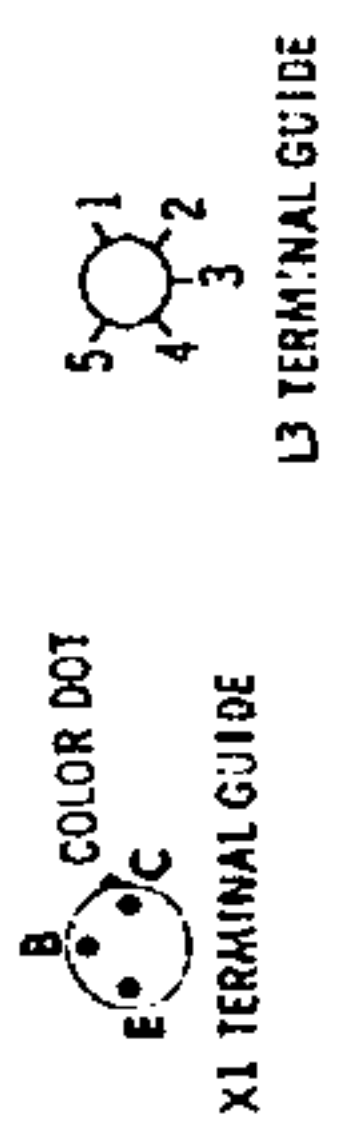
**GENERAL ELECTRIC
MODEL P840A**

A PHOTOFACT STANDARD NOTATION SCHEMATIC
with **CIRCUITAGE**
©Howard W Sams & Co., Inc. 1963

SEE PARTS LIST FOR ALTERNATE VALUE OR APPLICATION

- DC voltage measurements taken with vacuum tube voltmeter.
- Socket connections or transistor terminals are shown as bottom views.
- Measured values are from socket pin or terminal to common ground.
- Nominal tolerance on component values makes possible a variation of ±15% in voltage and resistance readings.
- Volume control at maximum, no signal applied for voltage measurements.

NUMBERS ASSIGNED TO COILS, SWITCHES, PLUGS, SOCKETS, AND TRANSFORMERS ARE TO FACILITATE CIRCUIT TRACING OR COMPONENT REPLACEMENT AND MAY NOT NECESSARILY BE FOUND ON THE UNIT.



X1 TERMINAL GUIDE

X2 THROUGH X7 TERMINAL GUIDE

X8 THROUGH X16 TERMINAL GUIDE

X17 THROUGH X25 TERMINAL GUIDE

X26 THROUGH X34 TERMINAL GUIDE

X35 THROUGH X43 TERMINAL GUIDE

X44 THROUGH X52 TERMINAL GUIDE

X53 THROUGH X61 TERMINAL GUIDE

X62 THROUGH X70 TERMINAL GUIDE

X71 THROUGH X79 TERMINAL GUIDE

X80 THROUGH X88 TERMINAL GUIDE

X89 THROUGH X97 TERMINAL GUIDE

X98 THROUGH X106 TERMINAL GUIDE

X107 THROUGH X115 TERMINAL GUIDE

X116 THROUGH X124 TERMINAL GUIDE

X125 THROUGH X133 TERMINAL GUIDE

X134 THROUGH X142 TERMINAL GUIDE

X143 THROUGH X151 TERMINAL GUIDE

X152 THROUGH X160 TERMINAL GUIDE

X161 THROUGH X169 TERMINAL GUIDE

X170 THROUGH X178 TERMINAL GUIDE

X179 THROUGH X187 TERMINAL GUIDE

X188 THROUGH X196 TERMINAL GUIDE

X197 THROUGH X205 TERMINAL GUIDE

X206 THROUGH X214 TERMINAL GUIDE

X215 THROUGH X223 TERMINAL GUIDE

X224 THROUGH X232 TERMINAL GUIDE

X233 THROUGH X241 TERMINAL GUIDE

X242 THROUGH X250 TERMINAL GUIDE

X251 THROUGH X259 TERMINAL GUIDE

X260 THROUGH X268 TERMINAL GUIDE

X269 THROUGH X277 TERMINAL GUIDE

X278 THROUGH X286 TERMINAL GUIDE

X287 THROUGH X295 TERMINAL GUIDE

X296 THROUGH X304 TERMINAL GUIDE

X305 THROUGH X313 TERMINAL GUIDE

X314 THROUGH X322 TERMINAL GUIDE

X323 THROUGH X331 TERMINAL GUIDE

X332 THROUGH X340 TERMINAL GUIDE

X341 THROUGH X349 TERMINAL GUIDE

X350 THROUGH X358 TERMINAL GUIDE

X359 THROUGH X367 TERMINAL GUIDE

X368 THROUGH X376 TERMINAL GUIDE

X377 THROUGH X385 TERMINAL GUIDE

X386 THROUGH X394 TERMINAL GUIDE

X395 THROUGH X403 TERMINAL GUIDE

X404 THROUGH X412 TERMINAL GUIDE

X413 THROUGH X421 TERMINAL GUIDE

X422 THROUGH X430 TERMINAL GUIDE

X431 THROUGH X439 TERMINAL GUIDE

X440 THROUGH X448 TERMINAL GUIDE

X449 THROUGH X457 TERMINAL GUIDE

X458 THROUGH X466 TERMINAL GUIDE

X467 THROUGH X475 TERMINAL GUIDE

X476 THROUGH X484 TERMINAL GUIDE

X485 THROUGH X493 TERMINAL GUIDE

X494 THROUGH X502 TERMINAL GUIDE

X503 THROUGH X511 TERMINAL GUIDE

X512 THROUGH X520 TERMINAL GUIDE

X521 THROUGH X529 TERMINAL GUIDE

X530 THROUGH X538 TERMINAL GUIDE

X539 THROUGH X547 TERMINAL GUIDE

X548 THROUGH X556 TERMINAL GUIDE

X557 THROUGH X565 TERMINAL GUIDE

X566 THROUGH X574 TERMINAL GUIDE

X575 THROUGH X583 TERMINAL GUIDE

X584 THROUGH X592 TERMINAL GUIDE

X593 THROUGH X601 TERMINAL GUIDE

X602 THROUGH X610 TERMINAL GUIDE

X611 THROUGH X619 TERMINAL GUIDE

X620 THROUGH X628 TERMINAL GUIDE

X629 THROUGH X637 TERMINAL GUIDE

X638 THROUGH X646 TERMINAL GUIDE

X647 THROUGH X655 TERMINAL GUIDE

X656 THROUGH X664 TERMINAL GUIDE

X665 THROUGH X673 TERMINAL GUIDE

X674 THROUGH X682 TERMINAL GUIDE

X683 THROUGH X691 TERMINAL GUIDE

X692 THROUGH X700 TERMINAL GUIDE

X701 THROUGH X709 TERMINAL GUIDE

X710 THROUGH X718 TERMINAL GUIDE

X719 THROUGH X727 TERMINAL GUIDE

X728 THROUGH X736 TERMINAL GUIDE

X737 THROUGH X745 TERMINAL GUIDE

X746 THROUGH X754 TERMINAL GUIDE

X755 THROUGH X763 TERMINAL GUIDE

X764 THROUGH X772 TERMINAL GUIDE

X773 THROUGH X781 TERMINAL GUIDE

X782 THROUGH X790 TERMINAL GUIDE

X791 THROUGH X799 TERMINAL GUIDE

X800 THROUGH X808 TERMINAL GUIDE

X809 THROUGH X817 TERMINAL GUIDE

X818 THROUGH X826 TERMINAL GUIDE

X827 THROUGH X835 TERMINAL GUIDE

X836 THROUGH X844 TERMINAL GUIDE

X845 THROUGH X853 TERMINAL GUIDE

X854 THROUGH X862 TERMINAL GUIDE

X863 THROUGH X871 TERMINAL GUIDE

X872 THROUGH X880 TERMINAL GUIDE

X881 THROUGH X889 TERMINAL GUIDE

X890 THROUGH X898 TERMINAL GUIDE

X899 THROUGH X907 TERMINAL GUIDE

X908 THROUGH X916 TERMINAL GUIDE

X917 THROUGH X925 TERMINAL GUIDE

X926 THROUGH X934 TERMINAL GUIDE

X935 THROUGH X943 TERMINAL GUIDE

X944 THROUGH X952 TERMINAL GUIDE

X953 THROUGH X961 TERMINAL GUIDE

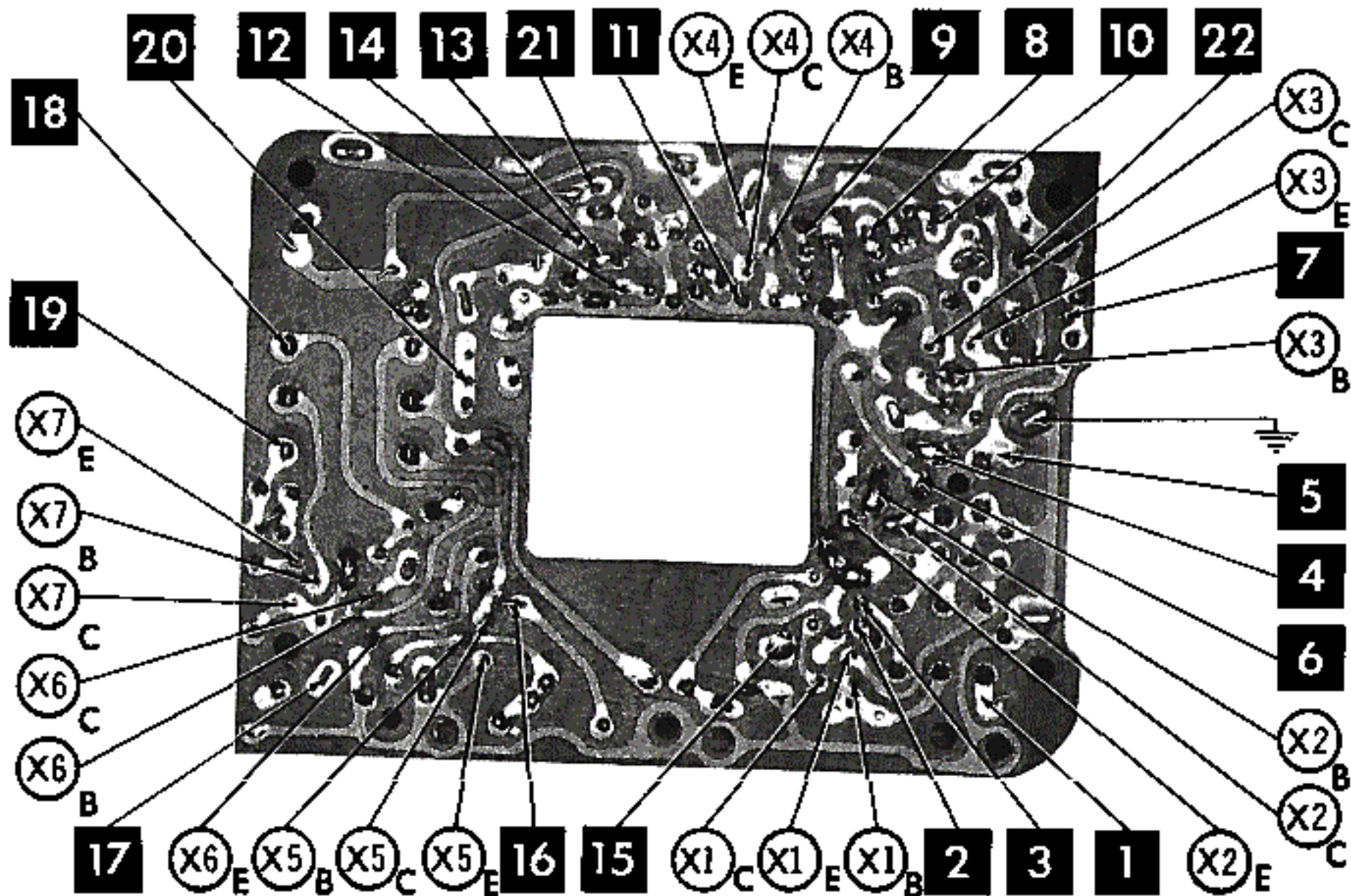
X962 THROUGH X970 TERMINAL GUIDE

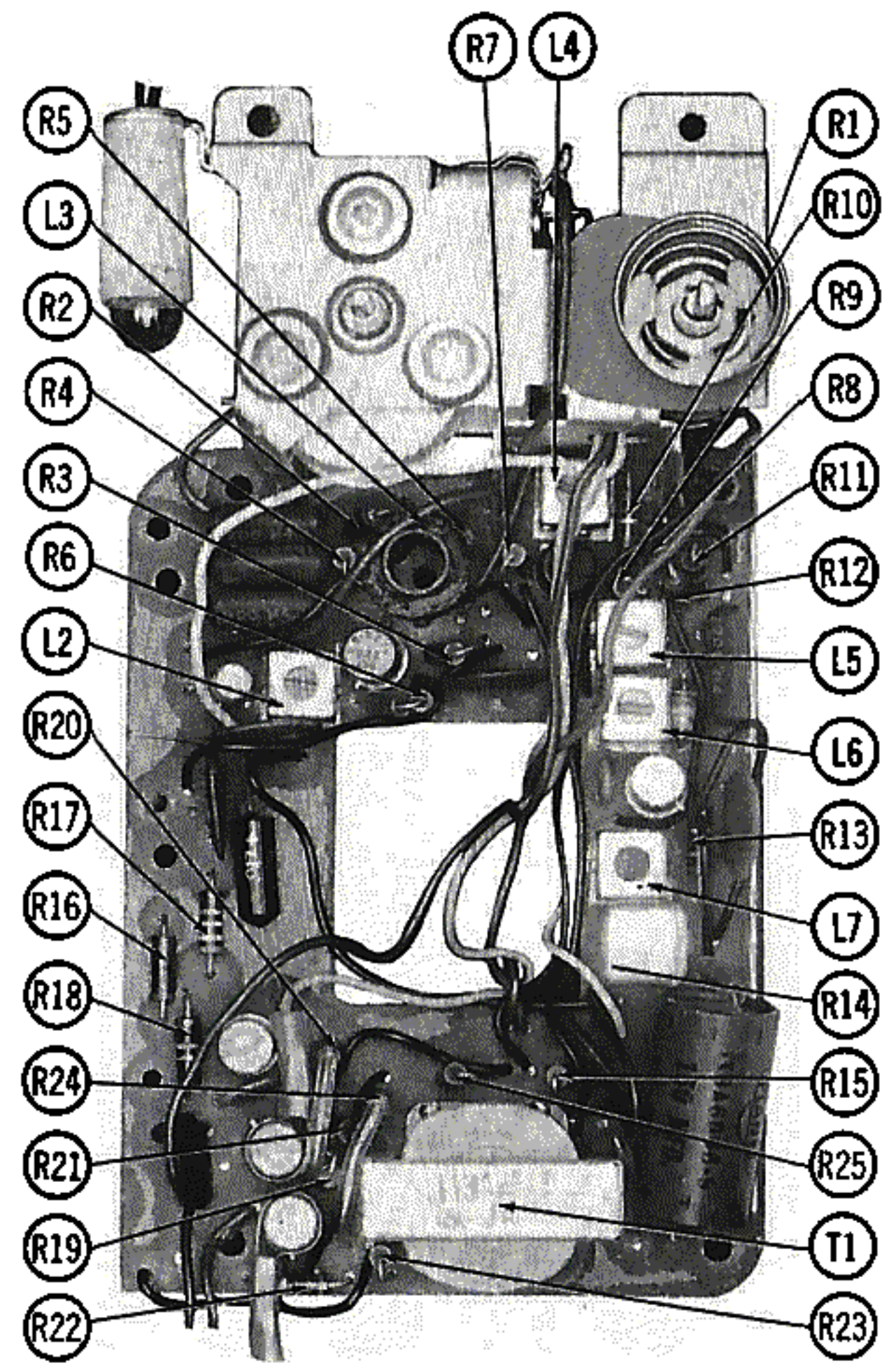
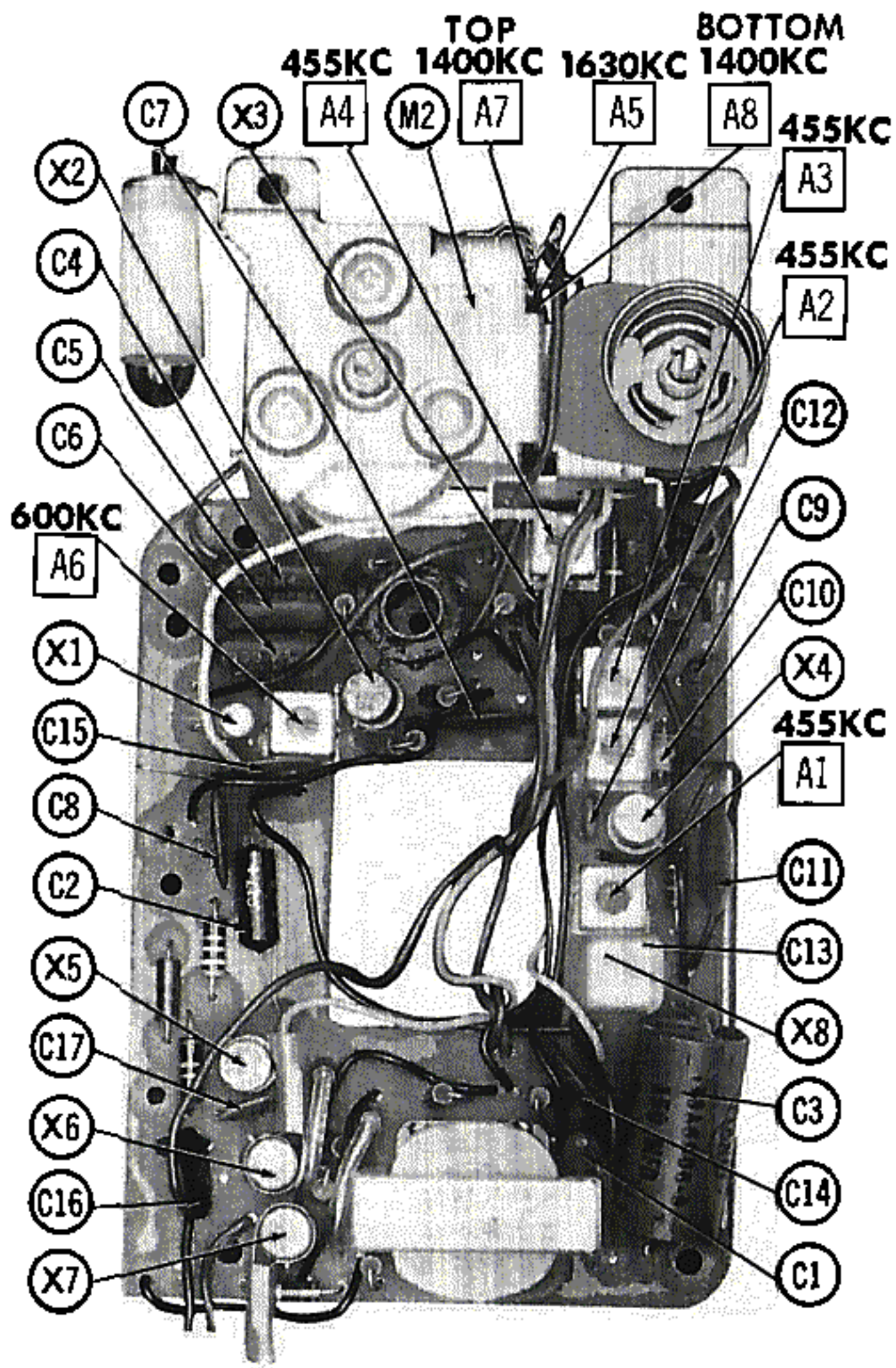
X971 THROUGH X979 TERMINAL GUIDE

X980 THROUGH X988 TERMINAL GUIDE

X989 THROUGH X997 TERMINAL GUIDE

X998 THROUGH X999 TERMINAL GUIDE





ALIGNMENT, CAPACITOR & MISC.

CHASSIS - TOP VIEW

RESISTOR & INDUCTOR

WIRING DATA

General-use Unshielded Hook-up Wire	Use BELDEN No. 8530 (Solid 22AWG)	Available
	8524 (Stranded 22AWG)	in
	8570 (Stranded 26AWG)	12 Colors

TRANSISTORS

ITEM No.	MFGR. Part No.	USE	REPLACEMENT DATA			NOTES
			DELCO PART No.	GENERAL ELECTRIC PART No.	RCA PART No.	
X1	RS-1554	RF Amplifier	DS25	GE-1		PNP (2N1632)
X2	RS-3277	Converter	DS25	GE-1		PNP
	RS-2683*	Converter	DS25			PNP
	RS-2688*	Converter	DS25	GE-1	2N412	PNP
X3	RS-3309	1st IF Amplifier	DS25	GE-1		PNP
	RS-3278*	1st IF Amplifier	DS25	GE-1	2N410	PNP
	RS-2684*	1st IF Amplifier	DS25			PNP
	RS-2687*	1st IF Amplifier	DS25	GE-1	2N410	PNP
X4	RS-3279	2nd IF Amplifier	DS25	GE-1		PNP
	RS-2685*	2nd IF Amplifier	DS25			PNP
	RS-2688*	2nd IF Amplifier	DS25	GE-1	2N410	PNP
X5	RS-2675	Driver	DS26	GE-2	2N408	PNP
X6	RS-3282	Output	DS26	GE-2	2N270	PNP
	RS-3289*	Output		GE-8	2N649	NPN (2N1059)
X7	RS-3282	Output	DS26	GE-2	2N270	PNP
	RS-3289*	Output		GE-8	2N649	NPN (2N1059)

* Alternate

POWER RECTIFIERS & SIGNAL DIODES

ITEM No.	CURRENT RATING (Measured)	ORIGINAL Part or Type No.	RECTIFIERS		DIODES	NOTES
			RCA PART No.	SARKES TARZIAN PART No.		
X8		RS-1811				Detector

D DESCRIPTION

ELECTROLYTIC CAPACITORS

ITEM No.	RATING		REPLACEMENT DATA						
	CAP.	VOLT.	G. E. PART No.	AEROVOX PART No.	CORNELL-DUBILIER PART No.	GENERAL ELECTRIC PART No.	MALLORY PART No.	PYRAMID PART No.	SPRAGUE PART No.
C1	6	15	RS-2814	PTT64	NLW6-15	MT1-3	TT25X8	MLV5-15	TE-1153
C2	2	50	RS-2815	PTT88	NLW2-50	MT1-1	TT50X2	MLV2-50	TE-1301
C3	150	12	RS-3246	CRE428	MLW150-16	MT1-23	TT12X150	MLV150-12	TE-1136

FIXED CAPACITORS

ITEM No.	RATING	REMARKS	REPLACEMENT DATA					
			AEROVOX PART No.	CENTRALAB PART No.	CORNELL-DUBILIER PART No.	ELMENCO PART No.	MALLORY PART No.	SPRAGUE PART No.
C4	.047 50V		BE2S47	DDA-503	H05S5	1DP-2-473	GP150	TG-S50
C5	.047 50V		BE2S47	DDA-503	H05S5	1DP-20473	GP150	TG-S50
C6	.047 50V		BE2S47	DDA-503	H05S5	1DP-2-473	GP150	TG-S50
C7	.01		TTD-01	DM-103	H05S1	CCD-103	GP110	TG-S10
C8	.01		TTD-01	DM-103	H05S1	CCD-103	GP110	TG-S10
C9	.047 50V		BE2S47	DDA-503	H05S5	1DP-2-473	GP150	TG-S50
C10	1.5 10%	(2) †	CI-1.5	TCZ-1R5	C10V15C		CNO-515	10TCC-V15
C11	.05		TTD-05	DDA-503	H05S5	1DP-2-503	GP150	TG-S50
C12	5.6 10%	(3.3) †		DD-080	C10V8C			10TCC-V56
C13	.01		TTD-01	DM-103	H05S1	CCD-103	GP110	TG-S10
C14	.02		TTD-02	DA-203	H05S2	CCD-203	GP120	TG-S20
C15	.02	(.01) *	TTD-02	DA-203	H05S2	CCD-203	GP120	TG-S20
C16	.005	(.001) *	TTD-005	DM-502	H05D5	CCD-502	GP250	TG-D50
C17	.005		TTD-005	DM-502	H05D5	CCD-502	GP250	TG-D50

† Value used when X4 is Part #RS-2688.

* Alternate Value

CONTROLS

All wattages 1/2 watt, or less, unless otherwise listed.

ITEM No.	USE	RESISTANCE	REPLACEMENT DATA				
			G. E. PART No.	CENTRALAB PART No.	CLAROSTAT PART No.	CTS-IRC PART No.	MALLORY PART No.
RIA B	Tone Volume & Switch	2meg 50K	RS-3334				

PARTS LIST AND DESC

RESISTORS

All wattages 1/2 watt, or less, unless otherwise listed.

ITEM No.	RATING	REPLACEMENT DATA			ITEM No.	RATING	REPLACEMENT DATA		
		IRC PART No.	WORKMAN PART No.	REMARKS			IRC PART No.	WORKMAN PART No.	REMARKS
R2	1200Ω				R14	2200Ω			
R3	27K				R15	22K			
R4	6800Ω				R16	1500Ω			
R5	33K				R17	390K			
R6	2200Ω				R18	10K			
R7	6800Ω				R19	100Ω			
R8	220Ω				R20	2.7Ω			
R9	150K				R21	1500Ω			
R10	220Ω				R22	1500Ω			
R11	1500Ω				R23	100Ω			
R12	47K				R24	2.7Ω			
R13	180Ω				R25	220Ω			

COILS (RF-IF)

ITEM No.	USE	REPLACEMENT DATA					NOTES
		G. E. PART No.	Merit PART No.	Miller PART No.	Stancor PART No.	Workman PART No.	
L1	Loopstick	RS-3332					
L2	RF	RS-3333					
L3	Osc.	RS-3248					
L4	1st IF	RS-2977					
L5	2nd IF Pri.	RS-3249					
L6	2nd IF Sec.	RS-3250					
L7	3rd IF	RS-2978	BC-576				

TRANSFORMER (DRIVER)

ITEM No.	TURNS RATIO		REPLACEMENT DATA					NOTES
	PRI.	SEC1	G. E. PART No.	MERIT PART No.	STANCOR PART No.	THORDARSON PART No.	TRIAD PART No.	
T1	1	1	RS-3251					
		SEC 2						
		1						

DESCRIPTION (CONTINUED)

SPEAKER

ITEM No.	TYPE			REPLACEMENT DATA		NOTES
				G. E. PART No.	QUAM PART No.	
	SIZE	FIELD	V. C. IMP.			
SP1	4"		25Ω	RB-1212	4A07Z25	Magnetic Type

BATTERIES

ITEM No.	VOLTAGE	G. E. PART No.	REPLACEMENT DATA						NOTES
			BURGESS		EVEREADY		MALLORY		
			"A"	"B"	"A"	"B"	"A"	"B"	
M1	1½V			130		635		M-14R	6 Required

MISCELLANEOUS

ITEM No.	PART NAME	G. E. PART No.	NOTES
M2 M3	Tuning Cap Switch	RS-3330	3 Gang Pilot Light

CABINETS & CABINET PARTS

(When Ordering Cabinets & Cabinet Parts, Specify Model, Chassis & Color)

NAME	PART NO.	DESCRIPTION
Knob	RS-3229	Tone
Knob	RS-3231	Vernier Tuning
Knob	RS-3227	Volume
Button	RS-2206	Pilot Light
Cabinet	RB-1219	