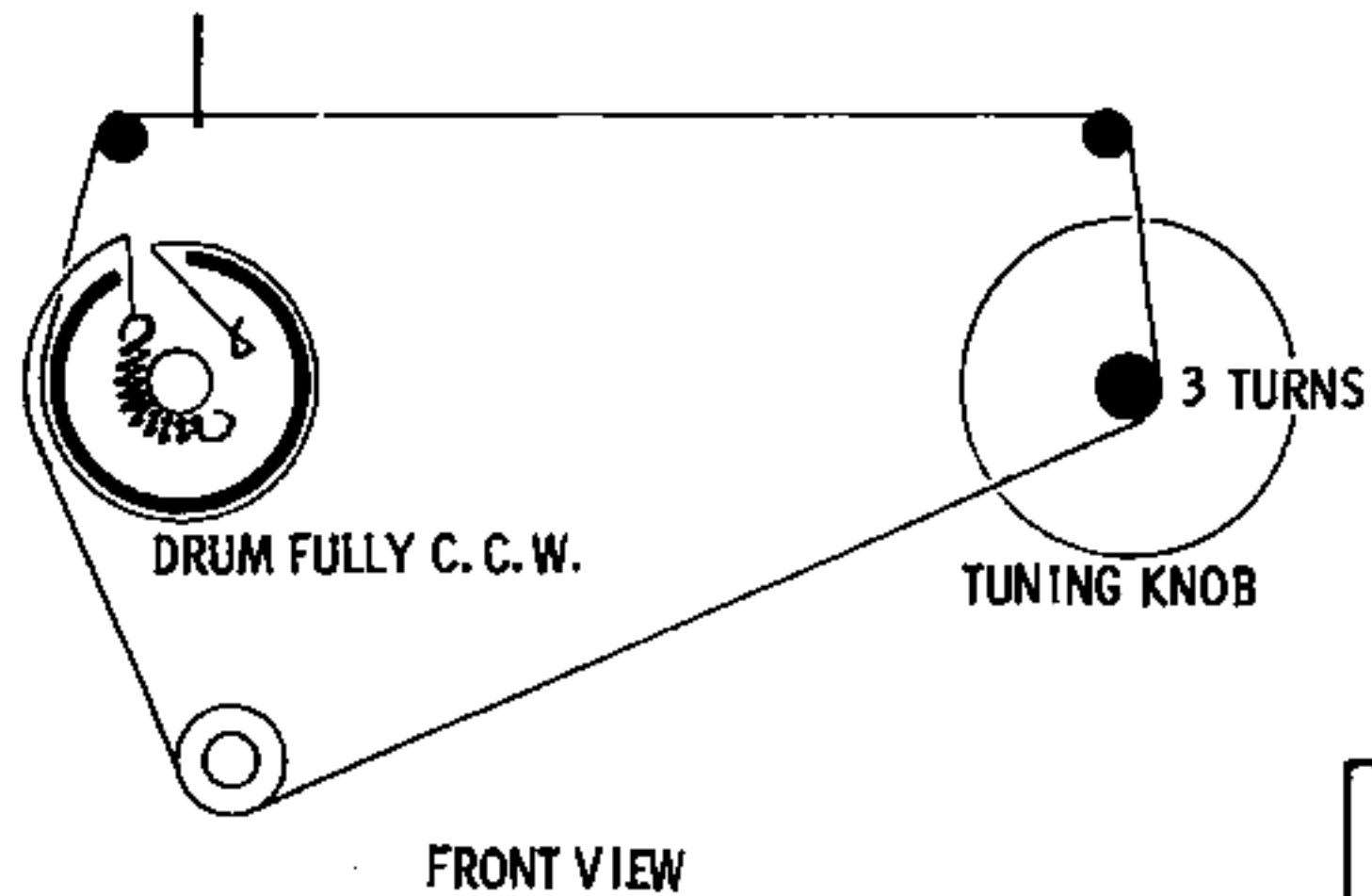


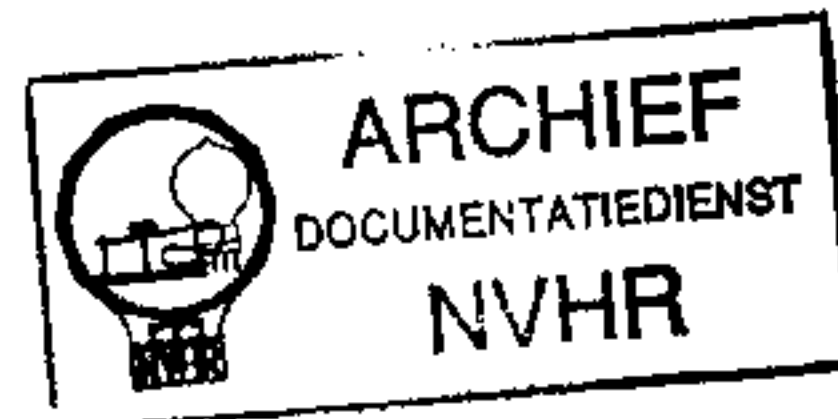
DIAL CORD STRINGING



MODEL P830E



Ned. Ver. v. Historie v/d Radio



Met dank aan Jef Bos

TRADE NAME	General Electric Models P830E, P831E, P832E		
MANUFACTURER	General Electric Co., Product Service, Radio Receiver Dept., 1001 Broad Street, Utica, N. Y.		
TYPE SET	Battery Operated 6 Transistor Portable AM Receiver		
POWER SUPPLY	9 Volts DC	RATING	9MA @ 9 Volts DC (No Signal, Min. Volume) 12MA @ 9 Volts DC (Signal, Normal Volume)
TUNING RANGE—BROADCAST	540 — 1620KC		

ALIGNMENT INSTRUCTIONS

ALIGNMENT INSTRUCTIONS—READ CAREFULLY BEFORE ATTEMPTING ALIGNMENT

Use only enough generator output to provide a usable indication.

Suggested Alignment Tools:

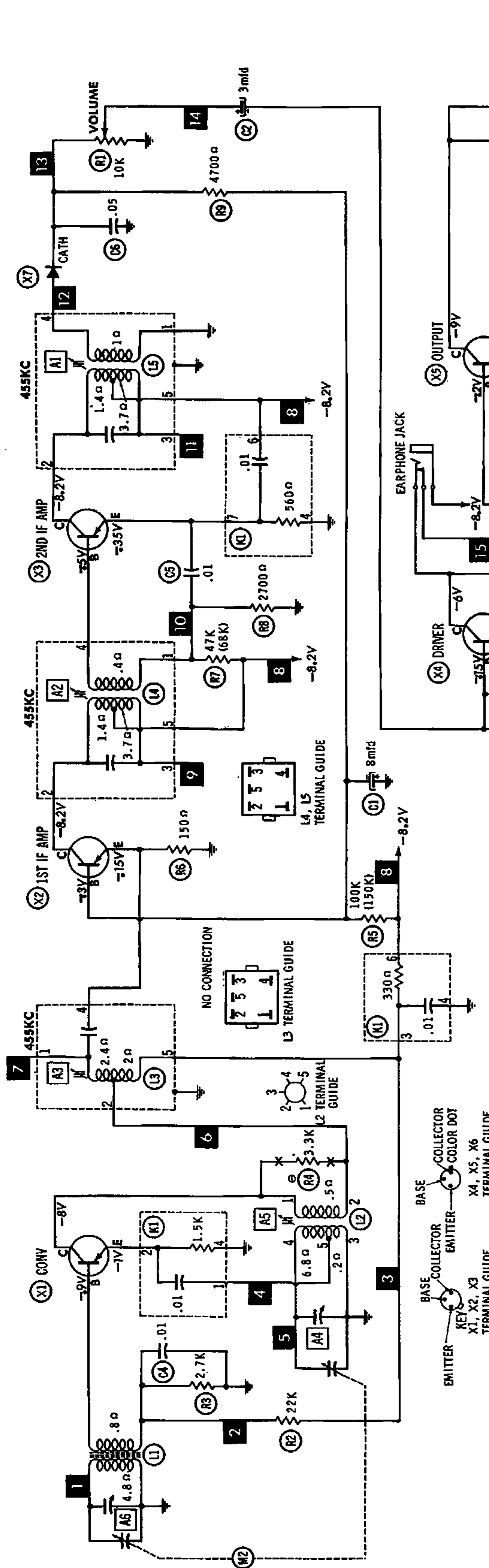
- A1, A2, A3..... GENERAL CEMENT #5000, 5003, 5066, 8276, 8290, 9087, 9089
WALSCO #2512, 2525, 2528
- A4, A6..... GENERAL CEMENT #5004, 5009, 8195, 8274, 8275, 8607, 8728, 8987, 8988, 8989, 9291
WALSCO #2516, 2520, 2522, 2523, 2531, 2532, 2534, 2537, 2538

	SIGNAL GENERATOR COUPLING	SIGNAL GENERATOR FREQUENCY	RADIO DIAL SETTING	CONNECT VTVM	ADJUST	REMARKS
1.	Fashion loop of several turns of wire and radiate signal into loop of receiver.	455KC (Unmod.)	Tuning gang fully open.	Across volume control.	A1, A2, A3	Adjust for maximum deflection.
2.	"	1630KC	"	"	A4	"
3.	"	580KC	580KC Signal.	"	A5	Adjust for maximum deflection while rocking tuning gang. Repeat Steps 2 & 3.
4.	"	1400KC	1400KC Signal.	"	A6	Adjust for maximum deflection.

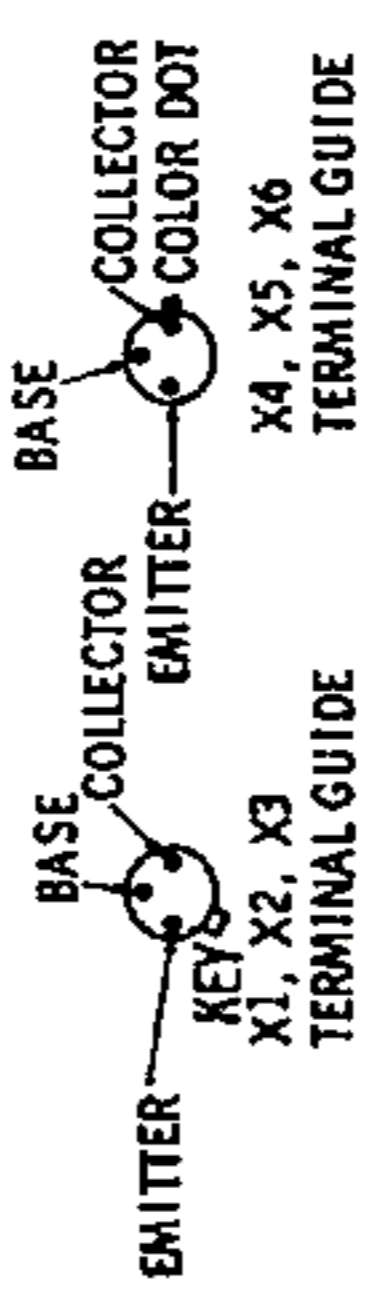
HOWARD W. SAMS & CO., INC. Indianapolis 6, Indiana

The listing of any available replacement part herein does not constitute in any case a recommendation, warranty or guaranty by Howard W. Sams & Co., Inc., as to the quality and suitability of such replacement part. The numbers of these parts have been compiled from information furnished to Howard W. Sams & Co., Inc., by the manufacturers of

the particular type of replacement part listed. Reproduction or use, without express permission, of editorial or pictorial content, in any manner, is prohibited. No patent liability is assumed with respect to the use of the information contained herein. © 1962 Howard W. Sams & Co., Inc., Indianapolis 6, Indiana. Printed in U.S. of America



SEE PARTS LIST FOR ALTERNATE VALUE OR APPLICATION

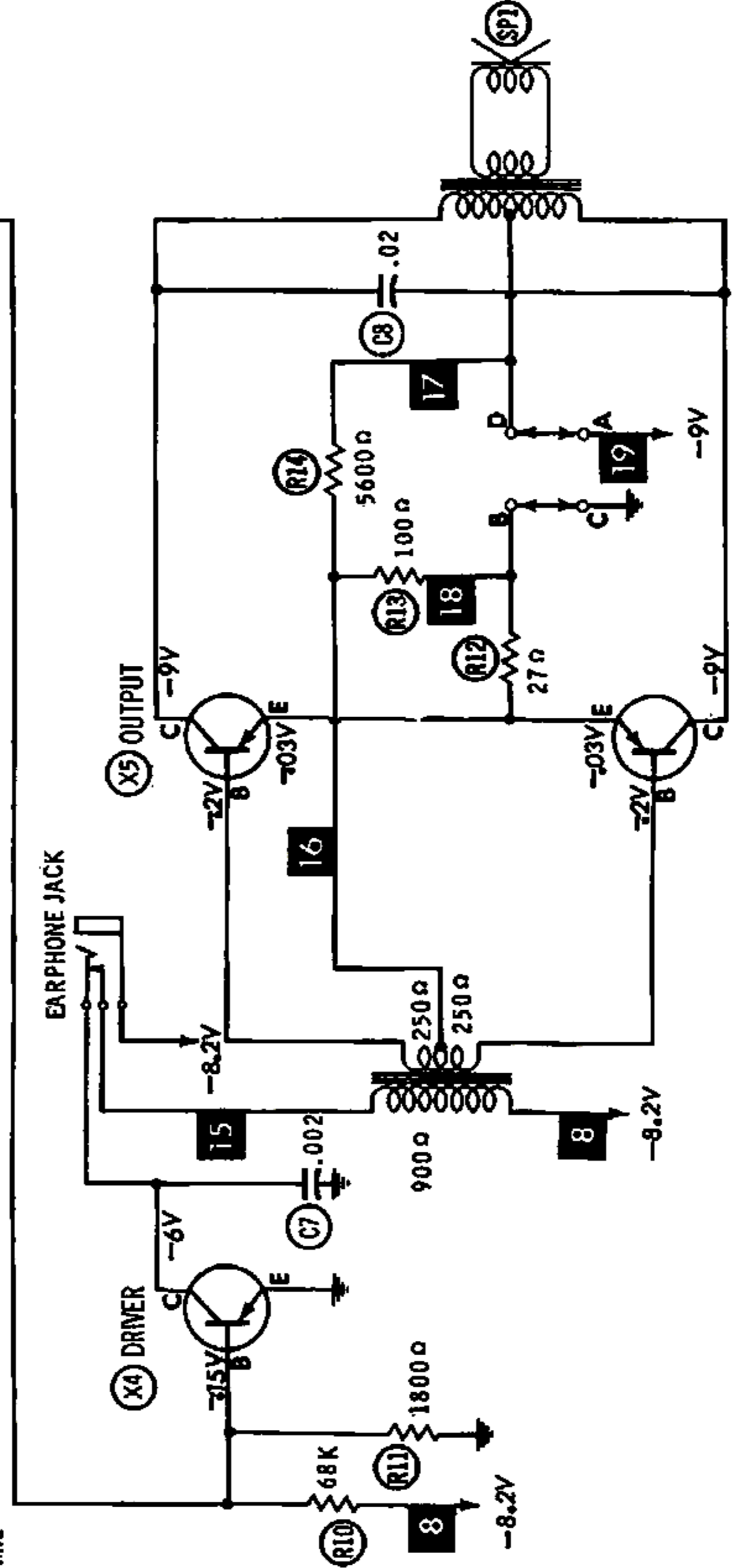


RESISTANCE MEASUREMENTS NOT GIVEN BECAUSE OF THE WIDE VARIATION IN INTERNAL TRANSISTOR RESISTANCE.

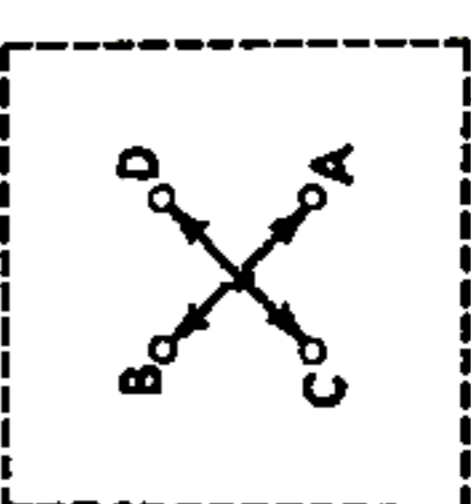
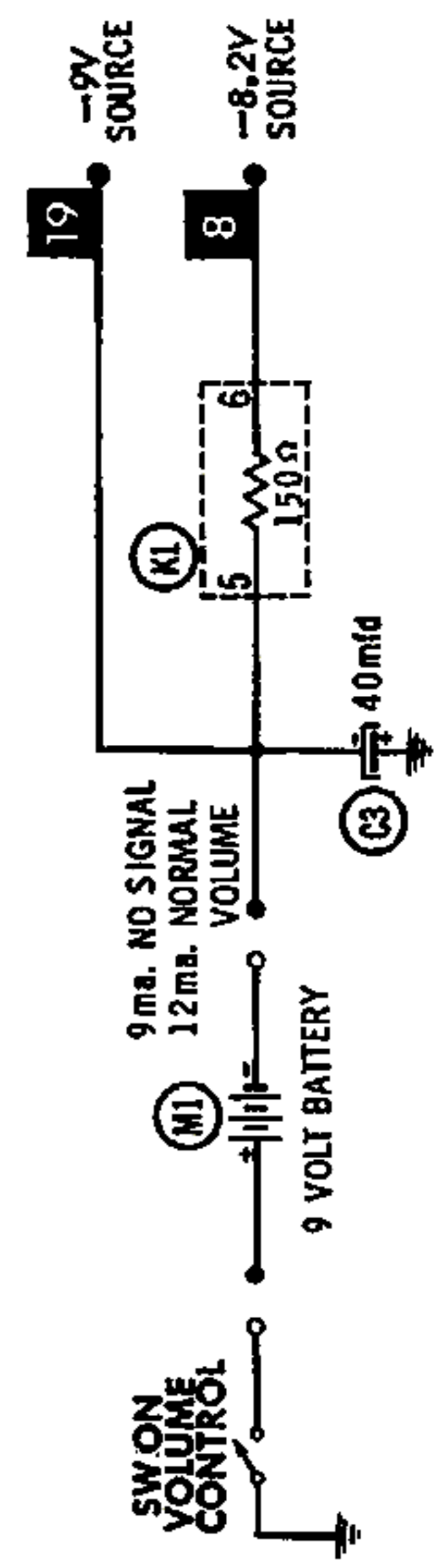
NUMBERS ASSIGNED TO COILS, SWITCHES, PLUGS, SOCKETS, AND TRANSFORMERS ARE TO FACILITATE CIRCUIT TRACING OR COMPONENT REPLACEMENT AND MAY NOT NECESSARILY BE FOUND ON THE UNIT.

1. DC voltage measurements taken with vacuum tube voltmeter.
2. Socket connections or transistor terminals are shown as bottom views.
3. Measured values are from socket pin or terminal to common ground.
4. Nominal tolerance on component values makes possible a variation of $\pm 15\%$ in voltage and resistance readings.
5. Volume control at maximum, no signal applied for voltage measurements.

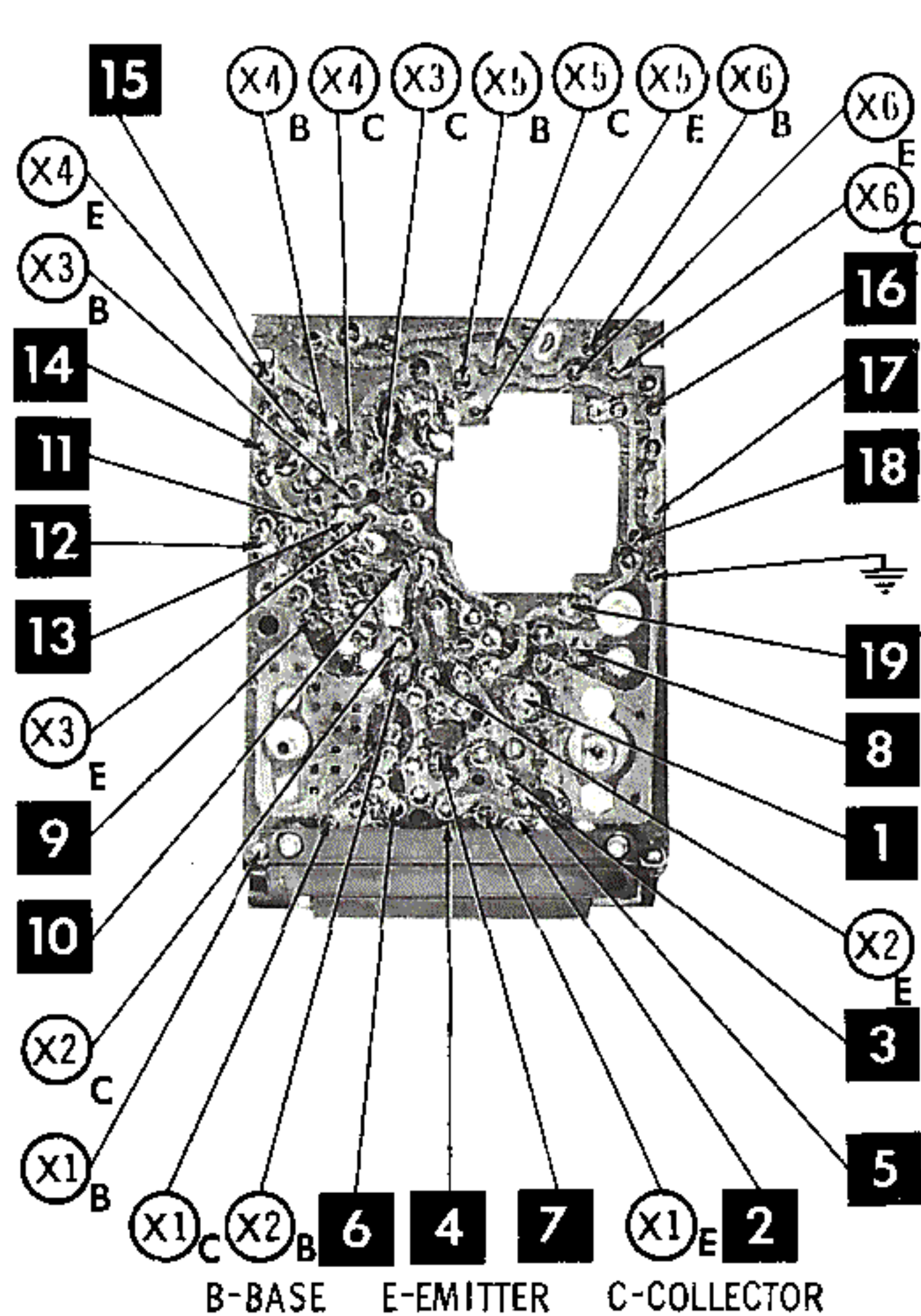
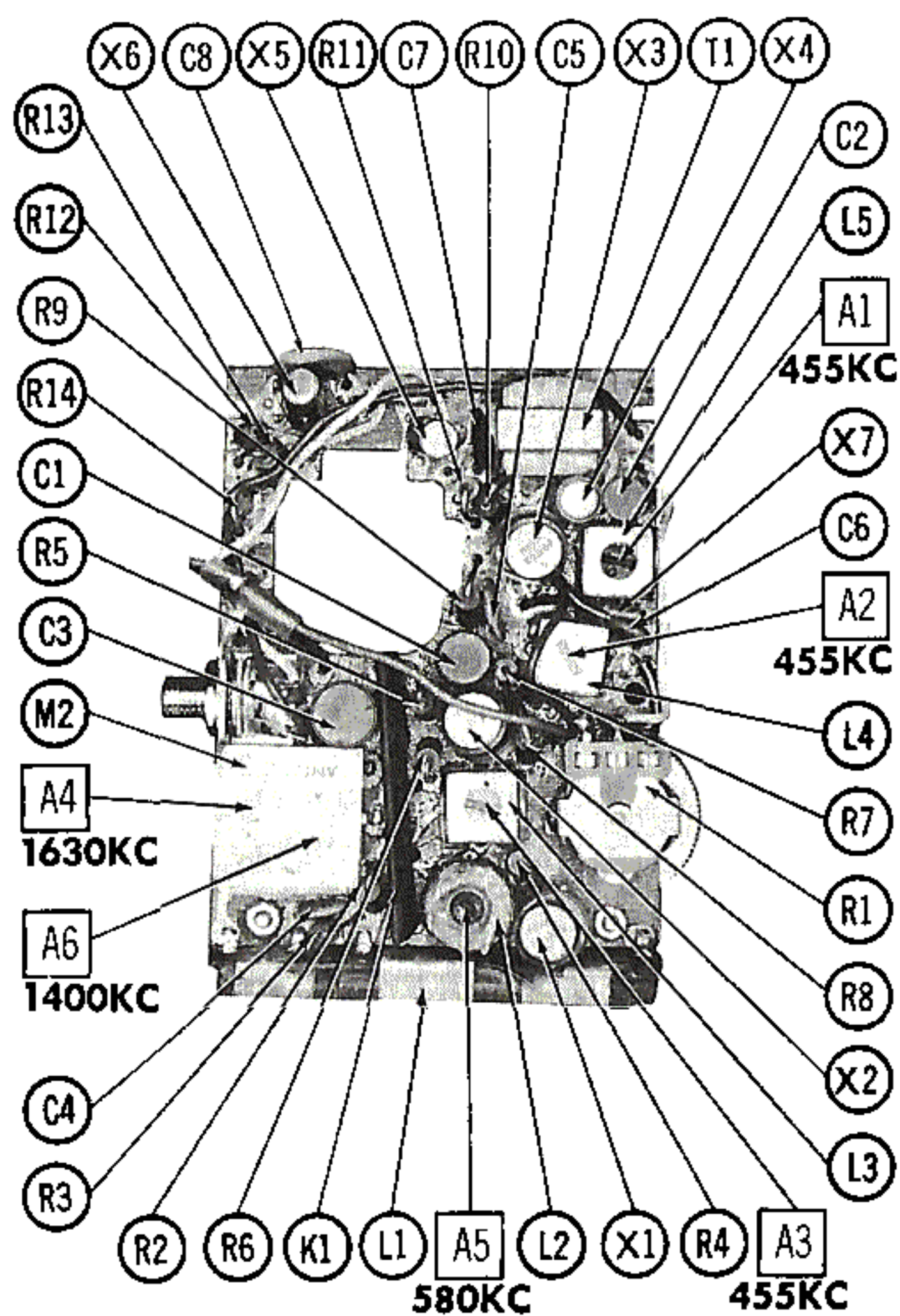
A PHOTOFACT STANDARD NOTATION SCHEMATIC with CIRCUITRAGE



GENERAL ELECTRIC MODELS P830E, P831E, P832E



CONNECTION FOR NPN OUTPUT TRANSISTORS



PRINTED BOARD

TRANSISTORS

ITEM No.	MFR. PART NO.	USE	REPLACEMENT DATA		NOTES
			RCA PART No.	RAYTHEON PART No.	
X1	RS2686	Converter	2N412	2N486	PNP
X2	RS2687	1st IF Amplifier	2N410	2N483	PNP
X3	RS2688	2nd IF Amplifier	2N410	2N483	PNP
X4	2N406	Driver	2N406	2N362	PNP
X5	RS1543*	Driver			PNP
	RS2354	Output	2N408		PNP
	RS2352*	Output			PNP
	RS2355*	Output			PNP
X6	RS1549*	Output			NPN
	RS2354	Output	2N408		PNP
	RS2352*	Output			PNP
	RS2355*	Output			PNP
	RS1549*	Output			NPN

* Used in some versions.

POWER RECTIFIERS & SIGNAL DIODES

ITEM No.	CURRENT RATING (Measured)	ORIGINAL Part or Type No.	RECTIFIERS		DIODES	NOTES
			RCA PART No.	SARKES TARZIAN PART No.	RAYTHEON PART No.	
X7		RS-1811			1N60	Detector (1N64)

ELECTROLYTIC CAPACITORS

ITEM No.	RATING		G. E. PART No.	REPLACEMENT DATA					
	CAP.	VOLT.		AEROVOX PART No.	CORNELL-DUBILIER PART No.	GENERAL ELECTRIC PART No.	MALLORY PART No.	PYRAMID PART No.	SPRAGUE PART No.
C1	8	12	RS-2285	BCD12008	ECPB407	MT1-5			TE-1127, 3
C2	3	50	RS-2984	BCD12003	ECPB403	MT1-3			TE-1122
C3	40	12	RS-2985			MT1-16			

FIXED CAPACITORS

ITEM No.	RATING	REMARKS	REPLACEMENT DATA					
			AEROVOX PART No.	CENTRALAB PART No.	CORNELL-DUBILIER PART No.	ELMENDO PART No.	MALLORY PART No.	SPRAGUE PART No.
C4	.01		C80V103AM	DM-103	H-05S1	CCD-103	TA-110	TG-S10
C5	.01		C80V103AM	DM-103	H-05S1	CCD-103	TA-110	TG-S10
C6	.05 10V		C80V503AM	DK10-503	HCC10503Z		TA-150	HY-310
C7	.002		BPD-002	DD-202	BYA10D2	CCD-202	B-220	5HK-D20
C8	.02		C80V203AM	DA-203	H-05S2		TA-120	TG-S20

CONTROLS

All wattages 1/2 watt, or less, unless otherwise listed.

ITEM No.	USE	RESISTANCE	REPLACEMENT DATA				
			G. E. PART No.	CENTRALAB PART No.	CLAROSTAT PART No.	CTS-IRC PART No.	MALLORY PART No.
R1	Volume	10K	RS-2982 (887B811-1)				

RESISTORS

All wattages 1/2 watt, or less, unless otherwise listed.

ITEM No.	RATING	REPLACEMENT DATA			ITEM No.	RATING	REPLACEMENT DATA		
		IRC PART No.	WORKMAN PART No.	REMARKS			IRC PART No.	WORKMAN PART No.	REMARKS
R2	22K				R9	4700Ω			
R3	2700Ω				R10	68K			
R4	3300Ω				R11	1800Ω			
R5	100K			Note 1 (150K)*	R12	27Ω			
R6	150Ω				R13	100Ω			
R7	47K			(68K)*	R14	5600Ω			
R8	2700Ω								

Note 1. Not used in some versions.

* Alternate Value.

DESCRIPTIONS

COILS (RF-IF)

ITEM No.	USE	REPLACEMENT DATA					NOTES
		G. E. PART No.	Merit PART No.	Miller PART No.	Stancor PART No.	Workman PART No.	
L1	Loopstick	RS-2981					
L2	Osc.	RS-2980					
L3	1st IF	RS-2977					
L4	2nd IF	RS-2978	BC-575				
L5	3rd IF	RS-2979	BC-576				

SPEAKER

ITEM No.	TYPE		REPLACEMENT DATA		NOTES
	SIZE	FIELD	G. E. PART No.	QUAM PART No.	
SP1	2 5/8"	Magnetic Speaker (800Ω @ 1000%)	RB-1195		

COMPONENT COMBINATIONS

ITEM No.	USE	DESCRIPTION	G. E. PART No.	REPLACEMENT DATA
K1	Blas-Bypass	(3) .01mfd, 150Ω, 330Ω, 560Ω, 1500Ω	RS-2983 (113A7600)	

BATTERIES

ITEM No.	VOLTAGE	G. E. PART No.	REPLACEMENT DATA						NOTES
			BURGESS		EVEREADY		MALLORY		
			"A"	"B"	"A"	"B"	"A"	"B"	
M1	9V			P6		226		M-1600	

MISCELLANEOUS

ITEM No.	PART NAME	G. E. PART No.	NOTES
M2	Tuning Cap.	RS-2972	2 Gang

CABINETS & CABINET PARTS

(When Ordering Cabinets & Cabinet Parts, Specify Model, Chassis & Color)

NAME	PART NO.	DESCRIPTION
Pointer	RS-2265	
Dial Glass	RS-2624	
Knob, Volume	RS-2973	
Knob, Tuning	RS-2260	
Cabinet Front	RB-1129	Charcoal, Model P830E
Cabinet Front	RB1130	Blue, Model P831E
Cabinet Back	RB-1193	Complete, Charcoal, Model P830E
Cabinet Back	RB-1194	Complete, Blue, Model P831E

WIRING DATA

General-use Unshielded Hook-up Wire	Use BELDEN No. 8530 (Solid 22AWG)	Available
	8524 (Stranded 22AWG)	in
	8570 (Stranded 26AWG)	12 Colors