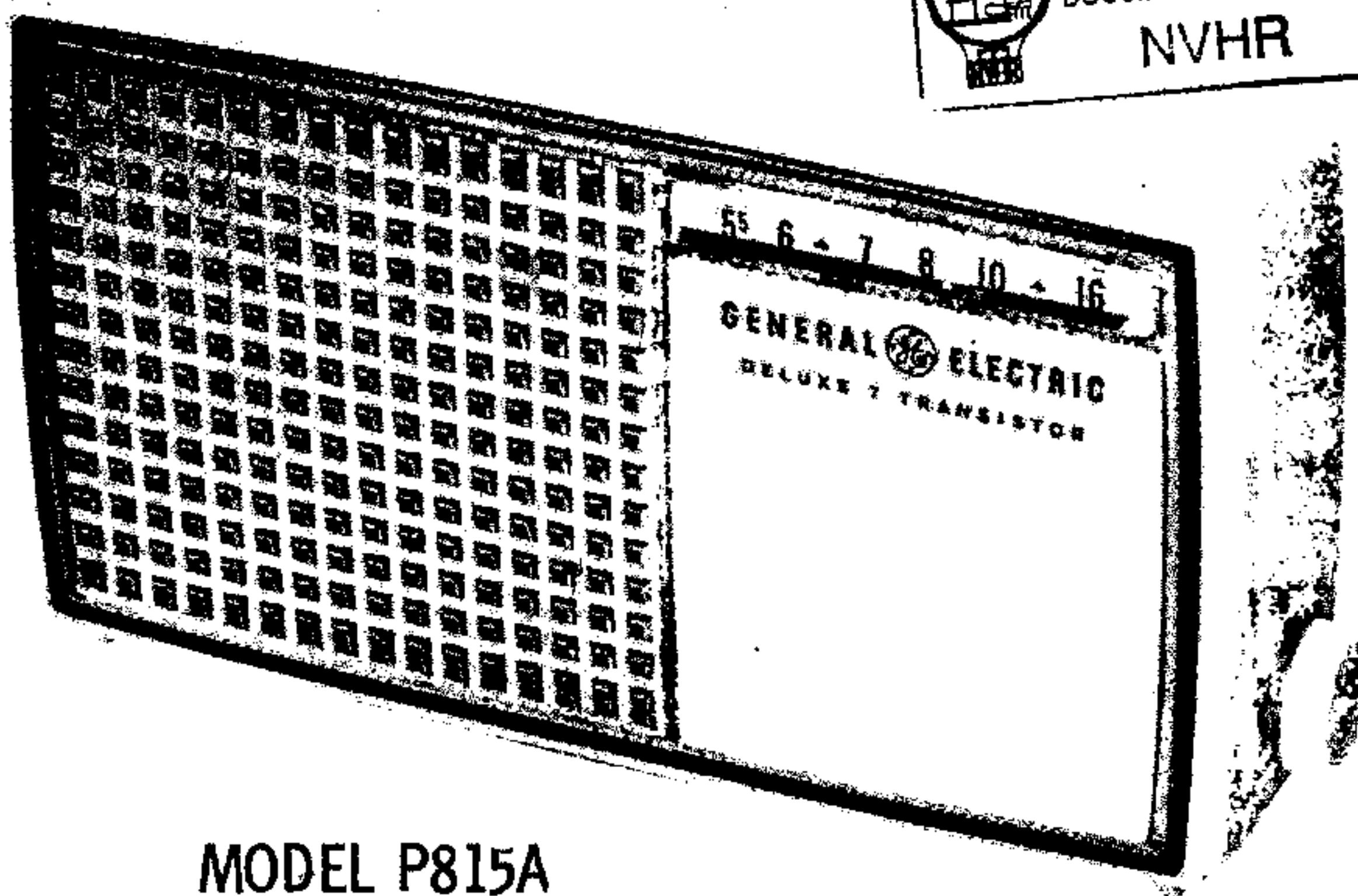
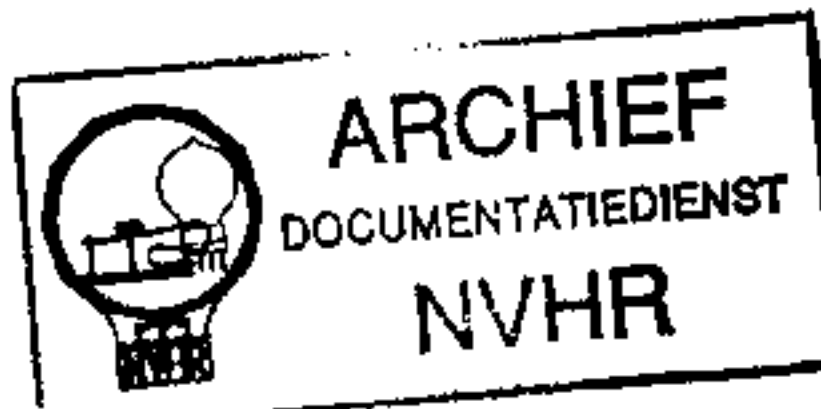


Met dank aan Jef Bos



MODEL P815A

TRADE NAME	General Electric Models P815A, P816A		
MANUFACTURER	General Electric Co., Product Service, Radio Receiver Dept., 869 Broad Street, Utica, N. Y.		
TYPE SET	Battery Operated Transistorized Portable AM Receiver		
POWER SUPPLY	9 Volts DC	RATING	8MA @ 9 Volts DC (No Signal, Min. Volume)
TUNING RANGE—BROADCAST	540 — 1800KC		15MA @ 9 Volts DC (Signal, Normal Volume)

ALIGNMENT INSTRUCTIONS

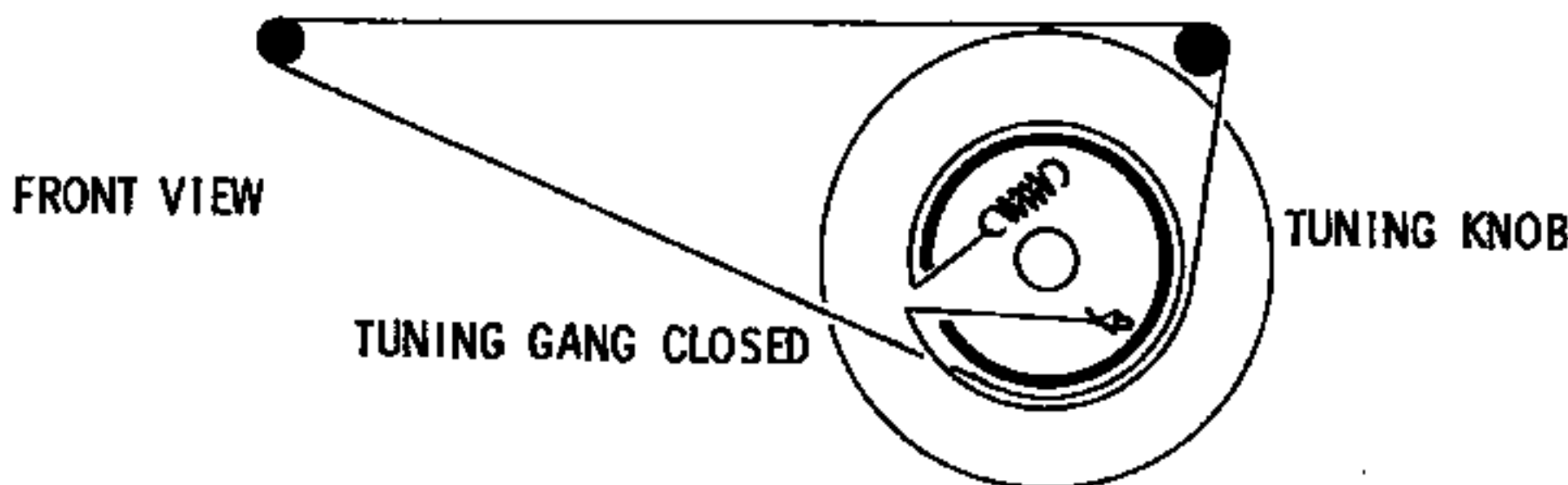
ALIGNMENT INSTRUCTIONS—READ CAREFULLY BEFORE ATTEMPTING ALIGNMENT

Volume control should be at maximum position. Output of signal generator should be no higher than necessary to obtain an output reading.

Suggested Alignment Tools: A1, A2, A3... GENERAL CEMENT #5004, 5009, 8195, 8274, 8275, 8607, 8728, 8987, 8988, 8989, 9291
WALSCO #2515, 2520, 2522, 2523, 2531, 2532, 2534, 2537, 2538
A4, A5..... GENERAL CEMENT #5004, 5008, 5009
WALSCO #2520
A6..... GENERAL CEMENT #5009, 8195, 8274, 8275, 8728, 8729, 8987, 8988, 8989
WALSCO #2515, 2531, 2532

	SIGNAL GENERATOR COUPLING	SIGNAL GENERATOR FREQUENCY	RADIO DIAL SETTING	OUTPUT METER	ADJUST	REMARKS
1.	Loop	455KC (400% Mod.)	Tuning gang fully open.	Across voice coil.	A1, A2, A3	Fashion loop of several turns of wire and radiate signal into loop of receiver. Adjust for maximum output.
2.	"	1630KC	"	"	A4	"
3.	"	1400KC	1400KC Signal.	"	A5	Adjust for maximum output while rocking tuning gang.
4.	"	580KC	580KC Signal.	"	A6	"

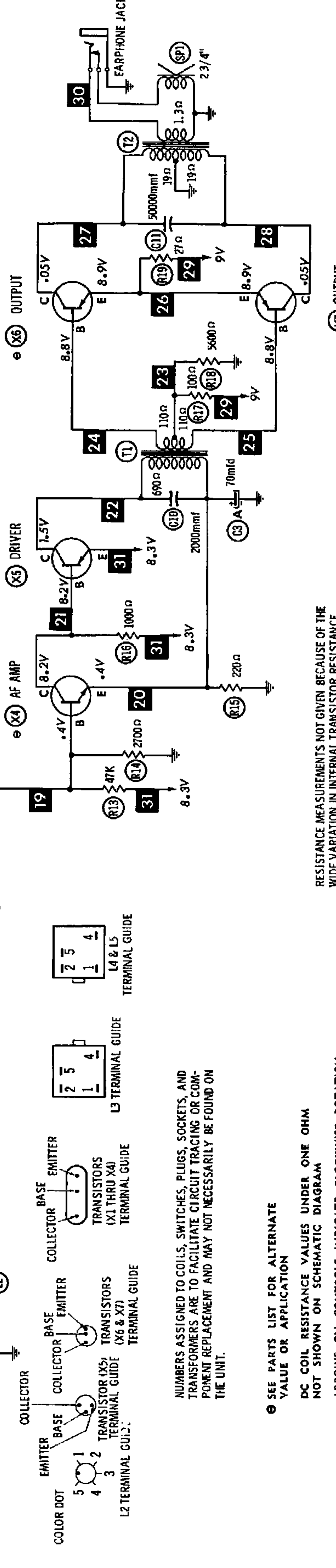
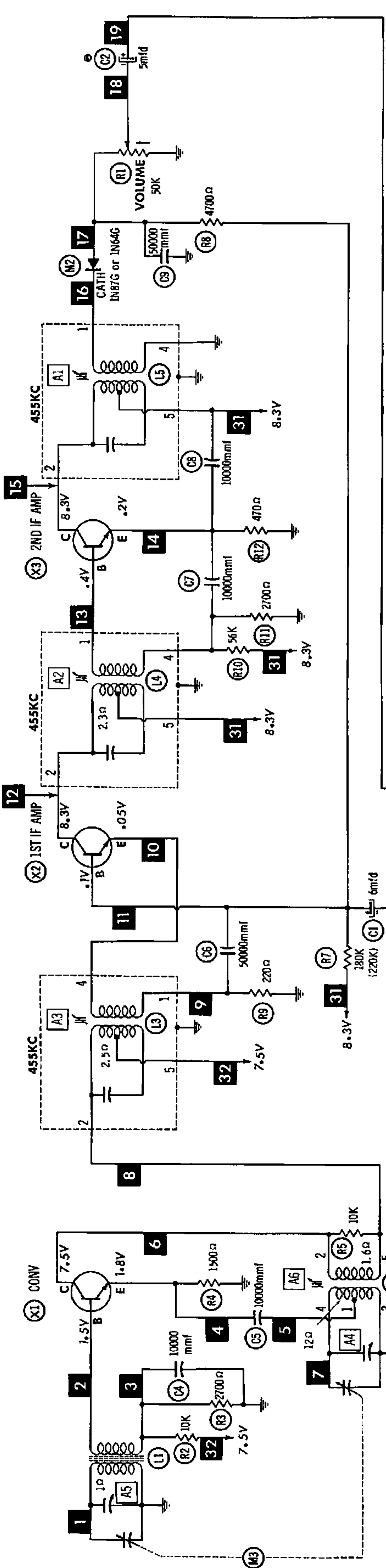
TUNING DRIVE CORD STRINGING



HOWARD W. SAMS & CO., INC. Indianapolis 6, Indiana

The listing of any available replacement part herein does not constitute in any case a recommendation, warranty or guaranty by Howard W. Sams & Co., Inc., as to the quality and suitability of such replacement part. The numbers of these parts have been compiled from information furnished to Howard W. Sams & Co., Inc., by the manufacturers of

the particular type of replacement part listed. Reproduction or use, without express permission, of editorial or pictorial content, in any manner, is prohibited. No patent liability is assumed with respect to the use of the information contained herein. © 1961 Howard W. Sams & Co., Inc., Indianapolis 6, Indiana. Printed in U.S. of America



Ⓞ SEE PARTS LIST FOR ALTERNATE VALUE OR APPLICATION
 DC COIL RESISTANCE VALUES UNDER ONE OHM NOT SHOWN ON SCHEMATIC DIAGRAM
 ARROWS ON CONTROLS INDICATE CLOCKWISE ROTATION (CONTROL VIEWED FROM SHAFT END)

RESISTANCE MEASUREMENTS NOT GIVEN BECAUSE OF THE WIDE VARIATION IN INTERNAL TRANSISTOR RESISTANCE

GENERAL ELECTRIC
 MODELS P815A, P816A

A PHOTOFACT STANDARD NOTATION SCHEMATIC with **CIRCUITRACE**
 © Howard W. Sams & Co., Inc. 1961

1. DC voltage measurements taken with vacuum tube voltmeter.
 2. Socket connections or transistor terminals are shown as bottom views.
 3. Measured values are from socket pin or terminal to common ground.
 4. Nominal tolerance on component values makes possible a variation of ±15% in voltage and resistance readings.
 5. Volume control at maximum, no signal applied for voltage measurements.

PARTS LIST AND DESCRIPTIONS

WIRING DATA

General-use Unshielded Hook-up Wire Use BELDEN No. 8530 (Solid) Available in Ten Colors
8524 (Stranded) Available in Ten Colors

TRANSISTORS

ITEM No.	MFGR. PART NO.	USE	REPLACEMENT DATA			NOTES
			RCA PART No.	RAYTHEON PART No.	SYLVANIA PART No.	
X1	RS-2364	Converter		2N1366		NPN NPN NPN NPN PNP PNP } Matched PNP } Pair
X2	RS-1547	1st IF Amp.		2N1367	2N94	
X3	RS-2365	2nd IF Amp.		2N1362		
X4	RS-2366†	AF Amp.				
X5	RS-2367	Driver	2N408	2N362		
X6	RS-2373*	Output	2N408	2N632		
X7	RS-2373*	Output	2N408	2N632		

† Alternate Part #RS-1513.

* Alternate Part #RS-2374, RS-2975.

ELECTROLYTIC CAPACITORS

ITEM No.	RATING		G. E. PART No.	REPLACEMENT DATA					NOTES
	CAP.	VOLT.		AEROVOX PART No.	CORNELL-DUBILIER PART No.	MALLORY PART No.	PYRAMID PART No.	SPRAGUE PART No.	
C1	6	15	RS-2614	XPP-15006	NLW6-25	TT25X6	ML6-15	TE-1153	①
C2	5	12	RS-2609	XPP-12005	NLW5-12	TT12X5	ML5-12	TE-1127	
C3A	70	6		BCD10X8080				VL-2350	
B	85	12							

① Some versions may use 2mfd @ 25V in this application (Part #RS-2615).

FIXED CAPACITORS

Capacity values given in the rating column are in mfd. for Paper Capacitors, and in mmfd. for Mica and Ceramic Capacitors.

ITEM No.	RATING	REMARKS	REPLACEMENT DATA					
			AEROVOX PART No.	CENTRALAB PART No.	CORNELL-DUBILIER PART No.	ELMENCO PART No.	MALLORY PART No.	SPRAGUE PART No.
C4	10000		C80V103AM	DM-103	H-05S1		TA-110	TG-S10
C5	10000		C80V103AM	DM-103	H-05S1		TA-110	TG-S10
C6	50000		C80V503AM	DDA-503	H-05S5		TA-150	TG-S50
C7	10000		C80V103AM	DM-103	H-05S1		TA-110	TG-S10
C8	10000		C80V103AM	DM-103	H-05S1		TA-110	TG-S10
C9	50000		C80V503AM	DDA-503	H-05S5		TA-150	TG-S50
C10	2000		BPD-002	DM-202	BYA10D2	CCD-102	B-220	5HK-D20
C11	50000		C80V503AM	DDA-503	H-05S5		TA-150	TG-S50

CONTROLS

ITEM No.	RATING		G. E. PART No.	REPLACEMENT DATA			INSTALLATION NOTES
	RESISTANCE	WATTS		CENTRALAB PART No.	CLAROSTAT PART No.	CTS-IRC PART No.	
R1	50K	1/4	RS-1993				Volume & Switch

RESISTORS (IRC or EQUIVALENT)

All wattages 1/2 watt, or less, unless otherwise listed.

ITEM No.	RATING	REMARKS
R2	10K	(220K) *
R3	2700Ω	
R4	1500Ω	
R5	10K	
R6	470Ω	
R7	180K	
R8	4700Ω	

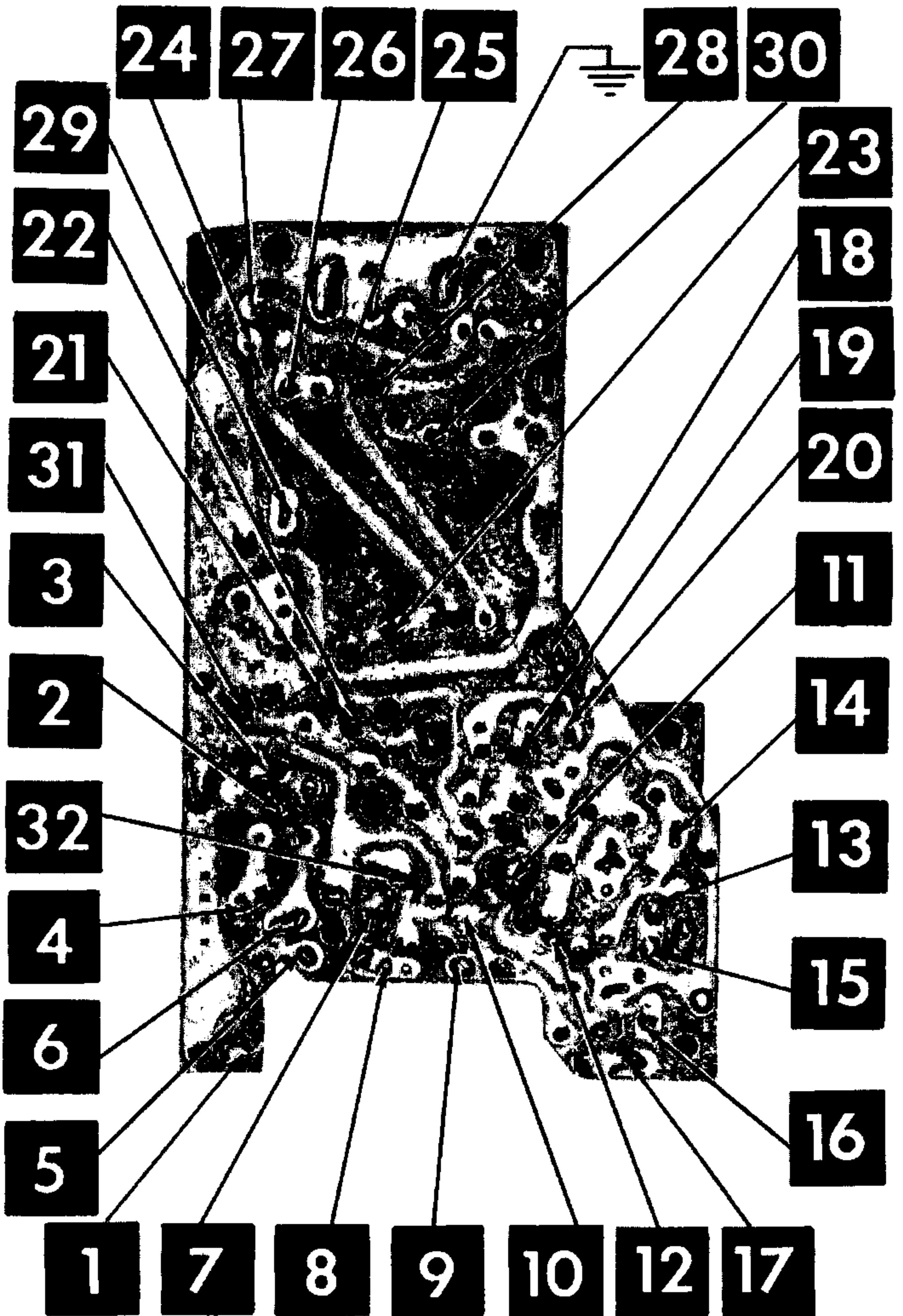
ITEM No.	RATING	REMARKS
R9	220Ω	
R10	56K	
R11	2700Ω	
R12	470Ω	
R13	47K	
R14	2700Ω	
R15	220Ω	

ITEM No.	RATING	REMARKS
R16	1000Ω	
R17	100Ω	
R18	5600Ω	
R19	27Ω	
R20	150Ω	

* Used when X2 is 2N94-362.

PRINTED BOARD

A Howard W. Sams **CIRCUITRACE** Photo



PARTS LIST AND DESCRIPTIONS (Continued)

COILS (RF-IF)

ITEM No.	USE	REPLACEMENT DATA				NOTES
		G. E. PART No.	Merit PART No.	Miller PART No.	Stancor PART No.	
L1	Loopstick	RS-2607				
L2	Osc. Coil	RS-2605				
L3	1st IF Trans.	RS-2602				
L4	2nd IF Trans.	RS-2603				
L5	3rd IF Trans.	RS-2604				

TRANSFORMER (DRIVER)

ITEM No.	TURNS RATIO		REPLACEMENT DATA					NOTES
			G. E. PART No.	Merit PART No.	Stancor PART No.	Thordarson PART No.	Triad PART No.	
	PRI.	SEC.						
T1	1.5	1	RS-2601		TA-28			

TRANSFORMER (AUDIO OUTPUT)

ITEM No.	IMPEDANCE		REPLACEMENT DATA					NOTES
	PRI.	SEC.	G. E. PART No.	Merit PART No.	Stancor PART No.	Thordarson PART No.	Triad PART No.	
T2	400Ω CT	14-16Ω	RS-2600		TA-20	TR-18		

SPEAKER

ITEM No.	TYPE			REPLACEMENT DATA		NOTES
	SIZE	FIELD	V. C. IMP.	G. E. PART No.	QUAM PART No.	
SP1	2 3/4"	PM	14-16Ω	RB-1166	27A06Z12	

BATTERIES

ITEM No.	VOLTAGE	G. E. PART No.	REPLACEMENT DATA						NOTES
			BURGESS		EVEREADY		MALLORY		
			"A"	"B"	"A"	"B"	"A"	"B"	
M1	9V			P6		226		M-1600	

SIGNAL DIODES

ITEM No.	ORIG. TYPE	REPLACEMENT DATA				NOTES
		G. E. PART No.	GENERAL ELECTRIC PART No.	RAYTHEON PART No.	SYLVANIA PART No.	
M2	1N87G or 1N64G	RS-1811			1N87 or 1N64	Detector (Pigtail)

MISCELLANEOUS

ITEM No.	PART NAME	G. E. PART No.	NOTES
M3	Tuning Cap.	RS-1992	2 Gang

CABINETS & CABINET PARTS

(When Ordering Cabinets & Cabinet Parts, Specify Model, Chassis & Color)

NAME	PART NO.	DESCRIPTION
Dial Pointer	RS-1977	Tuning Volume, Model P815A Volume, Model P816A Model, P816A Model, P816A
Knob	RS-1968	
Knob	RS-1970	
Knob	RS-2595	
Cabinet Back	RB-1159	
Cabinet Back	RD-1160	
Cabinet Front	RD-1160	

CHASSIS—TOP VIEW

