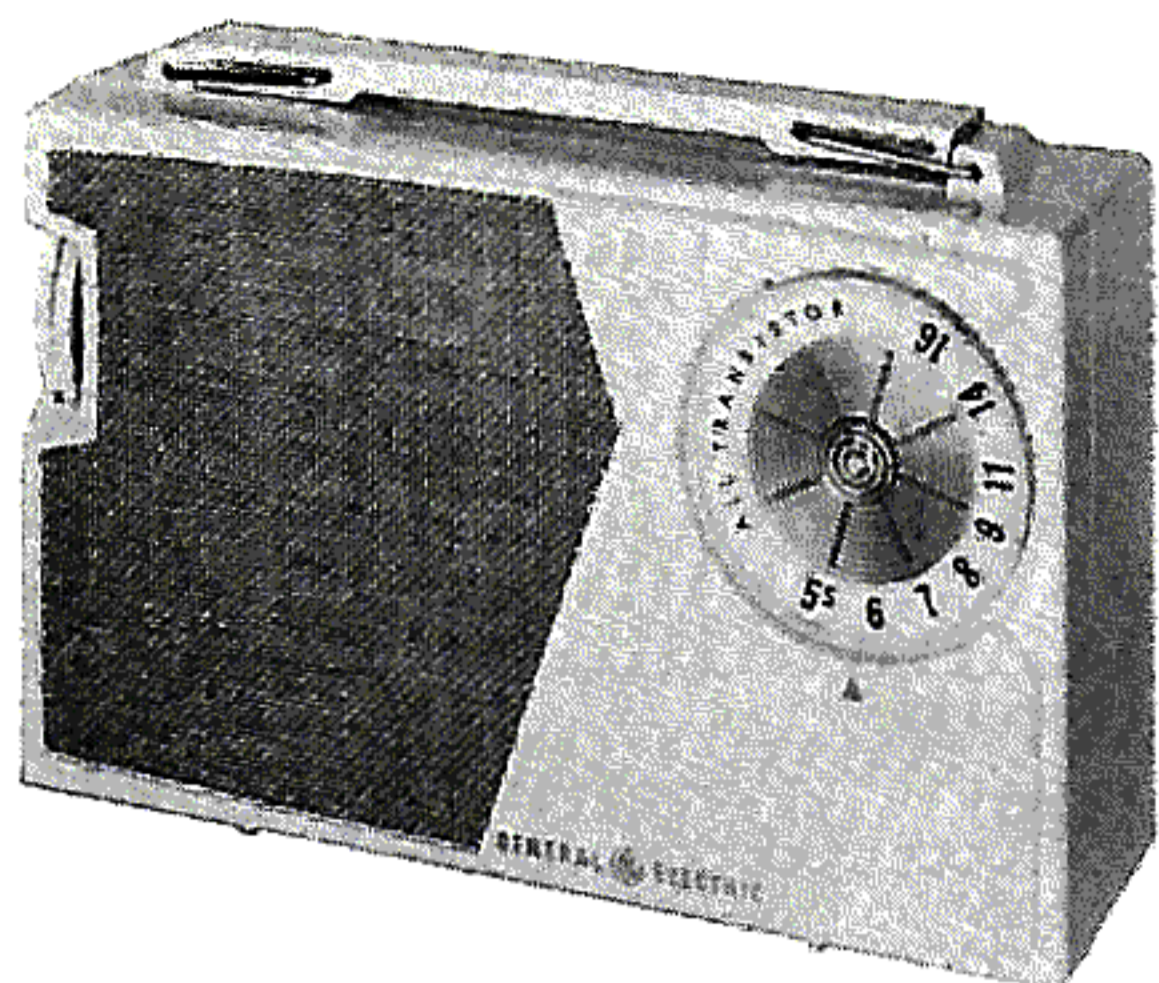


PHOTOFACT[®] with

CIRCUTRACE[®]

Met dank aan Jef Bos



TRADE NAME : General Electric Models P807G/H/S/T
P808G/H/S/T

SUPPLIER : General Electric Company,
Product Service, Radio Receiver Dept.
1001 Broad Street, Utica, N. Y.

TYPE SET : 5 Transistor AM Receiver

POWER SUPPLY : 9 Volts DC

RATING : 28MA @ 9 VDC

TUNING RANGE : BROADCAST 540 - 1630KC

ALIGNMENT INSTRUCTIONS

Check for specified source voltage.

Fashion loop of several turns of wire and connect generator across loop.

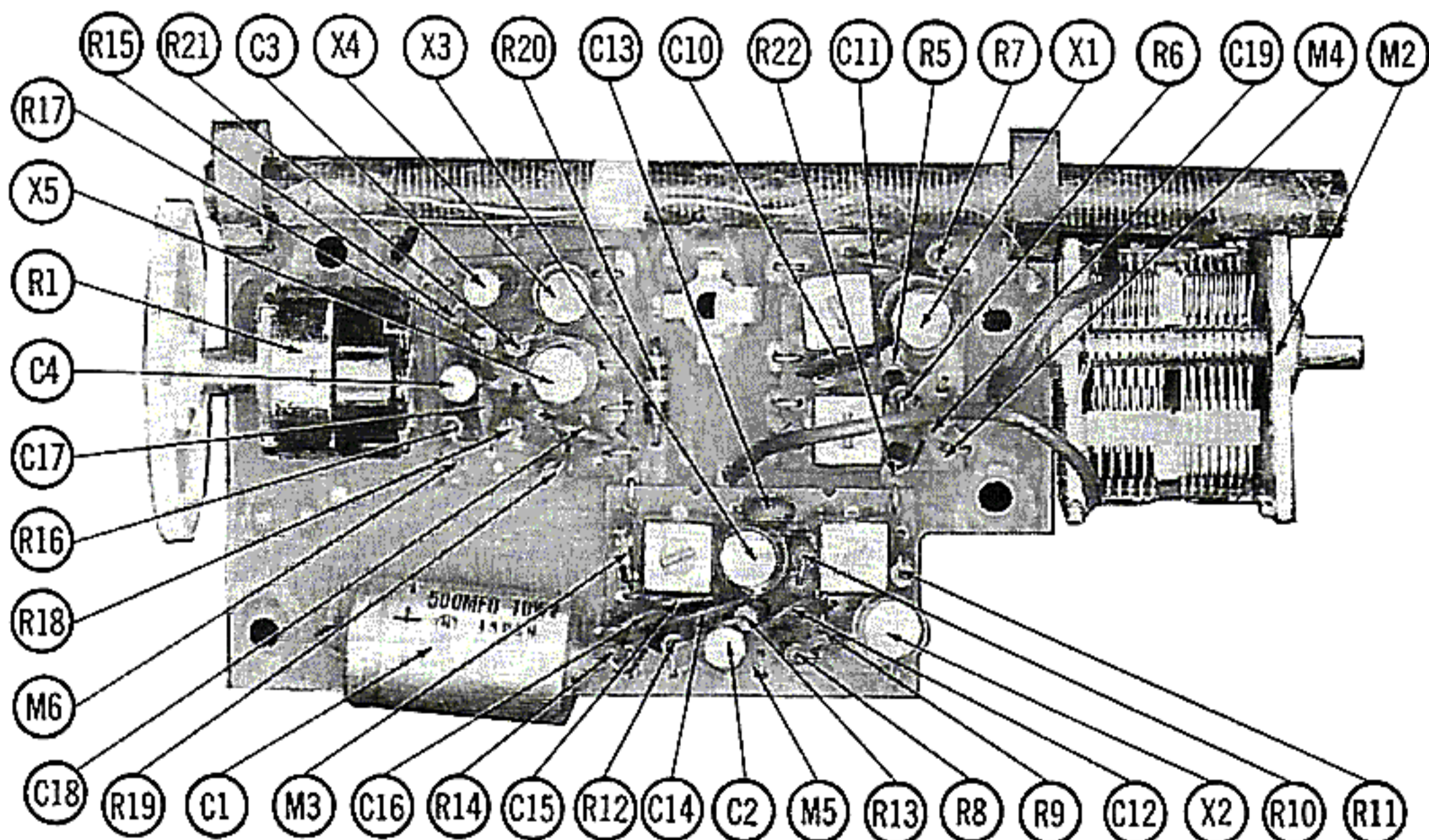
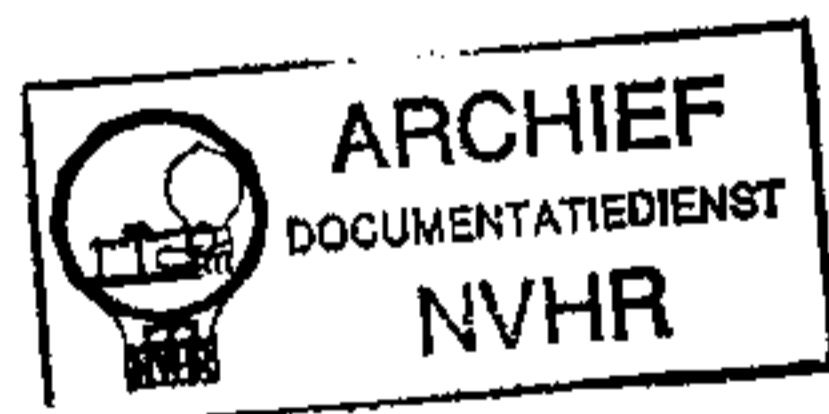
Adjust output of generator to radiate only enough signal into receiver to obtain a suitable indication.

Suggested Alignment Tools:

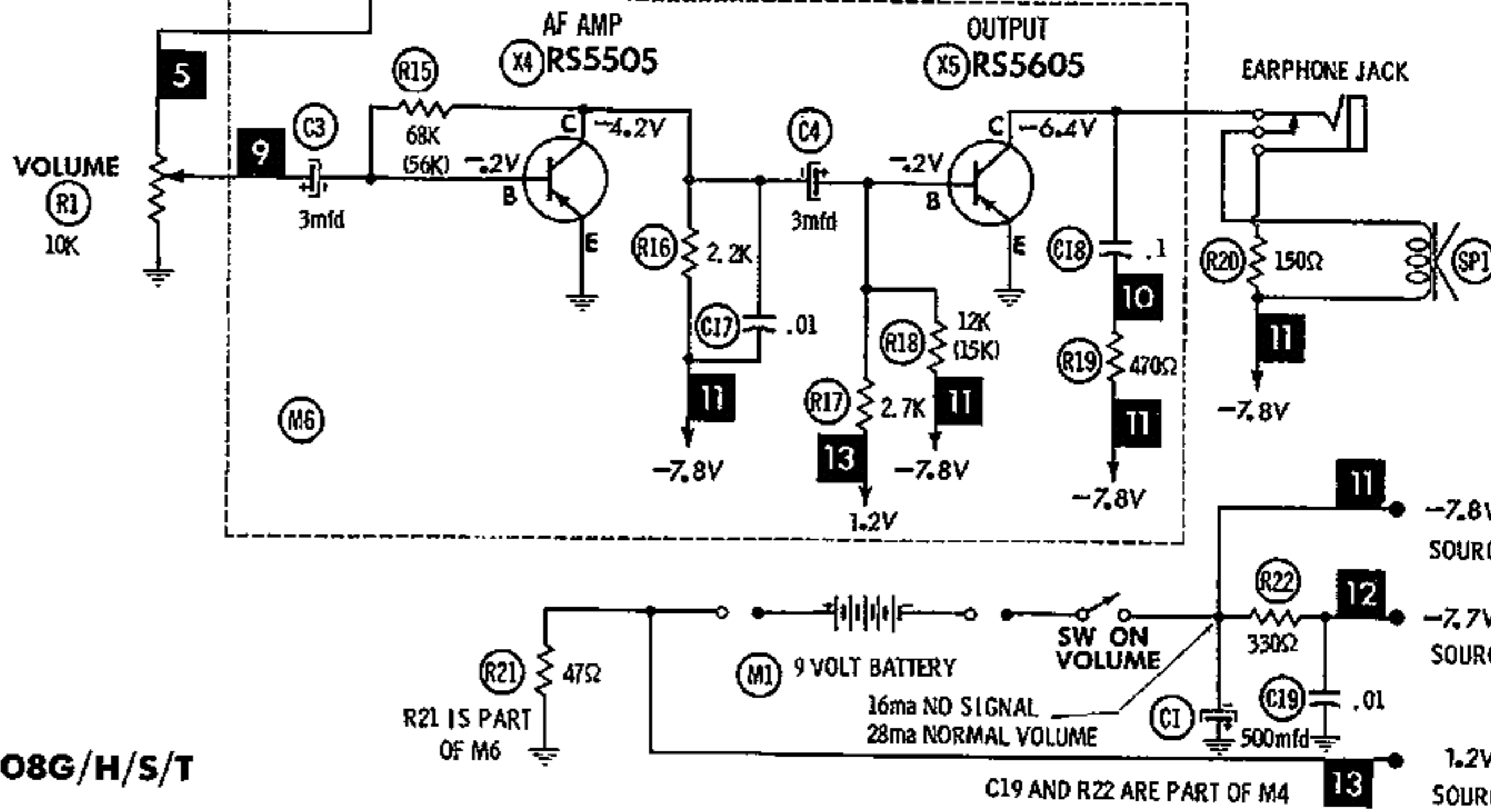
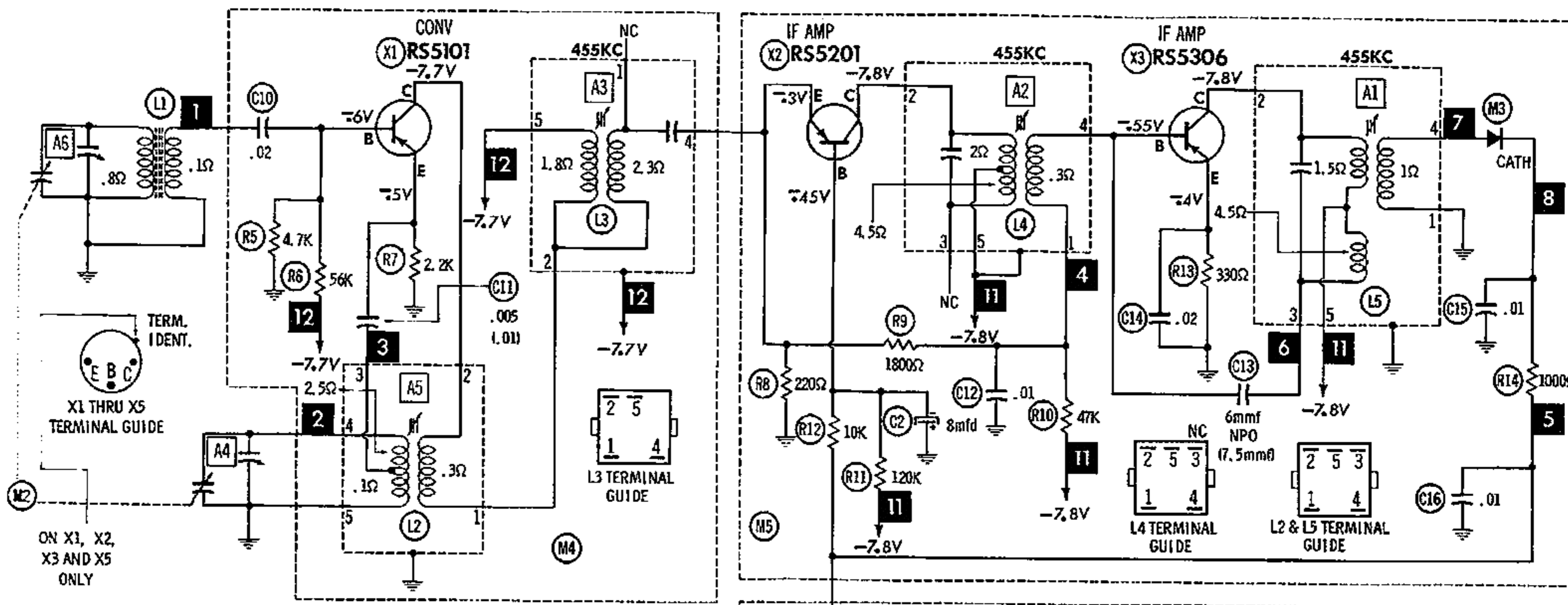
A1 thru A6..... GENERAL CEMENT #5000, 5066, 8290
WALSCO #2512, 2525, 2528

	SIGNAL GENERATOR FREQUENCY	RADIO DIAL SETTING	INDICATOR	ADJUST	REMARKS
1.	455KC (400v Mod.)	Tuning gang fully open.	Output Meter across voice coil.	A1, A2, A3	Adjust for maximum. Repeat as required.
2.	1630KC	"	"	A4	Adjust for maximum.
3.	600KC	Tune to Signal.	"	A5	Rock tuning gang and adjust for maximum. Repeat steps 2 and 3.
4.	1400KC	"	"	A6	Adjust for maximum.

Ned. Ver. v. Historie v/d R



HOWARD W. SAMS & CO., INC. Indianapolis 6, Indiana

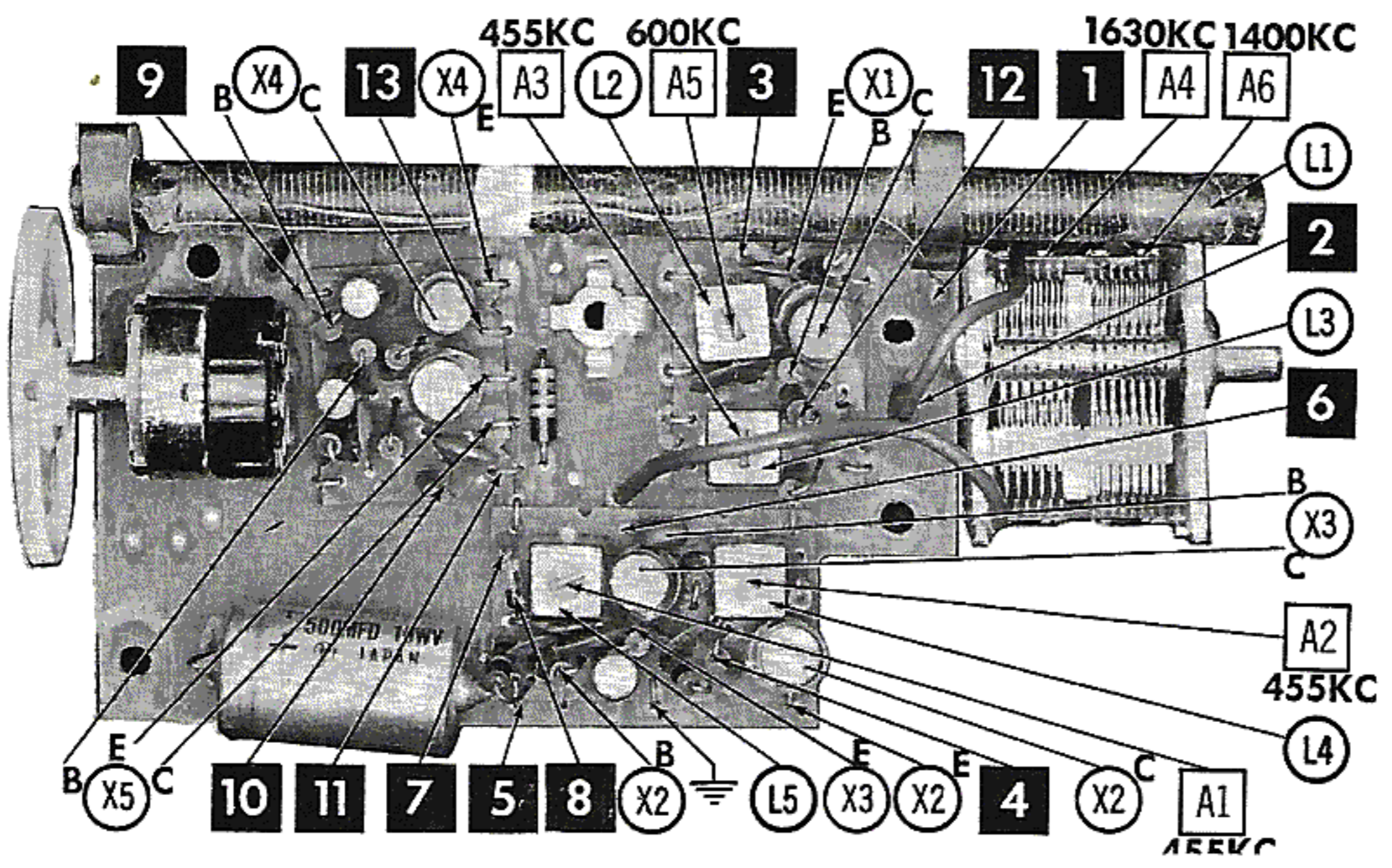


1. Voltage measurements taken with vacuum tube voltmeter.
2. All controls set for normal operation, no signal applied.
3. Measured values are from socket pin or terminal to common ground.
4. All terminals viewed from bottom unless otherwise designated.
5. Numbers assigned to terminals may not be found on the unit.
6. Supply voltage maintained at rated value for voltage readings.
7. Resistance measurements not given because of the wide variation in internal resistance of transistor.

A PHOTOFAC STANDARD NOTATION SCHEMATIC with CIRCUITRACE[®]

©Howard W. Sams & Co., Inc. 1963

GENERAL ELECTRIC MODELS P807G/H/S/T, P808G/H/S/T



WIRING DATA

General-use Unshielded Hook-up Wire	Use BELDEN No. 8530 (Solid 22AWG) 8524 (Stranded 22AWG) 8570 (Stranded 28AWG)	Available in 12 Colors
---	---	------------------------------

TRANSISTORS

ITEM No.	ORIG. TYPE	USE	REPLACEMENT DATA			NOTES	G. E. PART No.
			DELCO PART No.	GENERAL ELECTRIC PART No.	RCA PART No.		
X1		Converter	DS-25	GE-1		PNP	RS-5101
X2		IF Amp.	DS-25	GE-1		PNP	RS-5201
X3		IF Amp.	DS-25	GE-1		PNP	RS-5306 †
X4		AF Amp.	DS-26	GE-2	2N406	PNP	RS-5505
X5		Output	DS-26	GE-2	2N408	PNP	RS-5605 *

† Alternate Part #RS-5301
* Alternate Part #RS-5602

ELECTROLYTIC CAPACITORS

ITEM No.	RATING		REPLACEMENT DATA						
	CAP.	VOLT.	G. E. PART No.	AEROVOX PART No.	CORNELL-DUBILIER PART No.	GENERAL ELECTRIC PART No.	GENERAL INSTRUMENT PART No.	MALLORY PART No.	SPRAGUE PART No.
C1	500	10	RS-4441 (113A7299-8)		BR500-12				
C2	8	12		BCD12008	ECPB407	MT1-5	BL1240	TT15X8	VL-1126
C3	3	12		BCD12003	ECPB403	MT1-3		TT12X3	VL-1122
C4	3	12		BCD12003	ECPB403	MT1-3		TT12X3	VL-1122

FIXED CAPACITORS

ITEM No.	RATING	REMARKS	REPLACEMENT DATA					
			AEROVOX PART No.	CENTRALAB PART No.	CORNELL-DUBILIER PART No.	ELMENCO PART No.	MALLORY PART No.	SPRAGUE PART No.
C10	.02 25V	(.01) †	TTD-02	CK-203	H3	CCTO-6R8	TA-120	TG-S20
C11	.005 25V		TTD-005	CK-502	H1		TA-250	TG-D50
C12	.01 25V	TTD-01	CK-103	H2	TA-110		TG-S10	
C13	6 NPO	(7.5) †	NPO-D1 6.8	DTZ-6R8	C10V68C		CNO-568	10TCC-V68
C14	.02 25V	TTD-02	CK-203	H3	TA-120		TG-S20	
C15	.01 25V	TTD-01	CK-103	H2	TA-110		TG-S10	
C16	.01 25V	TTD-01	CK-103	H2	TA-110		TG-S10	
C17	.01 25V	TTD-01	CK-103	H2	TA-110		TG-S10	
C18	.1 10V	TTD-1	CK-104	H6	TA-010		TG-P10	
C19	.01 25V	TTD-01	CK-103	H2	TA-110		TG-S10	

† Alternate Value.

CONTROLS

All wattages 1/2 watt, or less, unless otherwise listed.

ITEM No.	USE	RESISTANCE	REPLACEMENT DATA				
			G. E. PART No.	CENTRALAB PART No.	CLAROSTAT PART No.	CTS-IRC PART No.	MALLORY PART No.
R1	Volume & Switch	10K	RS-4440				

D DESCRIPTION

COILS (RF-IF)

ITEM No.	USE	REPLACEMENT DATA					NOTES
		G. E. PART No.	MERIT PART No.	MILLER PART No.	STANCOR PART No.	WORKMAN PART No.	
L1	Loopstick	RS-4442					① Part of M4 ② Part of M5
L2	AM Osc.	①					
L3	1st IF	①					
L4	2nd IF	②	BC-575	2067	RTC-9267		
L5	3rd IF	②	BC-576	2068	RTC-9268		

SPEAKER

ITEM No.	TYPE	REPLACEMENT DATA		NOTES
		G. E. PART No.	QUAM PART No.	
SP1	3 1/2" Magnetic 550Ω	RB-1209		

BATTERIES

ITEM No.	VOLTAGE	G. E. PART No.	REPLACEMENT DATA			NOTES
			BURGESS	EVEREADY	MALLORY	
M1	9V		2U6 (or H146)	216 (or E146)	MN1604 (or M-1604, TR-146)	

MISCELLANEOUS

ITEM No.	PART NAME	G. E. PART No.	NOTES
M2	Tuning Gang	RS-4438	
M3	Detector		
M4	Converter Circuit	RS-5801	
M5	IF Circuit	RS-5802	
M6	Audio Circuit	RS-5803	

CABINETS & CABINET PARTS

(When Ordering Specify Model, Chassis & Color)

ITEM	PART No.	ITEM	PART No.
Knob - Tuning	RS-4434	Cabinet - Model P807G	RB-1399
Knob - Volume	RS-4435	Cabinet - Model P808G	RB-1400