

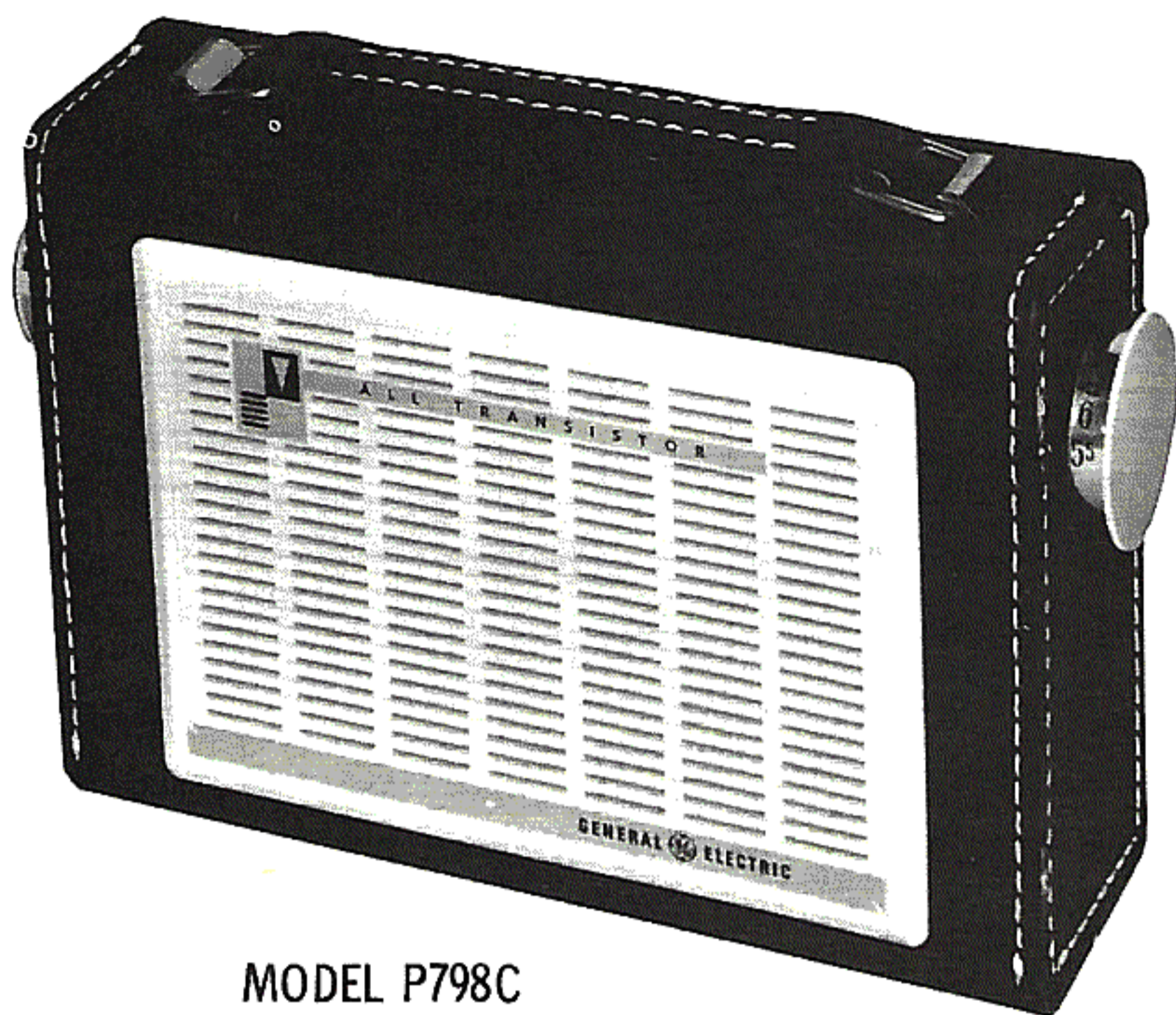
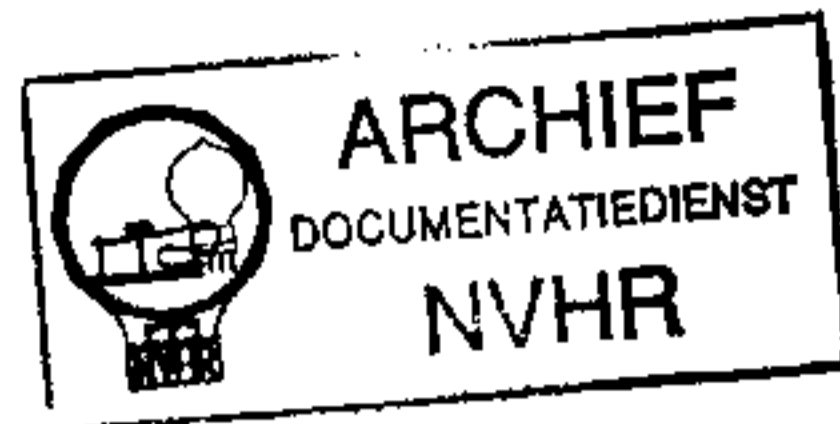
PHOTOFACT® Folder

with CIRCUITRACE®

GENERAL ELECTRIC MODELS
P795C, P797C, P798C



Ned. Ver. v. Historie v/d Radio



MODEL P798C

Met dank aan Jef Bos

TRADE NAME	General Electric Models P795C, P797C, P798C		
MANUFACTURER	General Electric Co., Product Service, Radio Receiver Dept., 1001 Broad Street, Utica, N. Y.		
TYPE SET	Battery Operated Transistorized Portable AM Receiver		
POWER SUPPLY	6 Volts DC	RATING	80 MA @ 6 Volts DC
TUNING RANGE—BROADCAST	530 — 1630KC		

ALIGNMENT INSTRUCTIONS

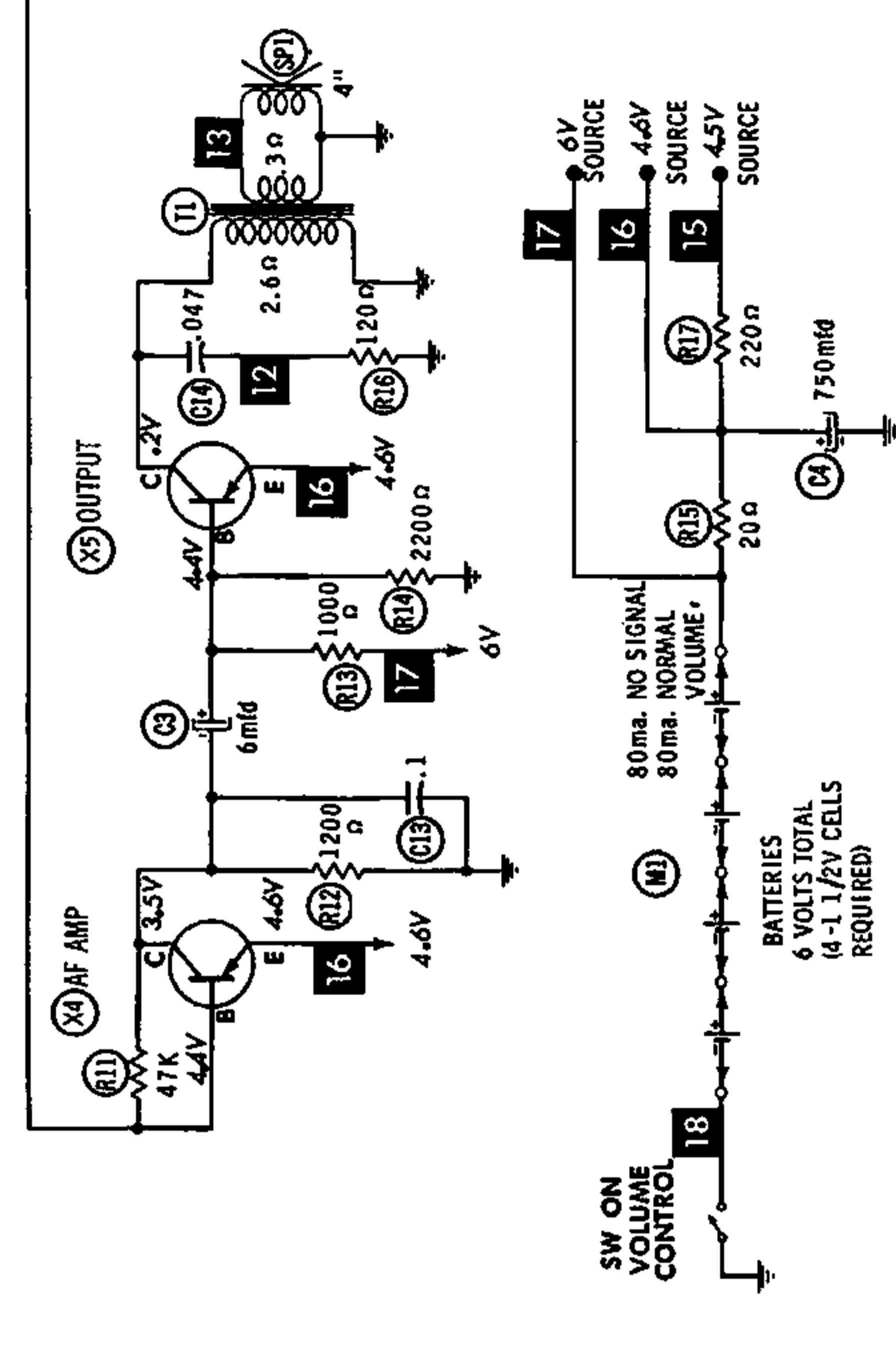
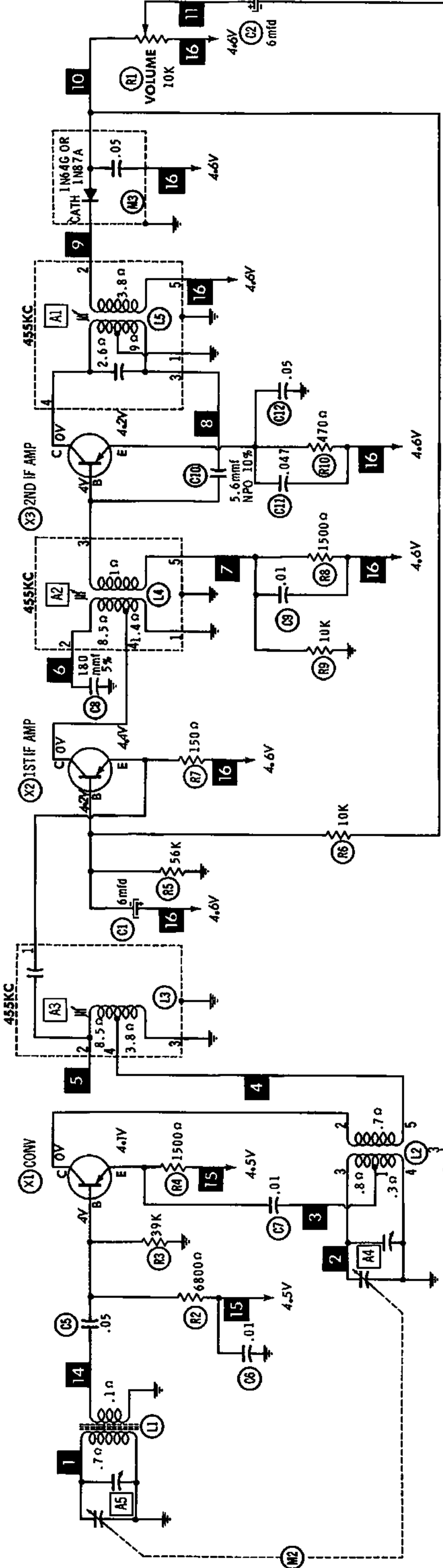
ALIGNMENT INSTRUCTIONS—READ CAREFULLY BEFORE ATTEMPTING ALIGNMENT					
Use only enough generator output to provide a usable indication.					
Suggested Alignment Tools:					
A1, A2, A3.....		GENERAL CEMENT #8282, 8606, 8606-L, 9091 WALSCO #2526, 2541, 2542, 2543, 2544			
A4, A5.....		GENERAL CEMENT #5004, 5008, 5009 WALSCO #2520			
SIGNAL GENERATOR COUPLING	SIGNAL GENERATOR FREQUENCY	RADIO DIAL SETTING	CONNECT VTVM	ADJUST	REMARKS
1. Fashion loop of several turns of wire and radiate signal into loop of receiver.	455KC (Unmod.)	Tuning gang fully open.	DC probe to high side of volume control, common to B-.	A1, A2, A3	Adjust for maximum deflection.
2. "	1630KC	"	"	A4	"
3. "	1400KC	1400KC	"	A5	"

HOWARD W. SAMS & CO., INC. Indianapolis 6, Indiana

The listing of any available replacement part herein does not constitute in any case a recommendation, warranty or guaranty by Howard W. Sams & Co., Inc., as to the quality and suitability of such replacement part. The numbers of these parts have been compiled from information furnished to Howard W. Sams & Co., Inc., by the manufacturers of LF253

the particular type of replacement part listed. Reproduction or use, without express permission, of editorial or pictorial content, in any manner, is prohibited. No patent liability is assumed with respect to the use of the information contained herein. ©1962 Howard W. Sams & Co., Inc., Indianapolis 6, Indiana. Printed in U.S. of America





SEE PARTS LIST FOR ALTERNATE VALUE OR APPLICATION

- DC voltage measurements taken with vacuum tube voltmeter.
- Socket connections or transistor terminals are shown as bottom views.
- Measured values are from socket pin or terminal to common ground.
- Nominal tolerance on component values makes possible a variation of $\pm 15\%$ in voltage and resistance readings.
- Volume control at maximum, no signal applied for voltage measurements.

A PHOTOFACT STANDARD NOTATION SCHEMATIC
with **CIRCUITRACE**

© Howard W. Sams & Co., Inc. 1962

GENERAL ELECTRIC MODELS P795C, P797C, P798C

RESISTANCE MEASUREMENTS NOT GIVEN BECAUSE OF THE WIDE VARIATION IN INTERNAL TRANSISTOR RESISTANCE.

NUMBERS ASSIGNED TO COILS, SWITCHES, PLUGS, SOCKETS, AND TRANSFORMERS ARE TO FACILITATE CIRCUIT TRACING OR COMPONENT REPLACEMENT AND MAY NOT NECESSARILY BE FOUND ON THE UNIT.

RESISTANCE MEASUREMENTS NOT GIVEN BECAUSE OF THE WIDE VARIATION IN INTERNAL TRANSISTOR RESISTANCE.

NUMBERS ASSIGNED TO COILS, SWITCHES, PLUGS, SOCKETS, AND TRANSFORMERS ARE TO FACILITATE CIRCUIT TRACING OR COMPONENT REPLACEMENT AND MAY NOT NECESSARILY BE FOUND ON THE UNIT.

BATTERIES
6 VOLTS TOTAL
(4-1 1/2V CELLS
REQUIRED)

SW ON
VOLUME
CONTROL

80 ma. NO SIGNAL
80 ma. NORMAL
VOLUME,

6V SOURCE
4.6V SOURCE
4.5V SOURCE

750 mfd

PARTS LIST AND DESCRIPTIONS

TRANSISTORS

ITEM No.	MFGR. PART NO.	USE	REPLACEMENT DATA		NOTES
			RCA PART No.	RAYTHEON PART No.	
X1	RS-3287	Converter	2N412	2N486	PNP
X2	RS-3278	1st IF Amplifier	2N410	2N483	PNP
X3	RS-3288	2nd IF Amplifier	2N410	2N483	PNP
X4	RS-3275	AF Amplifier	2N406	2N362	PNP
X5	RS-3278	Output	2N408	2N360	PNP

ELECTROLYTIC CAPACITORS

ITEM No.	RATING		REPLACEMENT DATA						
	CAP.	VOLT.	G. E. PART No.	AEROVOX PART No.	CORNELL-DUBILIER PART No.	GENERAL ELECTRIC PART No.	MALLORY PART No.	PYRAMID PART No.	SPRAGUE PART No.
C1	8	15	RS-2614	PTT64	NLW6-15	MT1-5	TT25X6	MLV5-15	TE-1153
C2	8	15	RS-2614	PTT64	NLW6-15	MT1-5	TT25X6	MLV5-15	TE-1153
C3	8	15	RS-2614	PTT64	NLW6-15	MT1-5	TT25X6	MLV5-15	TE-1153
C4	750	6	RS-3336	BCD12500					VLS-1110 *

* Not normally in distributor's stock. Available thru distributor on order to manufacturer.

FIXED CAPACITORS

ITEM No.	RATING	REMARKS	REPLACEMENT DATA						
			AEROVOX PART No.	CENTRALAB PART No.	CORNELL-DUBILIER PART No.	ELMENCO PART No.	MALLORY PART No.	SPRAGUE PART No.	
C5	.05	#RS-3244	BPD-05	DD-503	CUB2S5	IDP-2-503	GP150	5HK-S50	
C6	.01		BPD-01	DD-103	BYA10S1	CCD-103	B-110	5HK-S10	
C7	.01		BPD-01	DD-103	BYA10S1	CCD-103	B-110	5HK-S10	
C8	180 5%		1469-00018	TCZ-180	22R5T18	CM-19B-181J	CNO-318	MS-318	
C9	.01		BPD-01	DD-103	BYA10S1	CCD-103	B-110	5HK-S10	
C10	5.6 NPO 10%							10TCC-V56	
C11	.047 50V			P288N-047	DD-503	CUB2S47	IDP-2-473	GEM-4147	2TM-S47
C12	.05			BPD-05	DD-503	CUB2S5	IDP-2-503	GP150	5HK-S50
C13	.1 50V			P288N-1	DF-104	CUB2P1	IDP-2-104	GEM-201	2TM-P10
C14	.047 50V			P288N-047	DD-503	CUB2S47	IDP-2-473	GEM-4147	2TM-S47

G. E. Part Number.

CONTROLS

All wattages 1/2 watt, or less, unless otherwise listed.

ITEM No.	USE	RESISTANCE	REPLACEMENT DATA					
			G. E. PART No.	CENTRALAB PART No.	CLAROSTAT PART No.	CTS-IRC PART No.	MALLORY PART No.	
R1	Volume & Switch	10K	RS-1834	B-60Ⓞ, or (AB-60, AK-11) Ⓞ				P2-14A-D

Ⓞ Remove Bracket from Original Control.
Remove Plate from P-C Board and Drill 3/8" Hole in Bracket.

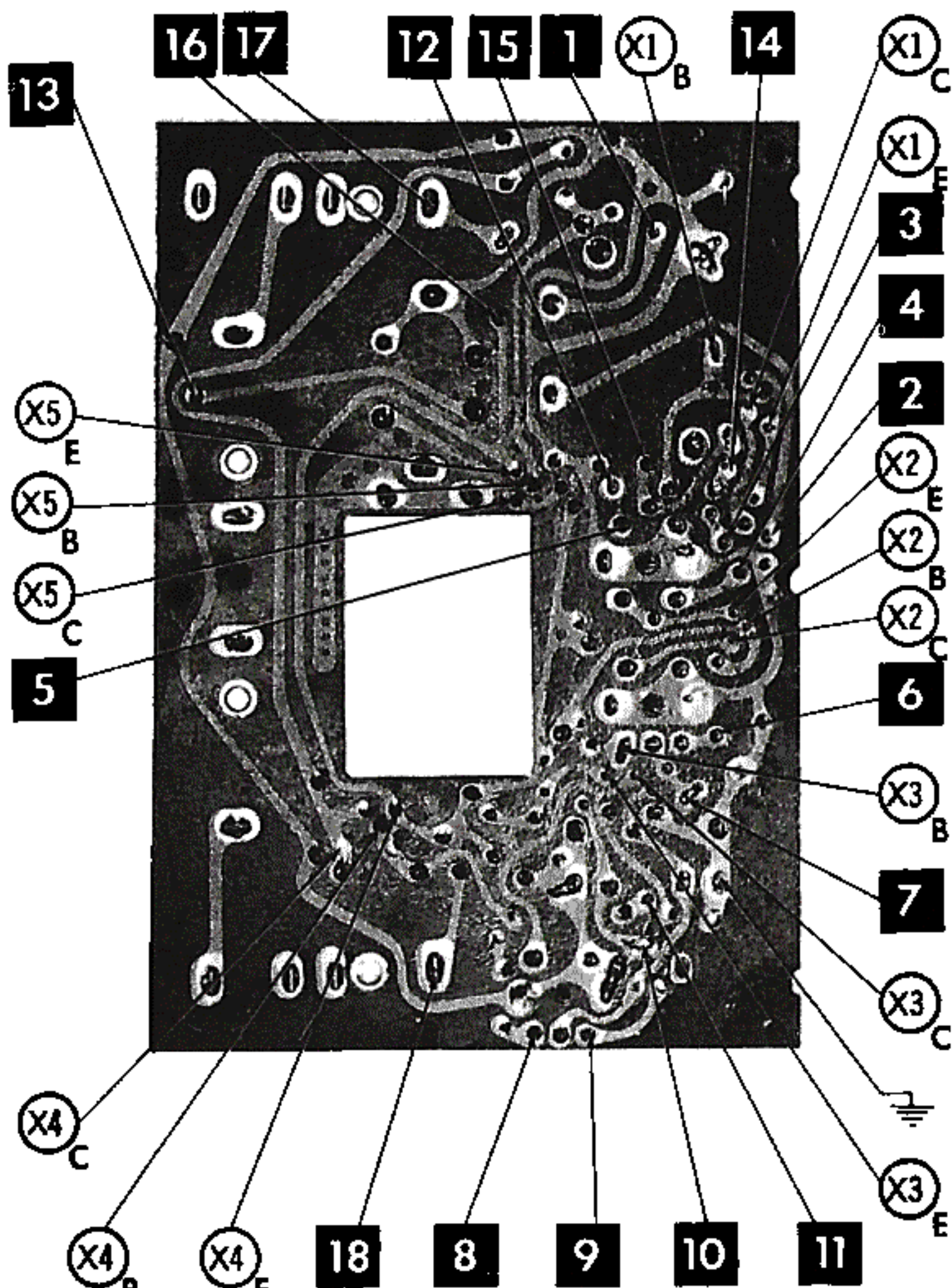
RESISTORS

All wattages 1/2 watt, or less, unless otherwise listed.

ITEM No.	RATING	REPLACEMENT DATA			ITEM No.	RATING	REPLACEMENT DATA		
		IRC PART No.	WORKMAN PART No.	REMARKS			IRC PART No.	WORKMAN PART No.	REMARKS
R2	6800Ω				R10	470Ω			
R3	39K				R11	47K			
R4	1500Ω				R12	1200Ω			
R5	56K				R13	1000Ω			
R6	10K				R14	2200Ω			
R7	150Ω				R15	20Ω			
R8	1500Ω				R16	120Ω			
R9	10K				R17	220Ω			

PRINTED BOARD

A Howard W. Sams **CIRCUITRACE** Photo



E - EMITTER B - BASE C - COLLECTOR

PARTS LIST AND DESCRIPTIONS (Continued)

COILS (RF-IF)

ITEM No.	USE	REPLACEMENT DATA					NOTES
		G. E. PART No.	Merit PART No.	Miller PART No.	Stancor PART No.	Workman PART No.	
L1	Loopstick	RS-3337					
L2	Osc.	RS-3338					
L3	1st IF	RS-3408					
L4	2nd IF	RS-3339					
L5	3rd IF	RS-3340					

TRANSFORMER (AUDIO OUTPUT)

ITEM No.	IMPEDANCE		REPLACEMENT DATA					NOTES
	PRI.	SEC.	G. E. PART No.	Merit PART No.	Stancor PART No.	Thordarson PART No.	Triad PART No.	
T1	130Ω	3-4Ω	RS-1428					

SPEAKER

ITEM No.	TYPE			REPLACEMENT DATA		NOTES
	SIZE	FIELD	V. C. IMP.	G. E. PART No.	QUAM PART No.	
SP1	4"	PM	3-4Ω	RB-1057	4A1	

BATTERIES

ITEM No.	VOLTAGE	G. E. PART No.	REPLACEMENT DATA						NOTES
			BURGESS		EVEREADY		MALLORY		
			"A"	"B"	"A"	"B"	"A"	"B"	
M1	1½V			230		A100		M-13R	4 Required

MISCELLANEOUS

ITEM No.	PART NAME	G. E. PART No.	NOTES
M2 M3	Tuning Cap. Detector Assembly	RS-2564	2 Gang Includes Diode Part #RS-1811 (1N64G or 1N87A), and .05mfd Capacitor

CABINETS & CABINET PARTS

(When Ordering Cabinets & Cabinet Parts, Specify Model, Chassis & Color)

NAME	PART NO.	DESCRIPTION
Knob, Tuning	RS-1804	Models P795C, P798C
Knob, Tuning	RS-1805	Model P797C
Knob, Volume	RS-1806	Models P795C, P798C
Knob, Volume	RS-1807	Model P797C
Cabinet, Black	RB-1091	Model P795C
Cabinet, Beige	RB-1093	Model P797C
Cabinet, Maroon	RB-1224	Model P798C
Grille	RS-1802	With Nameplate & Medallion, Models P795C, P798C
Grille	RS-1803	With Nameplate & Medallion, Model P797C

WIRING DATA

General-use Unshielded Hook-up Wire	Use BELDEN No.	8530 (Solid 22AWG)	Available
		8524 (Stranded 22AWG)	in
		8570 (Stranded 26AWG)	12 Colors

CHASSIS—TOP VIEW

