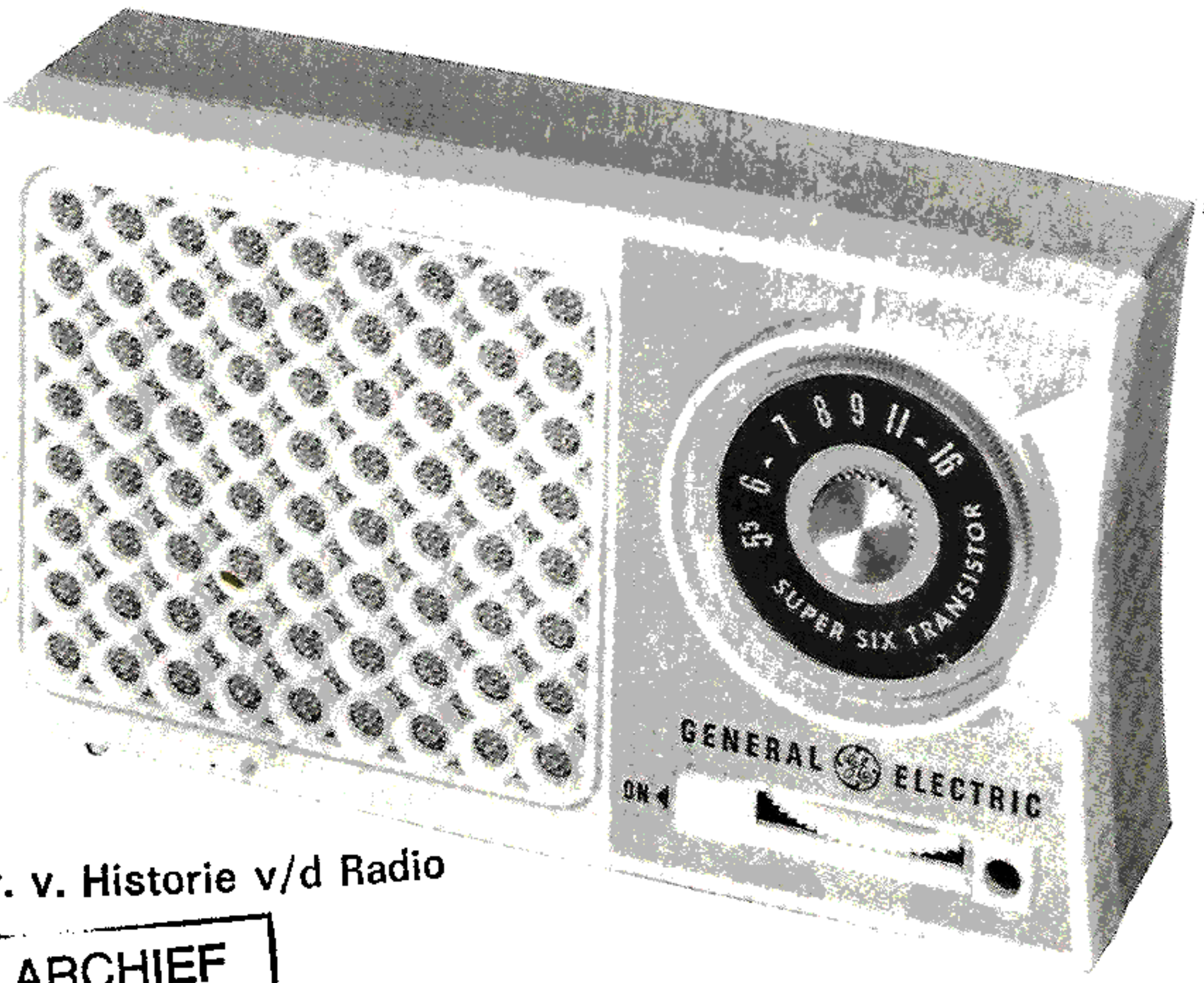
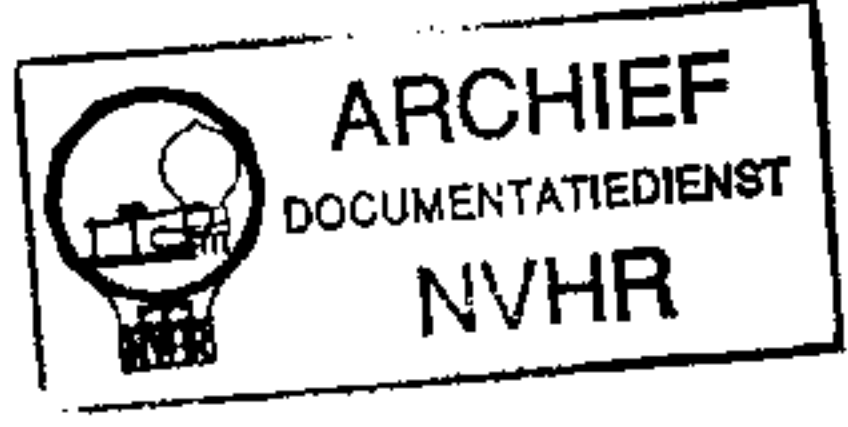


Met dank aan Jef Bos



Ned. Ver. v. Historie v/d Radio



MODEL P791A

TRADE NAME	General Electric Models P790A, P790B, P791A, P791B		
MANUFACTURER	General Electric Co., Product Service, Radio Receiver Dept., 869 Broad Street, Utica, N. Y.		
TYPE SET	Battery Operated Transistorized Portable AM Receiver		
POWER SUPPLY	9 Volts DC	RATING	6MA@9 Volts DC (No Signal, Minimum Volume) 20MA@9 Volts DC (Signal, Normal Volume)
TUNING RANGE—BROADCAST	540 - 1630KC		

ALIGNMENT INSTRUCTIONS

ALIGNMENT INSTRUCTIONS—READ CAREFULLY BEFORE ATTEMPTING ALIGNMENT

Volume control should be at maximum position. Output of signal generator should be no higher than necessary to obtain an output reading.

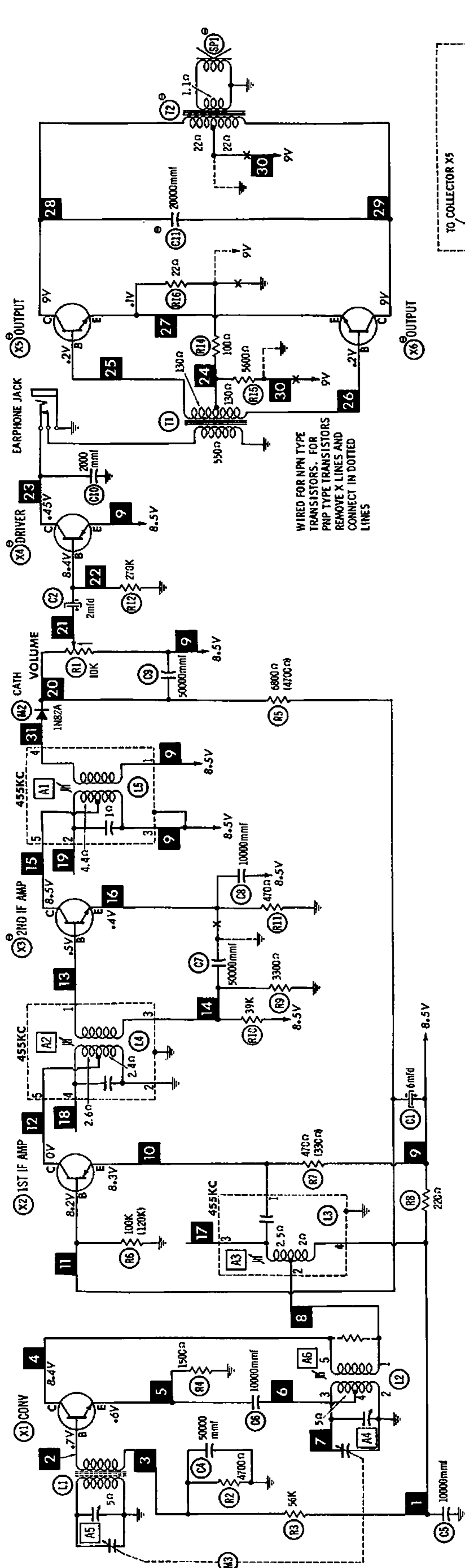
Suggested Alignment Tools: A1, A2, A3... GENERAL CEMENT #5004, 5009, 8195, 8274, 8275, 8607, 8728, 8987, 8988, 8989, 9291
WALSCO #2515, 2520, 2522, 2523, 2531, 2532, 2534, 2537, 2538
A4, A5..... GENERAL CEMENT #5000, 5003, 8276, 8290
WALSCO #2512, 2522, 2523, 2525, 2537, 2515
A6..... GENERAL CEMENT #8282, 8606, 8606-L, 9091
WALSCO #2526, 2541, 2542, 2543, 2544

	SIGNAL GENERATOR COUPLING	SIGNAL GENERATOR FREQUENCY	RADIO DIAL SETTING	OUTPUT METER	ADJUST	REMARKS
1.	Loop	455KC (400v Mod.)	Tuning gang fully open.	Across voice coil.	A1, A2, A3	Fashion loop of several turns of wire and radiate signal into loop of receiver. Adjust for maximum output.
2.	"	1630KC	"	"	A4	"
3.	"	1400KC	1400KC Signal	"	A5	Adjust for maximum output while rocking tuning gang.
4.	"	580KC	580KC Signal	"	A6	"

HOWARD W. SAMS & CO., INC. Indianapolis 6, Indiana

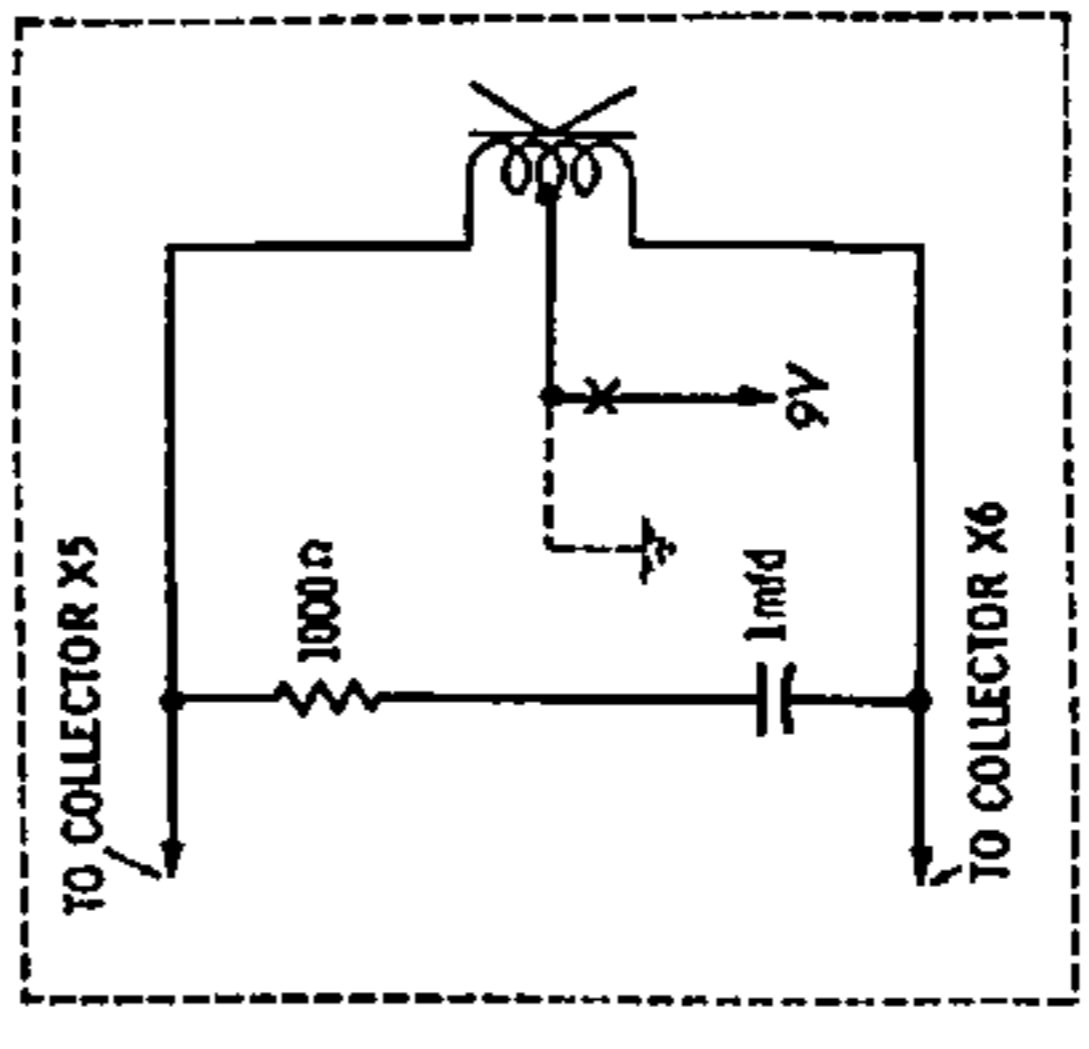
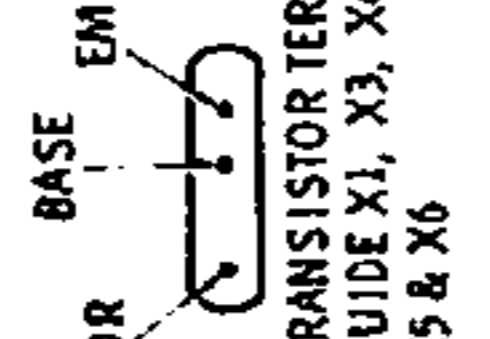
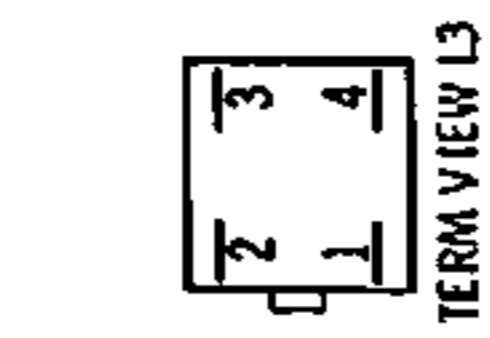
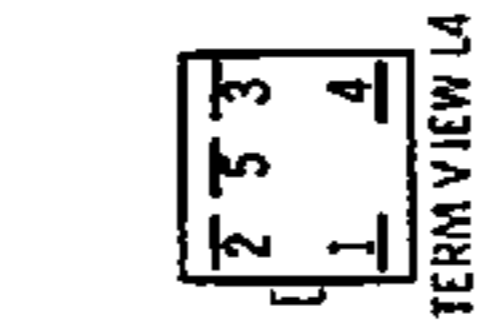
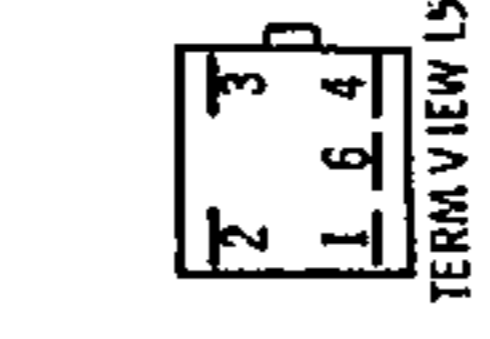
The listing of any available replacement part herein does not constitute in any case a recommendation, warranty or guaranty by Howard W. Sams & Co., Inc., as to the quality and suitability of such replacement part. The numbers of these parts have been compiled from information furnished to Howard W. Sams & Co., Inc., by the manufacturers of KF199

the particular type of replacement part listed. Reproduction or use, without express permission, of editorial or pictorial content, in any manner, is prohibited. No patent liability is assumed with respect to the use of the information contained herein. © 1960 Howard W. Sams & Co., Inc., Indianapolis 6, Indiana. Printed in U.S. of America



Wired for NPN type transistors. For PNP type transistors remove X lines and connect in dotted lines.

1. DC voltage measurements taken with vacuum tube voltmeter.
2. Socket connections or transistor terminals are shown as bottom views.
3. Measured values are from socket pin or terminal to common ground.
4. Nominal tolerance on component values makes possible a variation of ±15% in voltage and resistance readings.
5. Volume control at maximum, no signal applied for voltage measurements.



GENERAL ELECTRIC MODELS P790A, B, P791A, B

SEE PARTS LIST FOR ALTERNATE VALUE OR APPLICATION

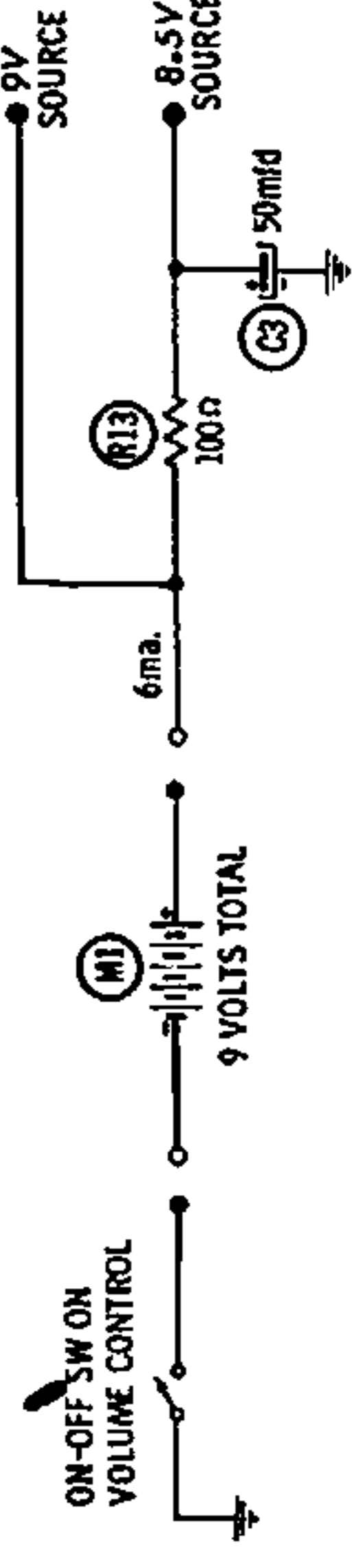
DC COIL RESISTANCE VALUES UNDER ONE OHM NOT SHOWN ON SCHEMATIC DIAGRAM

ARROWS ON CONTROLS INDICATE CLOCKWISE ROTATION (CONTROL VIEWED FROM SHAFT END)

NUMBERS ASSIGNED TO COILS, SWITCHES, PLUGS, SOCKETS, AND TRANSFORMERS ARE TO FACILITATE CIRCUIT TRACING OR COMPONENT REPLACEMENT AND MAY NOT NECESSARILY BE FOUND ON THE UNIT.

A PHOTOFACT STANDARD NOTATION SCHEMATIC with **CIRCUITRACE**

© Howard W. Sams & Co., Inc. 1960



PARTS LIST AND DESCRIPTIONS

TRANSISTORS

ITEM No.	MFG. PART NO.	USE	REPLACEMENT DATA			NOTES
			RCA PART No.	RAYTHEON PART No.	SYLVANIA PART No.	
X1	RS-1531	Conv. (2N1058)		2N1368		NPN PNP NPN PNP NPN } Matched NPN } Pair
X2	RS-1550	1st IF Amp. (GT-760R)		2N483		
X3	RS-1537 ①	2nd IF Amp. (2N233 ①)		2N1367	2N233A	
X4	RS-1543	Driver (S025 ②)		2N362		
X5	RS-1549	Output (2N1059 ③)	2N649	2N632	2N1059	
X6	RS-1549	Output (2N1059 ③)	2N649	2N632	2N1059	

① Alternate Types 2N293 or 2N292. Alternate Part #RS-1532, RS-1545

② Alternate Type 2N406

③ Alternate Type 2N408 (PNP) Part #RS-1548

ELECTROLYTIC CAPACITORS

ITEM No.	RATING		REPLACEMENT DATA					NOTES
	CAP.	VOLT.	G. E. PART No.	AEROVOX PART No.	CORNELL-DUBILIER PART No.	MALLORY PART No.	PYRAMID PART No.	
C1	6	15	RS-2614	XPP-15006	NLW6-25	TT25X6	ML6-15	TE-1153
C2	2	25	RS-2615	XPP-25002	NLW2-100	TC302	ML2-25	TE-1201
C3	50	12	RS-2286	BCD12050	ECPB415	PET1575		VL-1134

FIXED CAPACITORS

Capacity values given in the rating column are in mfd. for Paper Capacitors, and in mmfd. for Mica and Ceramic Capacitors.

ITEM No.	RATING	REMARKS	REPLACEMENT DATA					SPRAGUE PART No.
			AEROVOX PART No.	CENTRALAB PART No.	CORNELL-DUBILIER PART No.	ELMENCO PART No.	MALLORY PART No.	
C4	50000		C80V503AM	DDA-503	H-05S5		TA-150	TG-S50
C5	10000		C80V103AM	DDM-103	H-05S1		TA-110	TG-S10
C6	10000		C80V103AM	DDM-103	H-05S1		TA-110	TG-S10
C7	50000		C80V503AM	DDA-503	H-05S5		TA-150	TG-S50
C8	10000		C80V103AM	DDM-103	H-05S1		TA-110	TG-S10
C9	50000		C80V503AM	DDA-503	H-05S5		TA-150	TG-S50
C10	2000		BPD-002	DM-202	BYA10D2	CCD-202	B-220	5HK-D20
C11	20000	Note 1	C80V203AM	DDM-203	H-05S2		TA-120	TG-S20

Note 1. "B" versions use 10000mmf in this application. When magnetic-type speaker is used, value is 1mfd

CONTROLS

ITEM No.	RATING		REPLACEMENT DATA				INSTALLATION NOTES	
	RESISTANCE	WATTS	G. E. PART No.	CENTRALAB PART No.	CLAROSTAT PART No.	CTS-IRC PART No.		MALLORY PART No.
R1	10K	1/4	RS-2586					Volume & Switch

RESISTORS (IRC or EQUIVALENT)

All wattages 1/2 watt, or less, unless otherwise listed.

ITEM No.	RATING	REMARKS	ITEM No.	RATING	REMARKS	ITEM No.	RATING	REMARKS
R2	4700Ω		R7	470Ω	(330Ω) *	R12	270K	
R3	56K		R8	220Ω		R13	100Ω	
R4	1500Ω		R9	3300Ω		R14	100Ω	
R5	6800Ω	(4700Ω) *	R10	39K		R15	5600Ω	
R6	100K	(120K) *	R11	470Ω		R16	22Ω	

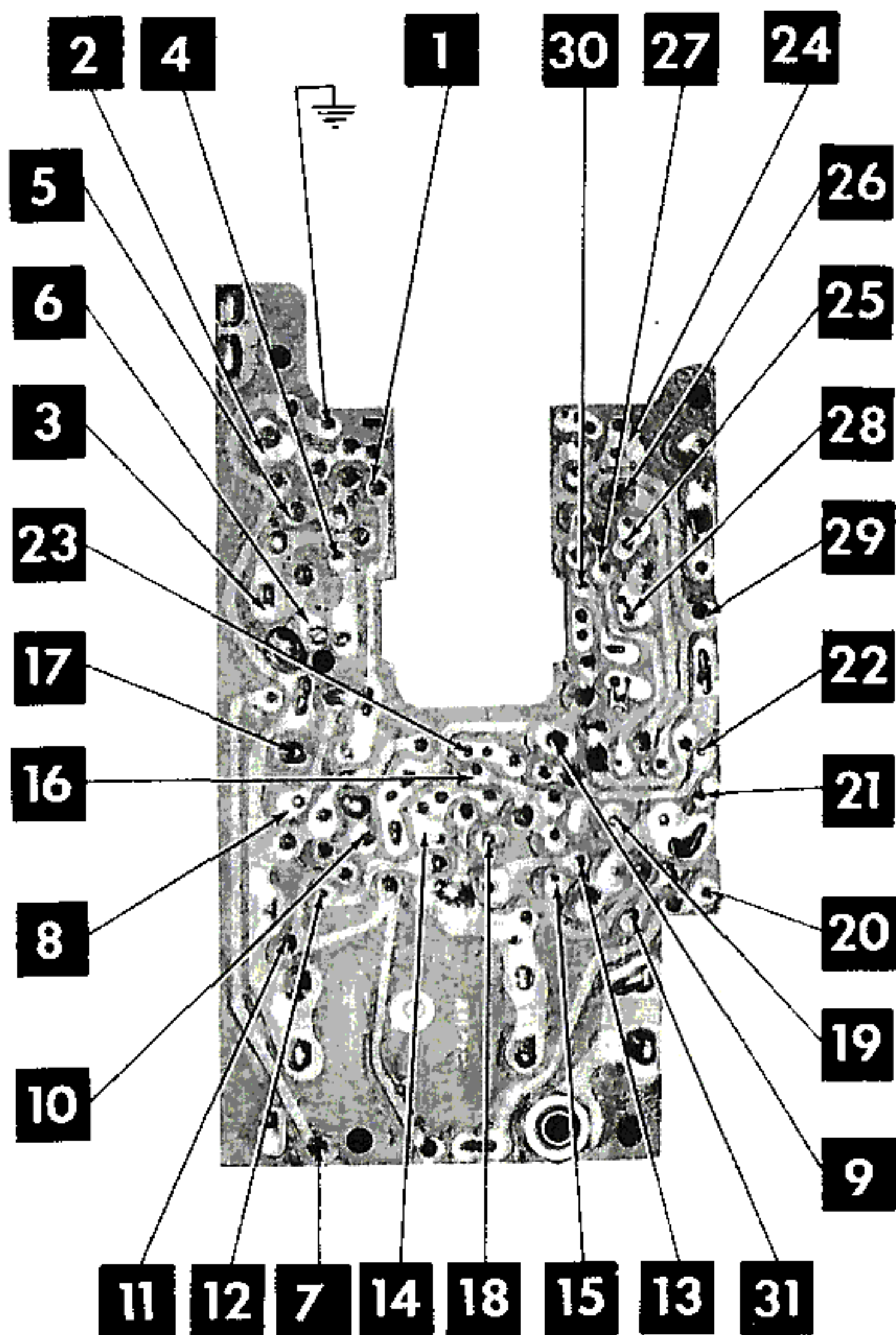
* Alternate Value.

COILS (RF-IF)

ITEM No.	USE	REPLACEMENT DATA			NOTES
		G. E. PART No.	Merit PART No.	Miller PART No.	
L1	Loopstick	RS-2584			
L2	Osc. Coil	RS-2583			
L3	1st IF Trans.	RS-2580			
L4	2nd IF Trans.	RS-2581			
L5	3rd IF Trans.	RS-2582			

PRINTED BOARD

A Howard W. Sams **CIRCUITRACE** Photo



PARTS LIST AND DESCRIPTIONS (Continued)

TRANSFORMER (DRIVER)

ITEM No.	TURNS RATIO		REPLACEMENT DATA					NOTES
			G. E. PART No.	Merit PART No.	Stancor PART No.	Thordarson PART No.	Triad PART No.	
	PRI.	SEC.						
T1	4.1	1	RS-2578					

TRANSFORMER (AUDIO OUTPUT)

ITEM No.	IMPEDANCE		REPLACEMENT DATA					NOTES
			G. E. PART No.	Merit PART No.	Stancor PART No.	Thordarson PART No.	Triad PART No.	
	PRI.	SEC.						
T2	90Ω CT	14-16Ω	RS-2579①					① "A" version only.

SPEAKER

ITEM No.	TYPE			REPLACEMENT DATA		NOTES
				G. E. PART No.	QUAM PART No.	
	SIZE	FIELD	V. C. IMP.			
SP1	2 3/4"	PM	14-16Ω	RS-1911 *	27A08Z18	* "B" versions use magnetic-pole speaker

BATTERIES

ITEM No.	VOLTAGE	G. E. PART No.	REPLACEMENT DATA						NOTES
			BURGESS		EVEREADY		MALLORY		
			"A"	"B"	"A"	"B"	"A"	"B"	
M1	9V			P8		226		M-1600	

CRYSTAL DIODES

ITEM No.	ORIG. TYPE	REPLACEMENT DATA			NOTES
		G. E. PART No.	RAYTHEON PART No.	SYLVANIA PART No.	
M2	1N82A	RS-1811	1N82A	1N82A	Detector (Pigtail)

MISCELLANEOUS

ITEM No.	PART NAME	G. E. PART No.	NOTES
M3	Tuning Cap.	RS-2585	2 Gang

CABINETS & CABINET PARTS

(When Ordering Cabinets & Cabinet Parts, Specify Model, Chassis & Color)

NAME	PART NO.	DESCRIPTION
Knob Ass'y.	RS-2568	Tuning
Knob	RS-2567	Volume
Cabinet	RB-1151	Front Assembly, White, Includes Grille and Cloth
Cabinet	RB-1152	Back Assembly, Black, Model P790A
Cabinet	RB-1153	Back Assembly, Turquoise, Model P791A
Grille	RS-2566	

WIRING DATA

General-use Unshielded Hook-up Wire Use BELDEN No. 8530 (Solid) Available in Ten Colors
8524 (Stranded) Available in Ten Colors

CHASSIS—TOP VIEW

