

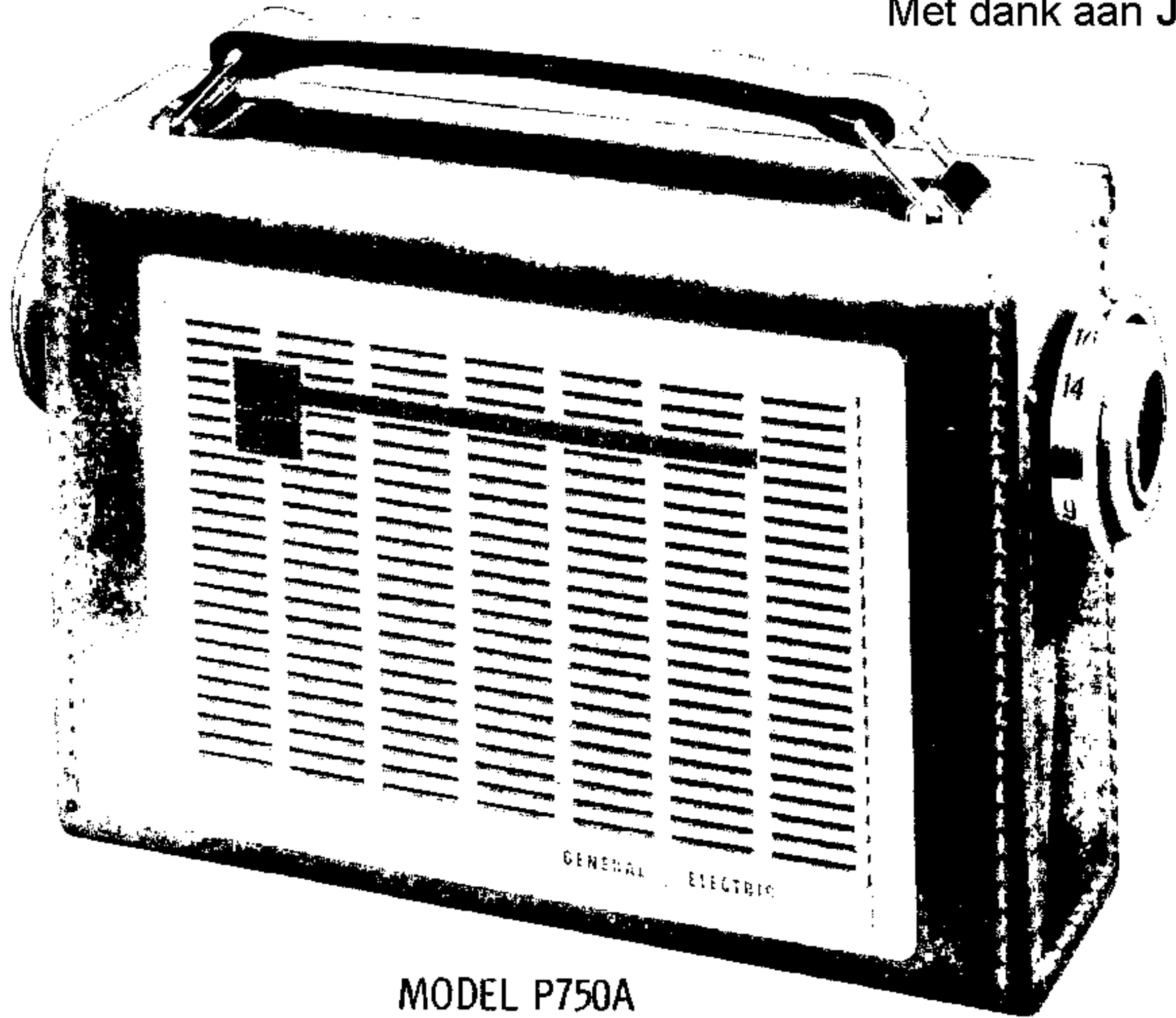
PHOTOFACT* Folder
TRADE MARK



**GENERAL ELECTRIC MODELS
 P725B, P726B, P750A**

with **CIRCUITRACE***
TRADE MARK

Met dank aan Jef Bos

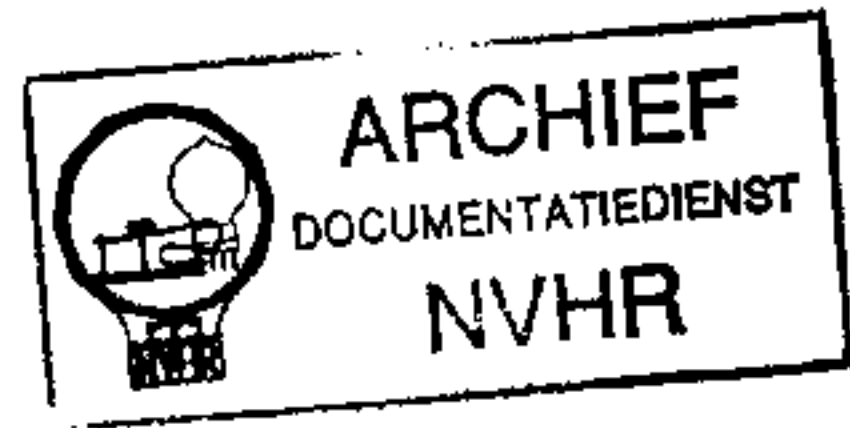


MODEL P750A

TRADE NAME	General Electric Models P725B, P726B, P750A	
MANUFACTURER	General Electric Co., Products Service, Radio Receiver Dept., 869 Broad St., Utica, N. Y.	
TYPE SET	Battery Operated Portable AM Transistorized Receiver	
POWER SUPPLY	4.5 Volts DC	RATING 17MA @ 4.5 Volts DC (No Signal, Minimum Volume)
TUNING RANGE—BROADCAST	535-1620KC	20MA @ 4.5 Volts DC (Signal, Normal Volume).

Ned. Ver. v. Historie v/d R

ALIGNMENT INSTRUCTION

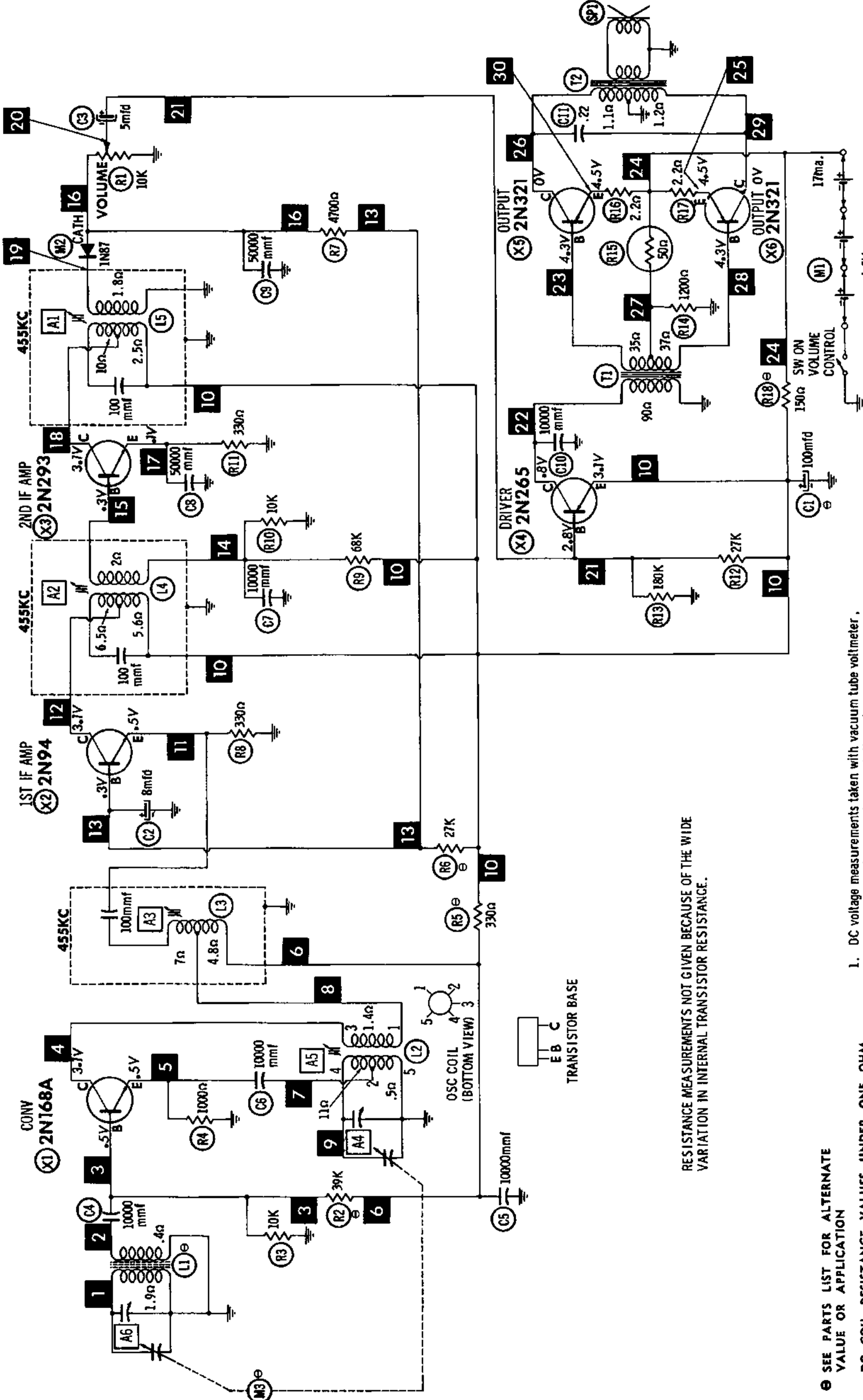


ALIGNMENT INSTRUCTIONS—READ CAREFULLY BEFORE ATTEMPTING ALIGNMENT						
Volume control should be at maximum position. Output of signal generator should be no higher than necessary to obtain an output reading. Use an insulated alignment screwdriver for adjusting.						
DUMMY ANTENNA	SIGNAL GENERATOR COUPLING	SIGNAL GENERATOR FREQUENCY	RADIO DIAL SETTING	OUTPUT METER	ADJUST	REMARKS
1.	Loop	455KC (400v Mod.)	Tuning gang fully open.	Across voice coil.	A1, A2, A3	Adjust for maximum output.
2.	Loop	1620KC	"	"	A4	"
3.	"	600KC	600KC	"	A5	Adjust for maximum output while rocking tuning gang. Repeat Steps 2 & 3.
4.	"	1500KC	Tune to 1500KC signal.	"	A6	Adjust for maximum output.

HOWARD W. SAMS & CO., INC. • Indianapolis 5, Indiana

The listing of any available replacement part herein does not constitute in any case a recommendation, warranty or guaranty by Howard W. Sams & Co., Inc., as to the quality and suitability of such replacement part. The numbers of these parts have been compiled from information furnished to Howard W. Sams & Co., Inc., by the manufacturers of H657

the particular type of replacement part listed. Reproduction or use, without express permission, of editorial or pictorial content, in any manner, is prohibited. No patent liability is assumed with respect to the use of the information contained herein. © 1958 Howard W. Sams & Co., Inc., Indianapolis 5, Indiana. Printed in U.S. of America



SEE PARTS LIST FOR ALTERNATE VALUE OR APPLICATION

DC COIL RESISTANCE VALUES UNDER ONE OHM NOT SHOWN ON SCHEMATIC DIAGRAM

A PHOTOFAC STANDARD NOTATION SCHEMATIC with **CIRCUITRACE** TRADE MARK ©Howard W. Sams & Co., Inc. 1958

RESISTANCE MEASUREMENTS NOT GIVEN BECAUSE OF THE WIDE VARIATION IN INTERNAL TRANSISTOR RESISTANCE.

1. DC voltage measurements taken with vacuum tube voltmeter.
2. Socket connections are shown as bottom views.
3. Measured values are from socket pin to common negative.
4. Nominal tolerance on component values makes possible a variation of $\pm 15\%$ in voltage and resistance readings.
5. Volume control at maximum. no signal applied for voltage measurements.

PARTS LIST AND DESCRIPTIONS

TRANSISTORS

ITEM No.	ORIG. TYPE	USE	REPLACEMENT DATA				NOTES
			CBS PART No.	RCA PART No.	RAYTHEON PART No.	SYLVANIA PART No.	
X1	2N168A	Converter	CBS-2N439			2N212	NPN Note 1
X2	2N94	1st IF Amplifier	CBS-2N438			2N94	NPN
X3	2N293	2nd IF Amplifier	CBS-2N439			2N218	NPN Note 2
X4	2N265	Driver		2N407	2N362	2N406	PNP
X5	2N321	Output		2N270	2N360	2N321	PNP Note 3
X6	2N321	Output		2N270	2N360	2N321	PNP Note 3

Note 1. Some versions may use type 2N164A in this application.

Note 2. Some versions may use type 2N314 in this application.

Note 3. Some versions may use type 2N241A or 2N270 in this application.

ELECTROLYTIC CAPACITORS

ITEM No.	RATING		REPLACEMENT DATA						
	CAP.	VOLT.	G. E. PART No.	AEROVOX PART No.	CORNELL-DUBILIER PART No.	MALLORY PART No.	PYRAMID PART No.	SANGAMO PART No.	SPRAGUE PART No.
C1	100	10	①	PRS12V100	BBR100-15	TT15X100	TD-100-15	MTH-1210	TVA-1103
C2	8	10	RCE-225	PWE10008	NL10-10	TT25X8	MLB-15	MQ-1507	R2201*
C3	5	10		XPP-10005	NL5-15	TT12X5	ML5-15	MMT-0505	TE-1127

* Non-Catalog Item.

① Some versions may use a 175mfd @ 6VDC (Part # RS-1458)

FIXED CAPACITORS

Capacity values given in the rating column are in mfd. for Paper Capacitors, and in mmfd. for Mica and Ceramic Capacitors.

ITEM No.	RATING		REPLACEMENT DATA						NOTES
	CAP.	VOLT.	G. E. PART No.	AEROVOX PART No.	CENTRALAB PART No.	CORNELL-DUBILIER PART No.	MALLORY PART No.	SPRAGUE PART No.	
C4	10000		RS-1022	BPD-01	DD-103	BYA6S1	DC511	5HK-S1	
C5	10000		RS-1022	BPD-01	DD-103	BYA6S1	DC511	5HK-S1	
C6	10000		RS-1022	BPD-01	DD-103	BYA6S1	DC511	5HK-S1	
C7	10000		RS-1022	BPD-01	DD-103	BYA6S1	DC511	5HK-S1	
C8	50000		RS-1024	BPD-05				TG-S50	
C9	50000		RS-1024	BPD-05				TG-S50	
C10	10000		RS-1022	BPD-01	DD-103	BYA6S1	DC511	5HK-S1	
C11	.22	100		P288N-22		CUB2P22	GEM-2022	2TM-P22	

CONTROLS

ITEM No.	RATING		REPLACEMENT DATA					INSTALLATION NOTES
	RESISTANCE	WATTS	G. E. PART No.	CENTRALAB PART No.	CLAROSTAT PART No.	IRC PART No.	MALLORY PART No.	
R1	10K	1/2	RS-1347					Volume & Switch

RESISTORS

All wattages 1/2 watt, or less, unless otherwise listed.

ITEM No.	RATING		G. E. PART No.	NOTES	ITEM No.	RATING		G. E. PART No.	NOTES
	OHMS	WATT				OHMS	WATT		
R2	39K			Note 1.	R11	330Ω			
R3	10K				R12	27K			
R4	1000Ω				R13	180K			
R5	330Ω			Note 2.	R14	1200Ω			
R6	27K			Note 3.	R15	50Ω		RS-1355	
R7	4700Ω				R16	2.2Ω			
R8	330Ω				R17	2.2Ω			
R9	68K				R18	150Ω			Note 4.
R10	10K								

Note 1. Some versions may use 18K in this application.

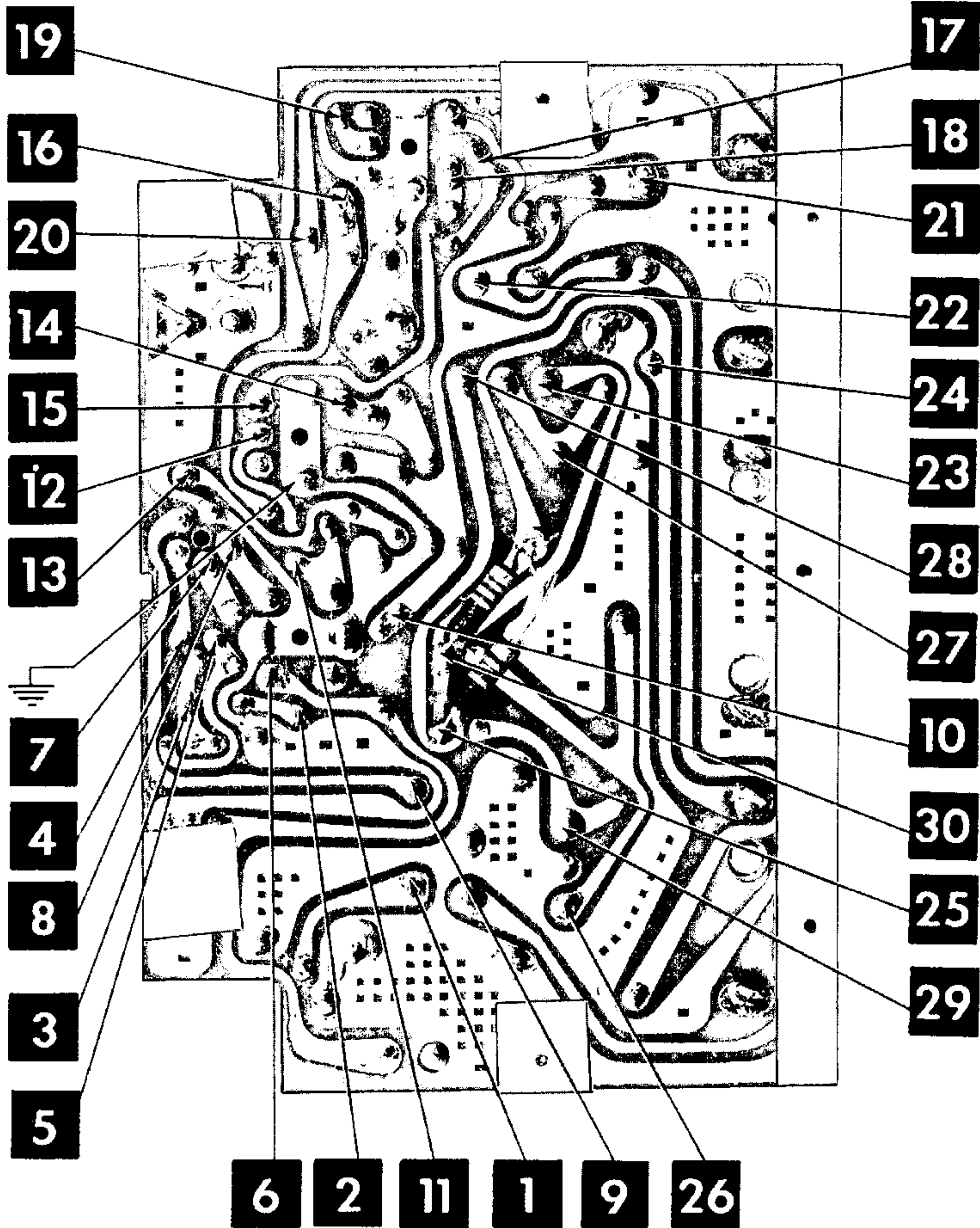
Note 2. Some versions may use 1000Ω in this application.

Note 3. Some versions may use 33K to 56K in this application.

Note 4. Some versions may use 100Ω in this application.

PRINTED BOARD

A Howard W. Sams **CIRCUITRACE*** Photo
*TRADE MARK



PARTS LIST AND DESCRIPTIONS (Continued)

COILS (RF-IF)

ITEM No.	USE	REPLACEMENT DATA					NOTES
		G. E. PART No.	Meissner PART No.	Merit PART No.	Miller PART No.	Ram PART No.	
L1	Loop Stick	RS-1386					Model P750A Models P725B, P726B Includes 100mmf Cap.
L2	Loop Stick	RS-1354					
L3	Osc. Coil	RS-1351					
L4	1st IF	RS-1348					
L5	2nd IF	RS-1349					
	3rd IF	RS-1350					

TRANSFORMER (DRIVER)

ITEM No.	TURNS RATIO		REPLACEMENT DATA					NOTES
			G. E. PART No.	Haldorson PART No.	Merit PART No.	Stancor PART No.	Thordarson PART No.	
	PRI.	SEC.						
T1	1.5	:1	RS-1352 (113A6433)				TR-66	

TRANSFORMER (AUDIO OUTPUT)

ITEM No.	IMPEDANCE		REPLACEMENT DATA					NOTES
			G. E. PART No.	Haldorson PART No.	Merit PART No.	Ram PART No.	Stancor PART No.	
	PRI.	SEC.						
T2	1400 CT	3-4Ω	RS-1553 (113A6434)					

SPEAKER

ITEM No.	TYPE			REPLACEMENT DATA		NOTES
				G. E. PART No.	QUAM PART No.	
	SIZE	FIELD	V. C. IMP.			
SP1	4"	PM	3-4Ω	RB-1057 (671C268)	4A1	

BATTERIES

ITEM No.	VOLTAGE	G. E. PART No.	REPLACEMENT DATA						NOTES
			BURGESS		EVEREADY		MALLORY		
			"A"	"B"	"A"	"B"	"A"	"B"	
M1	4.5V			2R ①		960 ①		M-13R ①	① 3 Used.

CRYSTAL DIODES

ITEM No.	ORIG. TYPE	REPLACEMENT DATA			NOTES
		G. E. PART No.	CBS PART No.	SYLVANIA PART No.	
M2	IN87		IN84	IN295	Detector (Pigtail)

MISCELLANEOUS

ITEM No.	PART NAME	G. E. PART No.	NOTES
M3	Tuning Cap Tuning Cap	RS-1423 RS-1346	2 Gang, Model P750A 2 Gang, Models P725B, P726B

CABINETS & CABINET PARTS

(When Ordering Cabinets & Cabinet Parts, Specify Model, Chassis & Color)

WIRING DATA

General-use Unshielded Hook-up Wire Use BELDEN No. 8530 (Solid) Available in Ten Colors
8524 (Stranded) Available in Ten Colors

CHASSIS—TOP VIEW

