

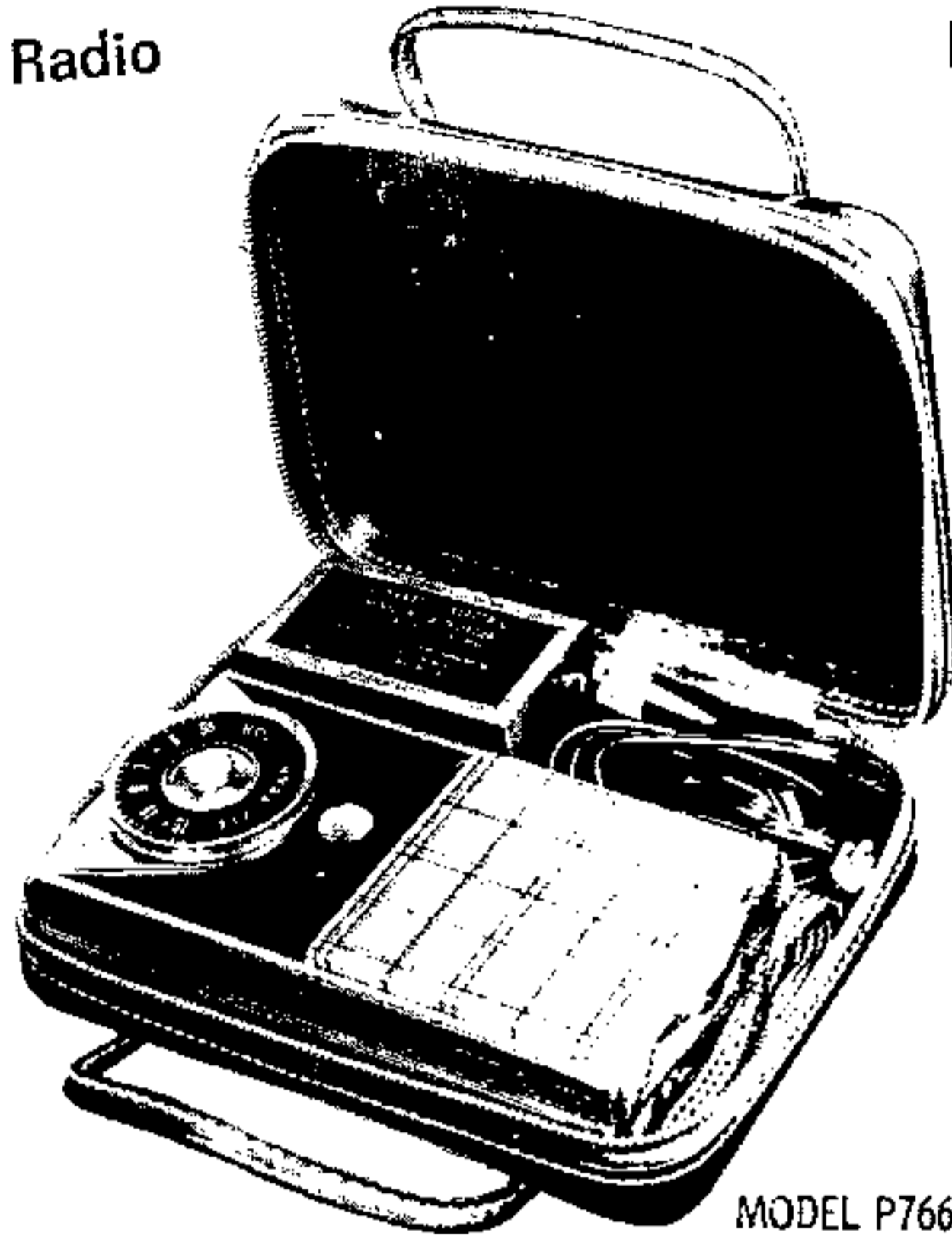
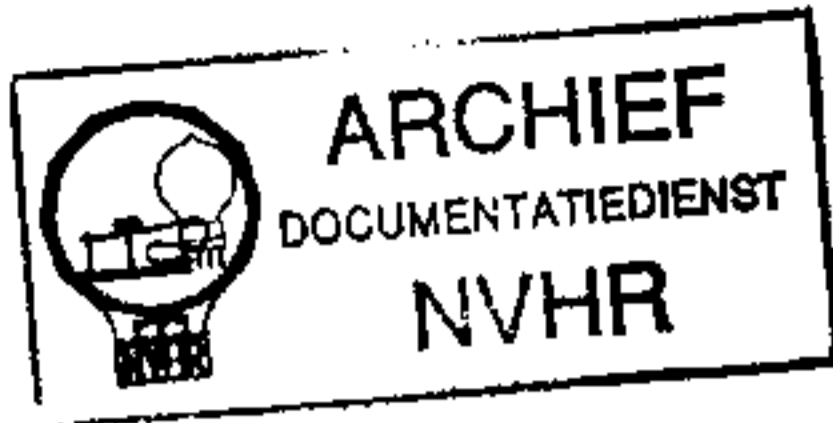
PHOTOFACT* Folder
*TRADE MARK

**GENERAL ELECTRIC MODELS P15A, P715A,
B, C, P716A, B, P765A, B, P766A, B**

with **CIRCUITRACE***
*TRADE MARK

Ned. Ver. v. Historie v/d Radio

Met dank aan Jef Bos



MODEL P766A

TRADE NAME General Electric Models P715A, P715B, P716A, P716B, P765A, P765B, P766A, P766B; Charger Unit P15A
MANUFACTURER General Electric Co., Products Service, Radio Receiver Dept., 869 Broad St., Utica, N. Y. P715C
TYPE SET Battery Operated Portable AM Transistorized Receiver

POWER SUPPLY 3 Volts DC

RATING 21MA @ 3 Volts DC

TUNING RANGE—BROADCAST 540 - 1620KC

ALIGNMENT INSTRUCTIONS

ALIGNMENT INSTRUCTIONS—READ CAREFULLY BEFORE ATTEMPTING ALIGNMENT

Volume control should be at maximum position. Output of signal generator should be no higher than necessary to obtain an output reading. Use an insulated alignment screwdriver for adjusting.

DUMMY ANTENNA	SIGNAL GENERATOR COUPLING	SIGNAL GENERATOR FREQUENCY	RADIO DIAL SETTING	OUTPUT METER	ADJUST	REMARKS
1.	Loop	455KC (400% Mod)	Tuning gang fully open	Across voice coil	A1, A2, A3	Fashion loop of several turns of wire and radiate signal into loop of receiver. Adjust for maximum output.
2.	"	1620KC	"	"	A4	"
3.	"	600KC	600KC	"	A5	Fashion loop of several turns of wire and radiate signal into loop of receiver. Adjust for maximum output while rocking tuning gang. Repeat steps 2 and 3.
4.	"	1400KC	Tune to 1400KC signal	"	A6	Fashion loop of several turns of wire and radiate signal into loop of receiver. Adjust for maximum output.

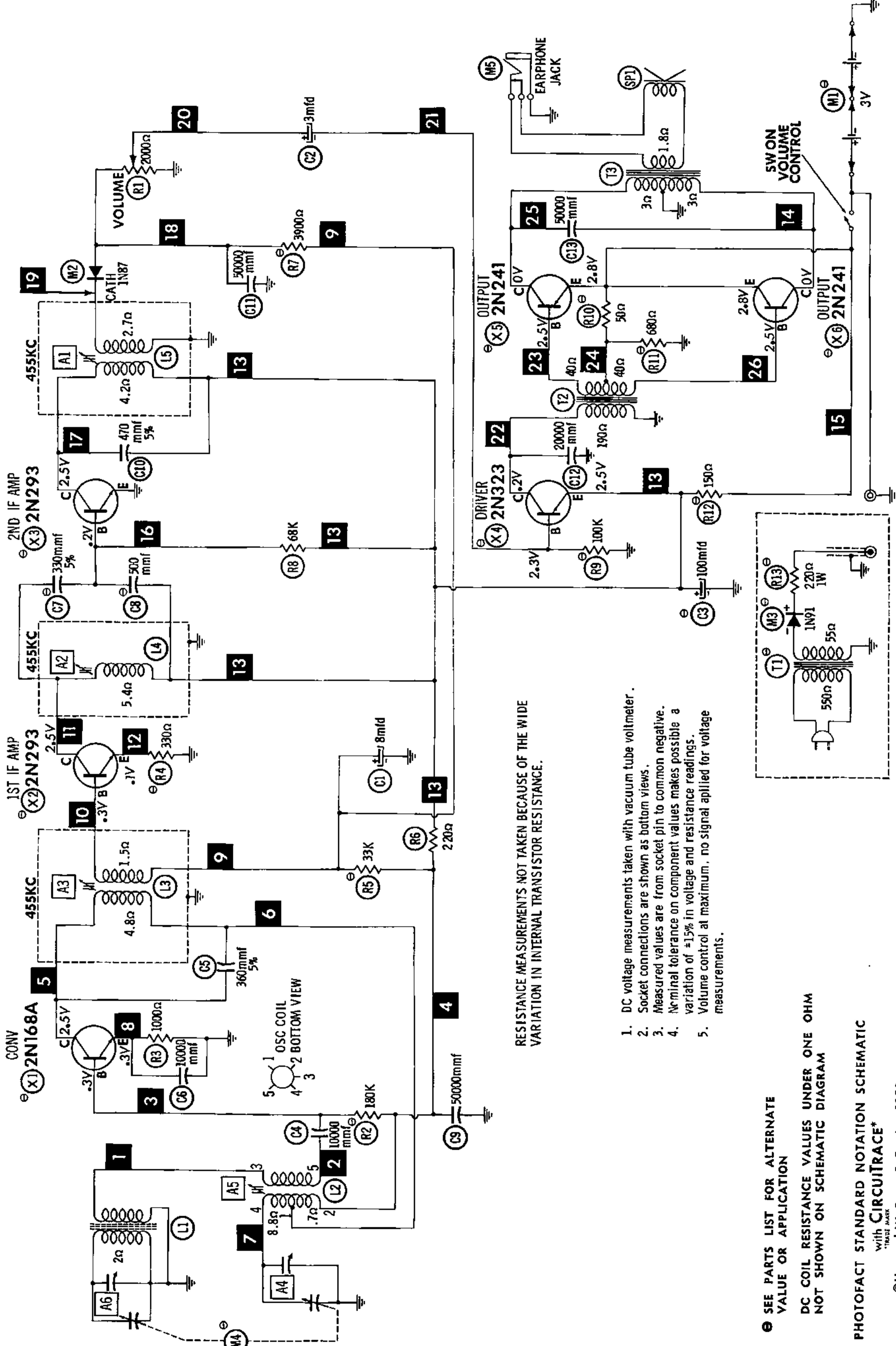
DISASSEMBLY

1. Remove cap from speaker end of cabinet. Unsolder wire from chassis bracket.
2. Straighten metal tab holding speaker grille.
3. Remove speaker grille.
4. Disconnect speaker and remove.
5. Remove volume knob.
6. Remove tuning dial screw and tuning knob.
7. Remove screw near tuning shaft.
8. Remove screw from cap on tuning end of cabinet.
9. Slide chassis about $\frac{1}{2}$ " toward tuning end of cabinet.
10. Unsolder 3 connections from loop. Observe color coding.
11. Continue sliding chassis from cabinet.

HOWARD W. SAMS & CO., INC. • Indianapolis 5, Indiana

The listing of any available replacement part herein does not constitute in any case a recommendation, warranty or guaranty by Howard W. Sams & Co., Inc., as to the quality and suitability of such replacement part. The numbers of these parts have been compiled from information furnished to Howard W. Sams & Co., Inc., by the manufacturers of H626

the particular type of replacement part listed. Reproduction or use, without express permission, of editorial or pictorial content, in any manner, is prohibited. No patent liability is assumed with respect to the use of the information contained herein. © 1958 Howard W. Sams & Co., Inc., Indianapolis 5, Indiana. Printed in U.S. of America



RESISTANCE MEASUREMENTS NOT TAKEN BECAUSE OF THE WIDE VARIATION IN INTERNAL TRANSISTOR RESISTANCE.

1. DC voltage measurements taken with vacuum tube voltmeter.
2. Socket connections are shown as bottom views.
3. Measured values are from socket pin to common negative.
4. Nominal tolerance on component values makes possible a variation of $\pm 15\%$ in voltage and resistance readings.
5. Volume control at maximum, no signal applied for voltage measurements.

SEE PARTS LIST FOR ALTERNATE VALUE OR APPLICATION
 DC COIL RESISTANCE VALUES UNDER ONE OHM NOT SHOWN ON SCHEMATIC DIAGRAM

A PHOTOFACIT STANDARD NOTATION SCHEMATIC with CIRCUITRACE*
 ©Howard W. Sams & Co., Inc. 1958

PARTS LIST AND DESCRIPTIONS

TRANSISTORS

ITEM No.	ORIG. TYPE	USE	REPLACEMENT DATA					NOTES
			CBS PART No.	RCA PART No.	RAYTHEON PART No.	SYLVANIA PART No.		
X1	2N168A	Conv.	2N439			2N212	NPN Note 1	
X2	2N293	1st IF	2N439			2N94	NPN Note 2	
X3	2N293	2nd IF	2N439			2N94	NPN Note 3	
X4	2N323	Driver		2N408	2N362	2N270	PNP Notes 4, 5	
X5	2N241	Output	2N180	2N408	2N632	2N217	PNP Notes 5, 6	
X6	2N241	Output	2N180	2N408	2N632	2N217	PNP Notes 5, 6	

Note 1. Alternate type 2N164A.
 Note 2. Alternate type 2N314.
 Note 3. Alternate type 2N314.
 Note 4. Alternate type 2N191.
 Note 5. Models P715B, P716B use type 2N217.
 Note 6. Models P715, P716 use type 2N241 or 2N321.

ELECTROLYTIC CAPACITORS

ITEM No.	RATING		REPLACEMENT DATA					SPRAGUE PART No.
	CAP.	VOLT.	CORNELL-DUBILIER PART No.	MALLORY PART No.	PYRAMID PART No.	SANGAMO PART No.		
C1	8	3	NL8-6	TT6X8	ML8-6		TE-1086	
C2	3	3	NL3-6	TT6X2	ML4-6		TE-1082	
C3	100	3	NL100-6	TT6X100	ML100-3		TE-1102	

① Models P715 & P716 use 50mfd in this application.

FIXED CAPACITORS

Capacity values given in the rating column are in mfd. for Paper Capacitors, and in mmfd. for Mica and Ceramic Capacitors.

ITEM No.	RATING		REPLACEMENT DATA					NOTES
	CAP.	VOLT.	G. E. PART No.	CORNELL-DUBILIER PART No.	MALLORY PART No.	SPRAGUE PART No.		
C4	10000		BPD-04	BYA 6S1	DC511	BL-S10		
C5	360		1469-00036	5R5T36	DC511	MSS36	5%	
C6	10000		BPD-01	BYA 6S1	UC-535	TG-S10	5% ① ②	
C7	330		1469-00033	5R5T33		MSS33		
C8	500		BPD-0005	L10T5		5GA-T5		
C9	50000		BPD-05	5R5T47		TG-S50	5%	
C10	470		1464-00047	BYB 6S2		MS347		
C11	50000		BPD-05			TG-S50		
C12	20000		BPD-02			5HK-S2		
C13	50000		BPD-05			TG-S50		

① Models P715, B, P716, B use 200mmf in this application.
 ② Models P715, B, P716, B use 1000mmf in this application.

CONTROLS

ITEM No.	RATING		REPLACEMENT DATA					INSTALLATION NOTES
	RESISTANCE	WATTS	G. E. PART No.	CENTRALAB PART No.	CLAROSTAT PART No.	IRC PART No.	MALLORY PART No.	
R1	2000Ω	1/4	RRC-420				Volume & Switch	

RESISTORS

All wattages 1/2 watt, or less, unless otherwise listed.

ITEM No.	RATING		G. E. PART No.	NOTES	G. E. PART No.	NOTES
	OHMS	WATT				
R2	180K			①		
R3	1000Ω			②		
R4	330Ω			③		
R5	33K			④		
R6	220Ω					
R7	3900Ω					
R8	68K					⑤
R9	100K					⑥
R10	50Ω				RS-1355	⑦
R11	680Ω					⑧
R12	150Ω					⑨
R13	220Ω					⑩

① Models P715, P716 use 150K in this application.
 ② Some versions use 270Ω in this application.
 ③ Models P715, P716 use 1000Ω in this application.
 ④ Models P715, P716 use 120K in this application.
 ⑤ Models P715, P716 use 4700Ω in this application.
 ⑥ Models P715, P716 use 220K in this application.
 ⑦ Models P715B, P716B use 68K in this application.

COILS (RF-IF)

ITEM No.	USE	REPLACEMENT DATA					NOTES
		G. E. PART No.	Meissner PART No.	Merit PART No.	Miller PART No.	Ram PART No.	
L1	Loop Stick						
L2	Osc. Coil	RLL-072					
L3	1st IF	RLC-147					
L4	2nd IF	RS-1334					
L5	3rd IF	RS-1333					
		RTL-213					

TRANSFORMER (POWER)

ITEM No.	RATING	REPLACEMENT DATA					NOTES
		G. E. PART No.	Halderson PART No.	Merit PART No.	Ram PART No.	Stancor PART No.	
T1	PRI. 117V SEC. 1 IIV ② .05A ③ .012A						
		RTC-006 ①					

① Early versions used a 2.7V secondary and omitted R13.

PARTS LIST AND DESCRIPTIONS (Continued)

TRANSFORMER (DRIVER)

ITEM No.	TURNS RATIO		REPLACEMENT DATA					NOTES	
	PRI.	SEC.	G. E. PART No.	Hallidson PART No.	Merit PART No.	Stancor PART No.	Thordarson PART No.		Triad PART No.
T2									

TRANSFORMER (AUDIO OUTPUT)

ITEM No.	IMPEDANCE	REPLACEMENT DATA					NOTES				
		PRI.	SEC.	G. E. PART No.	Hallidson PART No.	Merit PART No.		Ram PART No.	Stancor PART No.	Thordarson PART No.	Triad PART No.
T3											

SPEAKER

ITEM No.	TYPE	REPLACEMENT DATA		NOTES
		G. E. PART No.	QUAM PART No.	
		RS-1038		
SP1	2 3/4" PM	18Ω		

BATTERIES

ITEM No.	VOLTAGE	G. E. PART No.	REPLACEMENT DATA			NOTES
			BURGESS	EVEREADY	MALLORY	
M1	3V		Z (1)	915 (1)	M-15RD (1)	Two used

Two type AA Nickel Cadmium Rechargeable Cells used in Charger Unit.

CRYSTAL DIODES

ITEM No.	ORIG. TYPE	REPLACEMENT DATA			NOTES
		G. E. PART No.	CBS PART No.	SYLVANIA PART No.	
M2	IN87				
M3	IN91 *				

* Some versions may use IN92 in this application.

MISCELLANEOUS

ITEM No.	PART NAME	G. E. PART No.	NOTES
M4	Tuning Cap.	RS-1434	2 Gang (Ant. 9-134mmf, Osc. 13-88mmf) Models P765A, P766A 2 Gang, Models P765B, P766B Earphone
	Tuning Cap.	RS-1361	
	Jack	RJS-230	
M5	Printed Board	T-111J273	

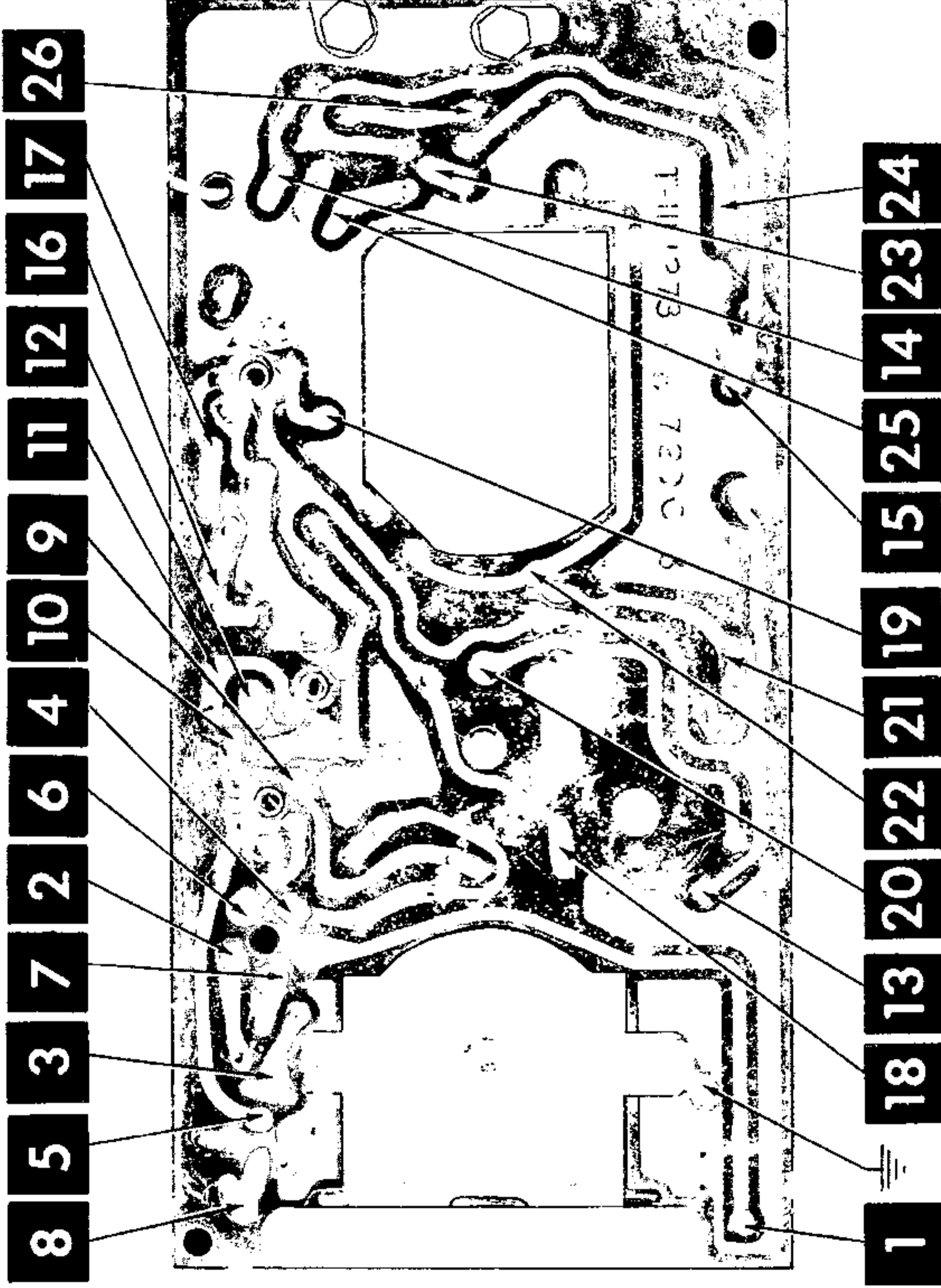
CABINETS & CABINET PARTS

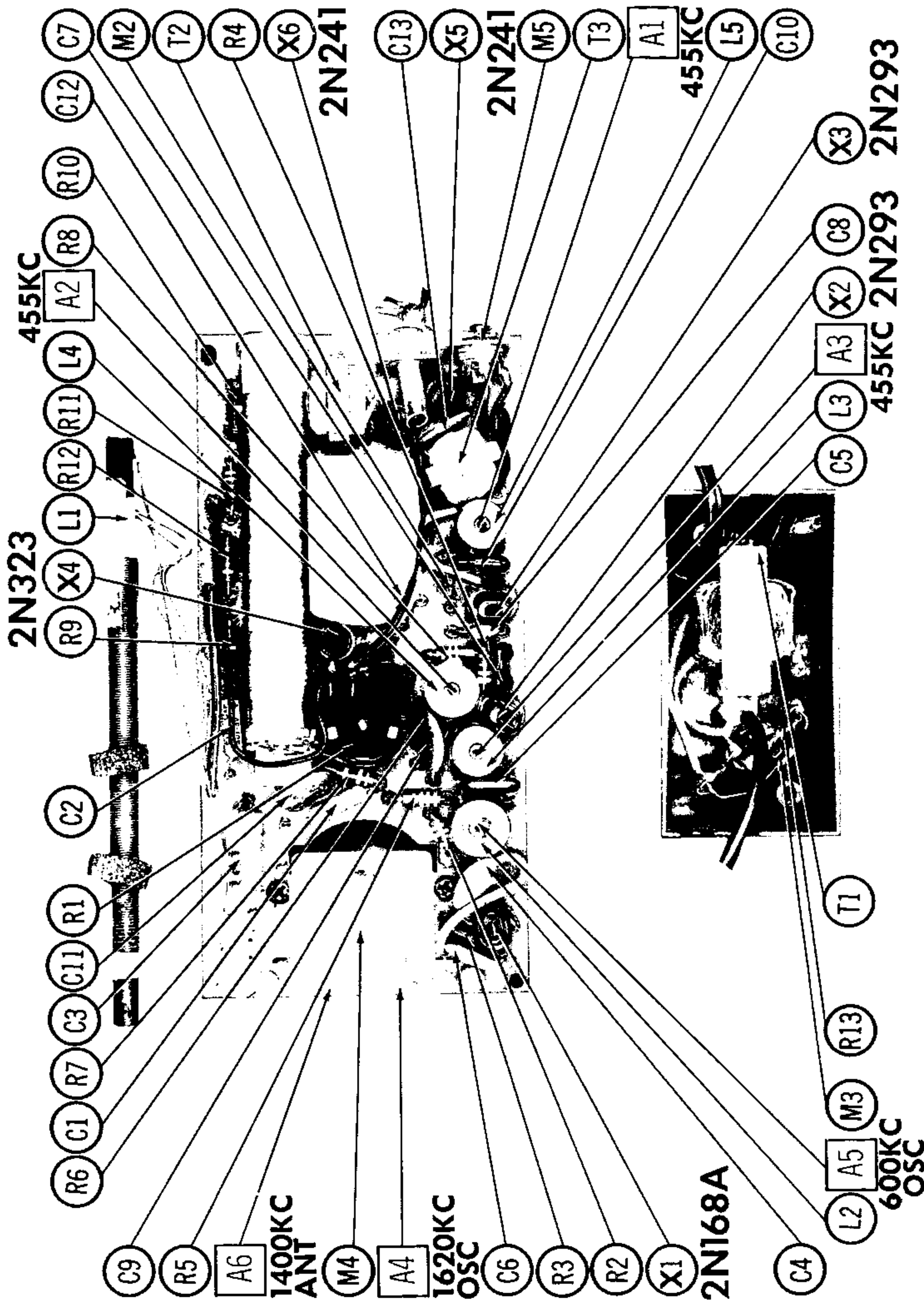
(When Ordering Cabinets & Cabinet Parts, Specify Model, Chassis & Color)

NAME	PART NO.	DESCRIPTION
Dial Knob Cabinet	RS-1358 RDK-636 RAY-1041 RAY-1040	Tuning On-Off-Volume Models P766A, B Models P765A, B

WIRING DATA

General-use Unshielded Hook-up Wire Use BELDEN No. 8530 (Solid) Available in Ten Colors
8524 (Stranded) Available in Ten Colors





CHASSIS TOP VIEW