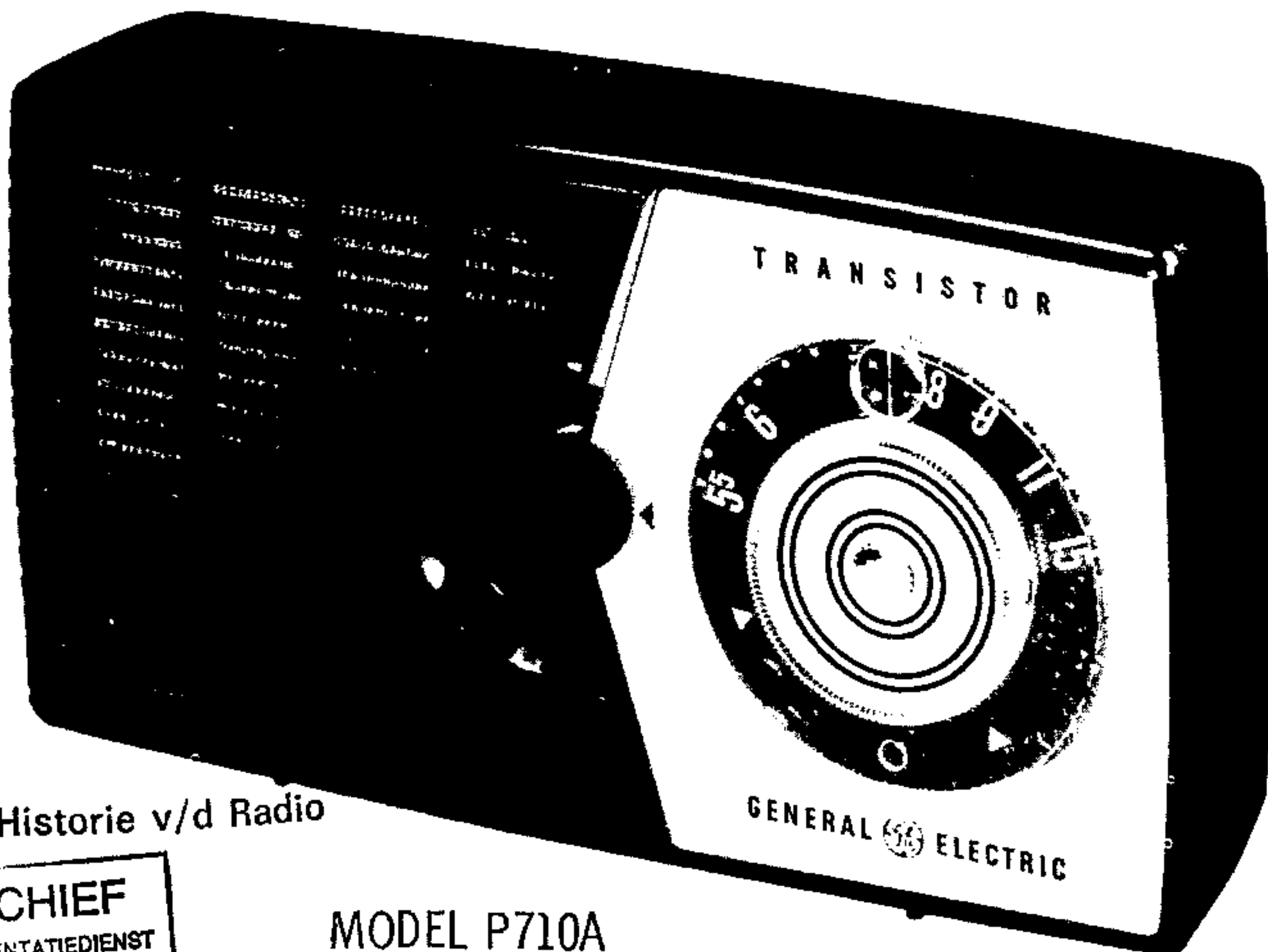




Met dank aan Jef Bos



Ver. v. Historie v/d Radio



MODEL P710A

TRADE NAME General Electric Models P710A, P710B, P710C, P711A, P711B, P711C
MANUFACTURER General Electric Co., Products Service, Radio Receiver Dept., 869 Broad St., Utica, N. Y.
TYPE SET Battery Operated Portable AM Transistorized Receiver

POWER SUPPLY 6 Volts DC **RATING** 9.7MA @ 6 Volts DC
TUNING RANGE—BROADCAST 540KC - 1620KC

ALIGNMENT INSTRUCTIONS—READ CAREFULLY BEFORE ATTEMPTING ALIGNMENT

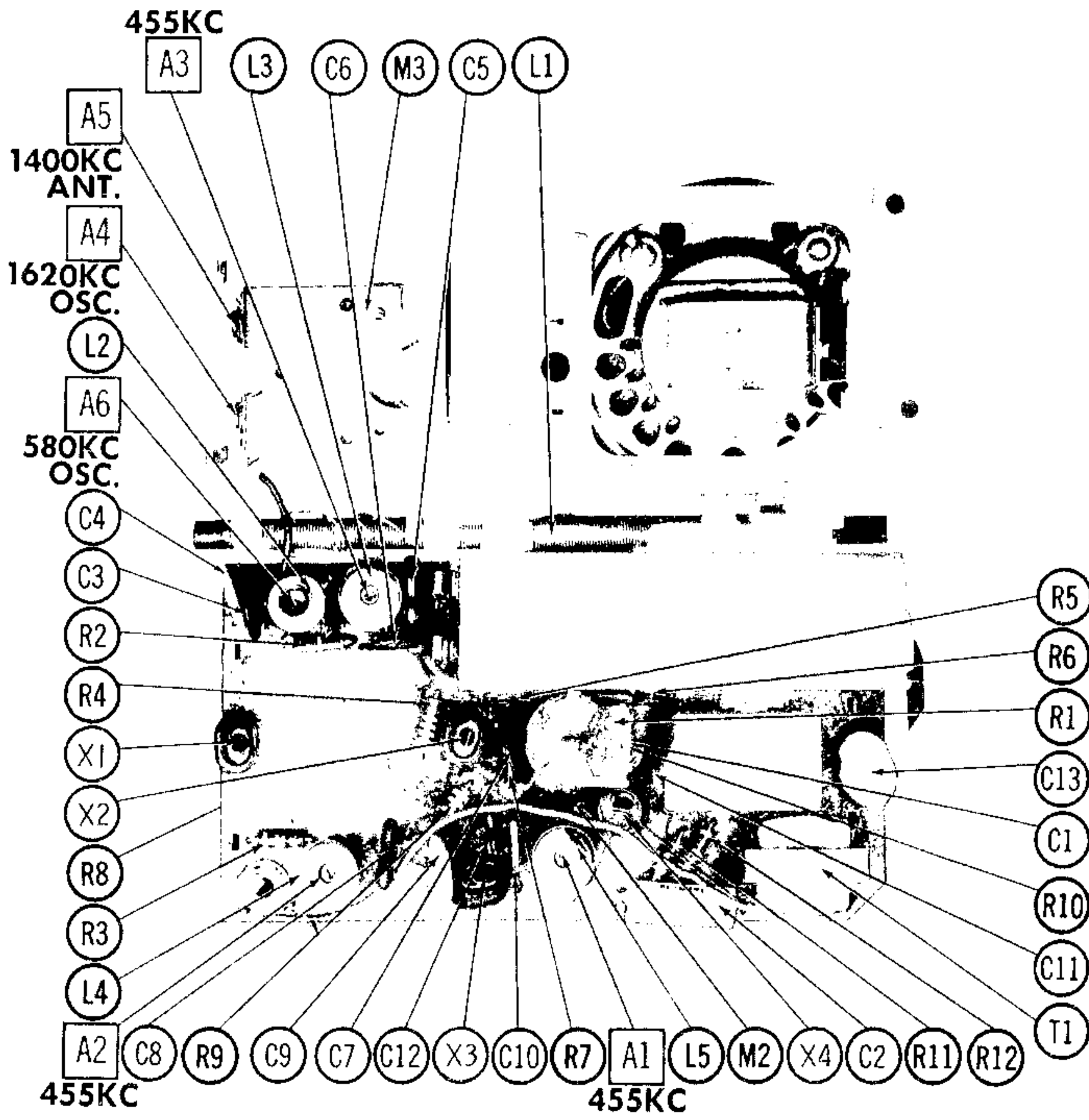
Volume control should be at maximum position. Output of signal generator should be no higher than necessary to obtain an output reading. Use an insulated alignment screwdriver for adjusting.

DUMMY ANTENNA	SIGNAL GENERATOR COUPLING	SIGNAL GENERATOR FREQUENCY	RADIO DIAL SETTING	OUTPUT METER	ADJUST	REMARKS
1. .05MFD	High side to Antenna Stator Lug on tuning gang. Low side to B-	455KC (400% Mod)	Tuning gang fully open	Across voice coil	A1, A2, A3	Adjust for maximum output.
2.	Loop	1620KC	"	"	A4	Fashion loop of several turns of wire and radiate signal into loop of receiver. Adjust for maximum output.
3.	"	1400KC	Tune to 1400KC signal	"	A5	Fashion loop of several turns of wire and radiate signal into loop of receiver. Adjust for maximum output while rocking tuning gang.
4.	"	580KC	580KC	"	A6	Adjust for maximum output while rocking tuning gang.

HOWARD W. SAMS & CO., INC. • Indianapolis 5, Indiana

The listing of any available replacement part herein does not constitute in any case a recommendation, warranty or guaranty by Howard W. Sams & Co., Inc., as to the quality and suitability of such replacement part. The numbers of these parts have been compiled from information furnished to Howard W. Sams & Co., Inc., by the manufacturers of

the particular type of replacement part listed. Reproduction or use, without express permission, of editorial or pictorial content, in any manner, is prohibited. No patent liability is assumed with respect to the use of the information contained herein. © 1957 Howard W. Sams & Co., Inc., Indianapolis 5, Indiana. Printed in U.S. of America



CHASSIS-TOP VIEW

PARTS LIST AND DESCRIPTIONS

TRANSISTORS

ITEM No.	ORIG. TYPE	USE	REPLACEMENT DATA			NOTES
			CBS PART No.	RAYTHEON PART No.	SYLVANIA PART No.	
X1 X2	2N168A 2N292	Converter 1st. IF Amplifier			2N94A	Alternate Type 2N164A Alternate Type 2N313, 2N293, 2N169, 2N314
X3 X4	2N169 2N188A	2nd. IF Amplifier Output			2N94	Alternate Type 2N165 Alternate Type 2N320

ELECTROLYTIC CAPACITORS

ITEM No.	RATING		REPLACEMENT DATA						
	CAP.	VOLT.	G. E. PART No.	AEROVOX PART No.	CORNELL-DUBILIER PART No.	MALLORY PART No.	PYRAMID PART No.	SANGAMO PART No.	SPRAGUE PART No.
C1 C2	20 50	8 10	RS-1048 RS-1047	XPP10V20 PWE10V50	NL20-15 NL50-10	TT10X50	ML20-15		R2305 *

* Non Catalog Item

FIXED CAPACITORS

Capacity values given in the rating column are in mfd. for Paper Capacitors, and in mmfd. for Mica and Ceramic Capacitors.

ITEM No.	RATING		REPLACEMENT DATA							NOTES
	CAP.	VOLT	G. E. PART No.	AEROVOX PART No.	CENTRALAB PART No.	CORNELL-DUBILIER PART No.	ERIE PART No.	MALLORY PART No.	SPRAGUE PART No.	
C3 C4 C5 C6 C7 C8 C9 C10 C11 C12 C13	10000 10000 820 3000 10000 510 8200 470 50000 1000 50000		RS-1022 RS-1022 RS-1058 RS-1053 RS-1022 RS-1049 RS-1112 RS-1050 RS-1024 RS-1051 RS-1024	BPD-01 BPD-01 BPD-01 BPD-001	DD-103 DD-103 DD-302 DD-103 DD-102	BYA6S1 BYA6S1 BYA10D3 BYA6S1 BYA6D1	ED-01 ED-01 ED-003 ED-01 ED-1000	DC511 DC511 UC-523 DC511 DC521	TG-S10 TG-S10 5GA-D3 TC-S10 TG-S50 5GA-D1 TG-S50	5% Note 1 5% Note 2 5%

Note 1. Not used in some versions.

Note 2. Some versions may use 3000MMF in this application (Part #RS-1053).

CONTROLS

ITEM No.	RATING		REPLACEMENT DATA					INSTALLATION NOTES
	RESISTANCE	WATTS	G. E. PART No.	CENTRALAB PART No.	CLAROSTAT PART No.	IRC PART No.	MALLORY PART No.	
R1	100K	1/4	RS-1038					Volume & Switch

RESISTORS

All wattages 1/2 watt, or less, unless otherwise listed.

ITEM No.	RATING		REPLACEMENT DATA		NOTES	ITEM No.	RATING		REPLACEMENT DATA		NOTES
	OHMS	WATT	G. E. PART No.	IRC PART No.			G. E. PART No.	IRC PART No.			
R2 R3 R4 R5 R6 R7	150K 1000Ω 33K 1000Ω 2200Ω 330Ω			BTS-150K BTS-1000 BTS-33K BTS-1000 BTS-2200 BTS-330	Note 1	R8 R9 R10 R11 R12	3.3Meg 47K 2200Ω 10Ω 680Ω		RS-1092	BTS-3.3Meg BTS-47K BTS-10 BTS-680	Note 2 Note 3 Note 4 Note 5

Note 1. Some versions may use 120Ω in this application.

Note 2. Value may vary from 1Meg to 6.8Meg.

Note 3. Some versions may use 22K in this application.

Note 4. Temperature compensating type.

Note 5. Some versions may use 390Ω in this application.

PARTS LIST AND DESCRIPTIONS (Continued)

TRANSFORMER (AUDIO OUTPUT)

ITEM No.	IMPEDANCE		REPLACEMENT DATA					NOTES	
	PRI.	SEC.	G. E. PART No.	Halldorson PART No.	Merit PART No.	Stancor PART No.	Thordarson PART No.		Triad PART No.
T1	450Ω	18Ω	RS-1054	GH103 ①			TR-16 ①	TY-45X ① ②	① Tape center tap on Prim. ② Remove channel mounting frame.

SPEAKER

ITEM No.	TYPE			REPLACEMENT DATA		NOTES
	SIZE	FIELD	V. C. IMP.	G. E. PART No.	QUAM PART No.	
SP1	2 3/4"	PM	18Ω	RS-1039		

COILS (RF-IF)

ITEM No.	USE	REPLACEMENT DATA				NOTES
		G. E. PART No.	MEISSNER PART No.	MERIT PART No.	MILLER PART No.	
L1	Loop Stick	RS-1040			2003	
L2	Osc. Coil	RS-1043				
L3	1st. IF	RS-1046				
L4	2nd. IF	RS-1045				
L5	3rd. IF	RS-1044				

BATTERIES

ITEM No.	VOLTAGE	G. E. PART No.	REPLACEMENT DATA								NOTES
			BURGESS		EVEREADY		MALLORY		RAY-O-VAC		
			"A"	"B"	"A"	"B"	"A"	"B"	"A"	"B"	
M1	6V		Z		1015 or 915 (Mercury cell E9)		M-15 or (Mercury cell ZM-9)		7R		Four 1.5V cells in series

CRYSTAL DIODES

ITEM No.	ORIG. TYPE	REPLACEMENT DATA			NOTES
		G. E. PART No.	CBS PART No.	SYLVANIA PART No.	
M2	1N87		1N60	1N60	Audio Det. (Pigtail)

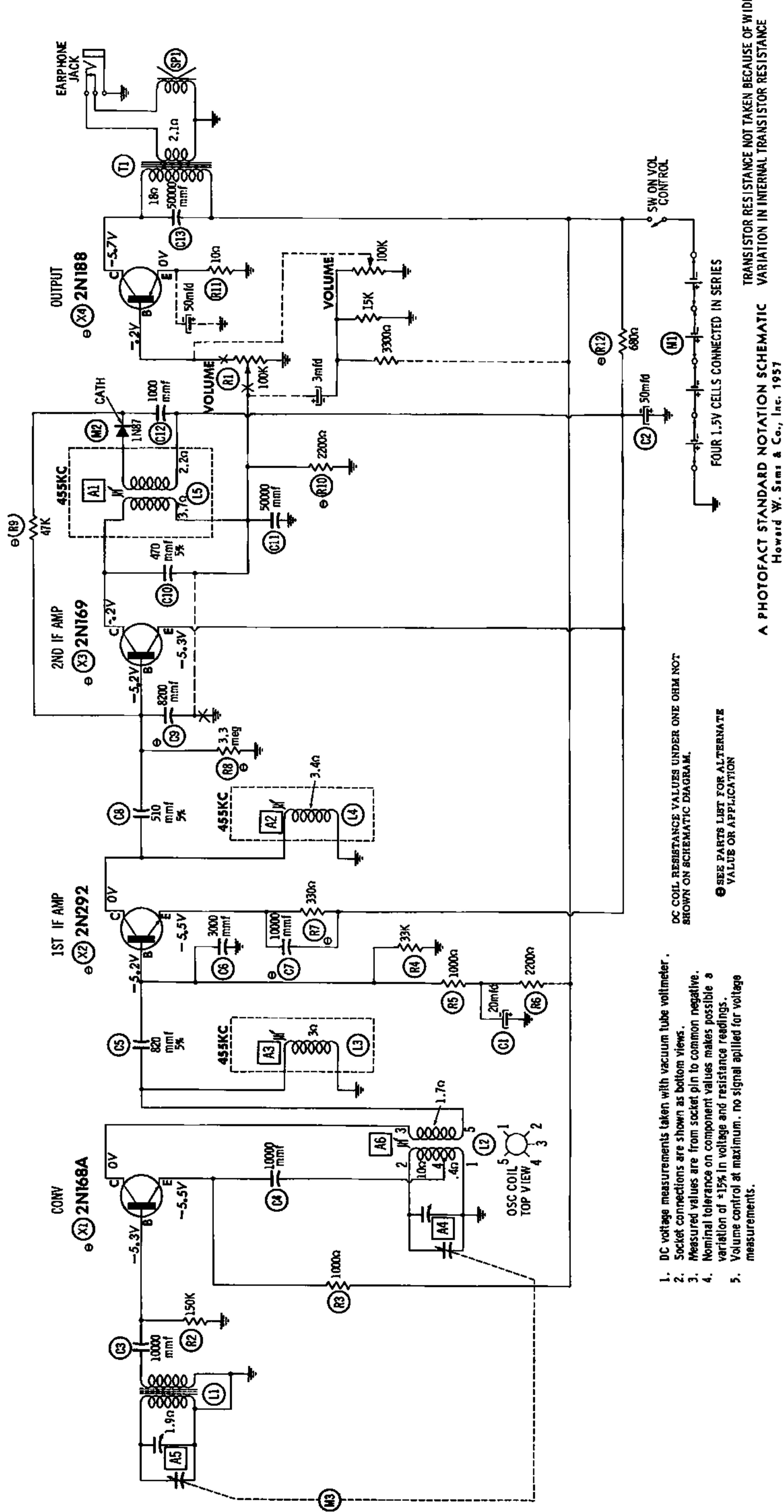
MISCELLANEOUS

ITEM No.	PART NAME	G. E. PART No.	NOTES
M3	Tuning Cap.	RS-1037	2 Gang (Ant. 18-135MMF, Osc. 18-95MMF)

CABINETS & CABINET PARTS

(When Ordering Cabinets & Cabinet Parts, Specify Model, Chassis & Color)

NAME	PART NO.	DESCRIPTION
Knob	RS-1032	Clear Tuning
Knob	RS-1033	Black On-Off-Volume, Model P710A, B, C
Knob	RS-1113	Turquoise On-Off-Volume, Model P711A, B, C
Cabinet	RS-1041	Black, Model P710A, V, C
Cabinet	RS-1042	Turquoise, Model P711A, B, C
Earphone Jack	RS-1195	(3 Terminals)
Earphone Jack	RJS-230	
Chassis Assembly	RS-1195	



1. DC voltage measurements taken with vacuum tube voltmeter.
2. Socket connections are shown as bottom views.
3. Measured values are from socket pin to common negative.
4. Nominal tolerance on component values makes possible a variation of $\pm 15\%$ in voltage and resistance readings.
5. Volume control at maximum. no signal applied for voltage measurements.

DC COIL RESISTANCE VALUES UNDER ONE OHM NOT SHOWN ON SCHEMATIC DIAGRAM.

SEE PARTS LIST FOR ALTERNATE VALUE OR APPLICATION

FOUR 1.5V CELLS CONNECTED IN SERIES

A PHOTOFACT STANDARD NOTATION SCHEMATIC
 Howard W. Sams & Co., Inc. 1957
 TRANSISTOR RESISTANCE NOT TAKEN BECAUSE OF WIDE VARIATION IN INTERNAL TRANSISTOR RESISTANCE