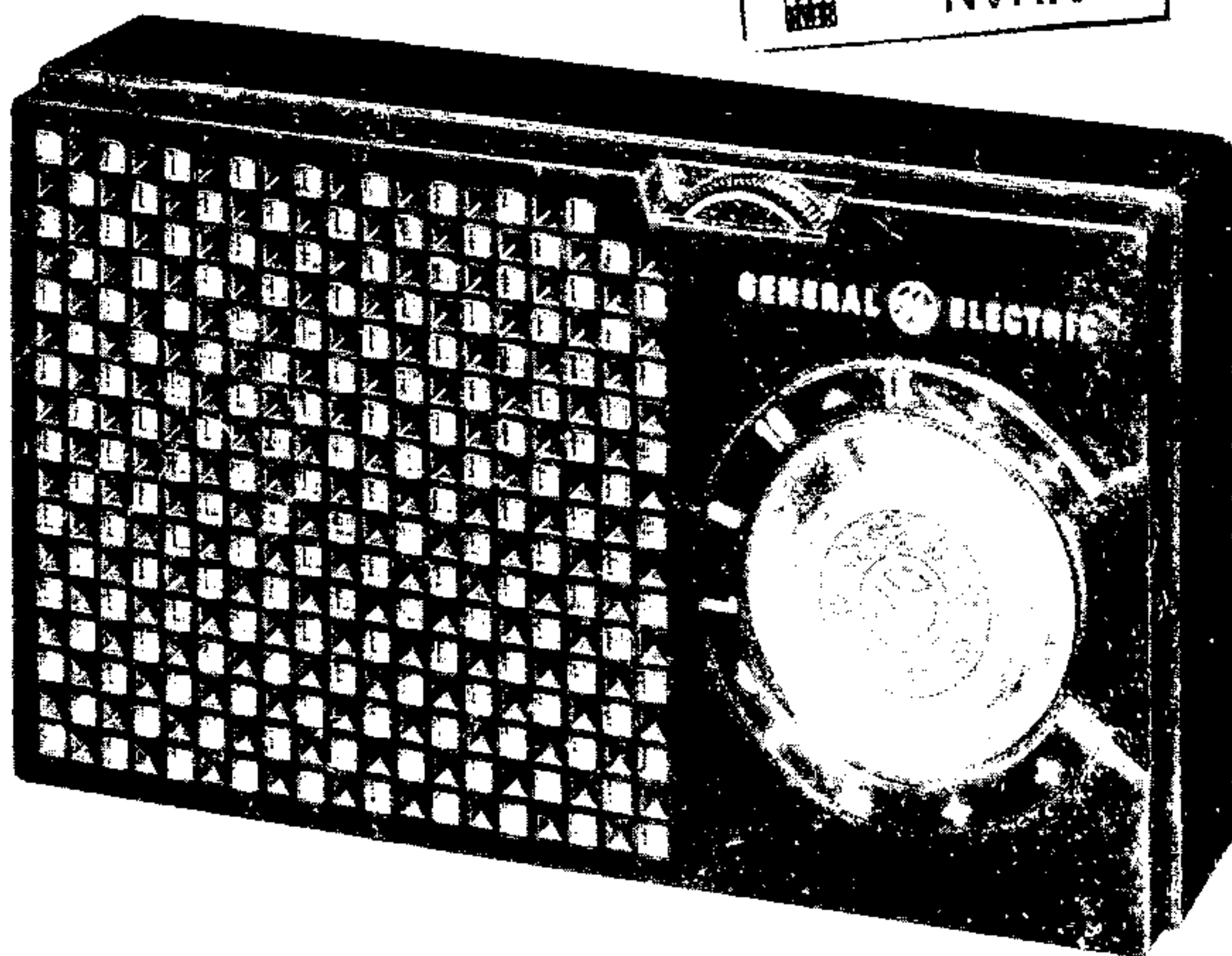
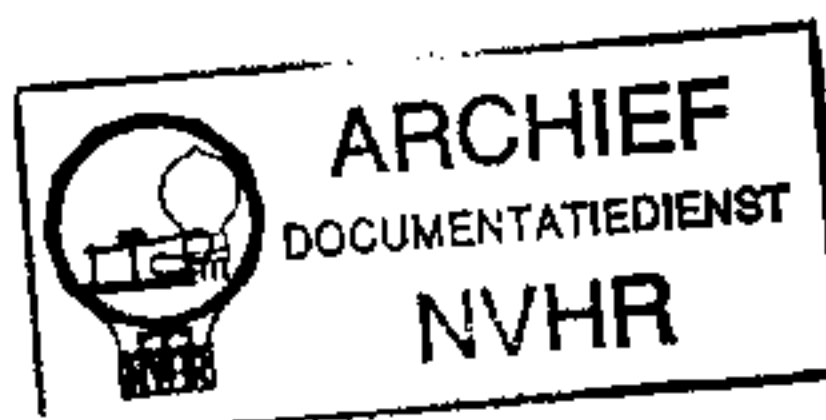




Met dank aan Jef Bos

Ned. Ver. v. Historie v/d Radio



TRADE NAME	General Electric Models 675, 676
MANUFACTURER	General Electric Co., Electronics Dept., Electronics Park, Syracuse, N. Y.
TYPE SET	Battery Operated Portable Transistor AM Superheterodyne Receiver
POWER SUPPLY	4.5 Volts DC & 13.5 Volts DC in Pack Form with Common Positive Terminal
RATING	.36MA (a) -4.5 Volts DC & 5MA (a) -13.5 Volts DC
TUNING RANGE—BROADCAST	540KC-1620KC

ALIGNMENT INSTRUCTIONS

DUMMY ANTENNA	SIGNAL GENERATOR COUPLING	SIGNAL GENERATOR FREQUENCY	RADIO DIAL SETTING	OUTPUT METER	ADJUST	REMARKS
1.	Loop	455KC (400% Mod.)	Tuning gang fully open	Across Voice Coil	A1, A2, A3	Fashion loop of several turns of wire and radiate signal into loop of receiver. Adjust for maximum output.
2.	"	1620KC	"	"	A4	"
3.	"	1500KC	Tune to 1500KC signal	"	A5	Adjust for maximum output while rocking tuning gang.
4.	"	600KC	Tune to 600KC signal	"	A6	"

HOWARD W. SAMS & CO., INC. • Indianapolis 5, Indiana

"The listing of any available replacement part herein does not constitute in any case a recommendation, warranty or guaranty by Howard W. Sams & Co., Inc., as to the quality and suitability of such replacement part. The numbers of these parts have been compiled from information furnished to Howard W. Sams & Co., Inc., by the manufacturers of the particular type of replacement part listed."
"Reproduction or use, without express permission, of editorial or pictorial content, in any manner, is prohibited. No patent liability is assumed with respect to the use of the information contained herein. Copyright 1956 by Howard W. Sams & Co., Inc., Indianapolis 5, Indiana, U. S. of America. Copyright under international Copyright Union. All rights reserved under Inter-American Copyright Union (1910) by Howard W. Sams & Co., Inc." Printed in U. S. of America

G435

PARTS LIST AND DESCRIPTIONS (Continued)

SPEAKER

ITEM No.	RATINGS			REPLACEMENT DATA			NOTES
				G. E. PART No.	QUAM PART No.	RCA TYPE No.	
	SIZE	FIELD	V. C. IMP.				
SP1	2 3/4"	PM	16Ω	ROP-034		222S1	

COILS (RF-IF)

ITEM No.	USE	DC RES.		REPLACEMENT DATA				NOTES
				G. E. PART No.	MEISSNER PART No.	MERIT PART No.	MILLER PART No.	
		PRI.	SEC.					
L1	Loop Stick	1.9Ω	.1Ω	RLL-066				* Tapped @ .6Ω
L2	Osc. Coil	1.7Ω	7.2Ω*	RLC-138				
L3	1st IF Trans.	2.4Ω	2.1Ω	RTL-188				
L4	2nd IF Trans.	2.4Ω	2.1Ω	RTL-189				
L5	3rd IF Trans.	2.4Ω	2.1Ω	RTL-190				

BATTERIES

ITEM No.	VOLTAGE	G. E. PART No.	REPLACEMENT DATA						INSTALLATION NOTES
			EVEREADY			BURGESS			
			"A"	"B"	"A-B"	"A"	"B"	"A-B"	
M1	-4.5V & -13.5V "A"		239				XX9		

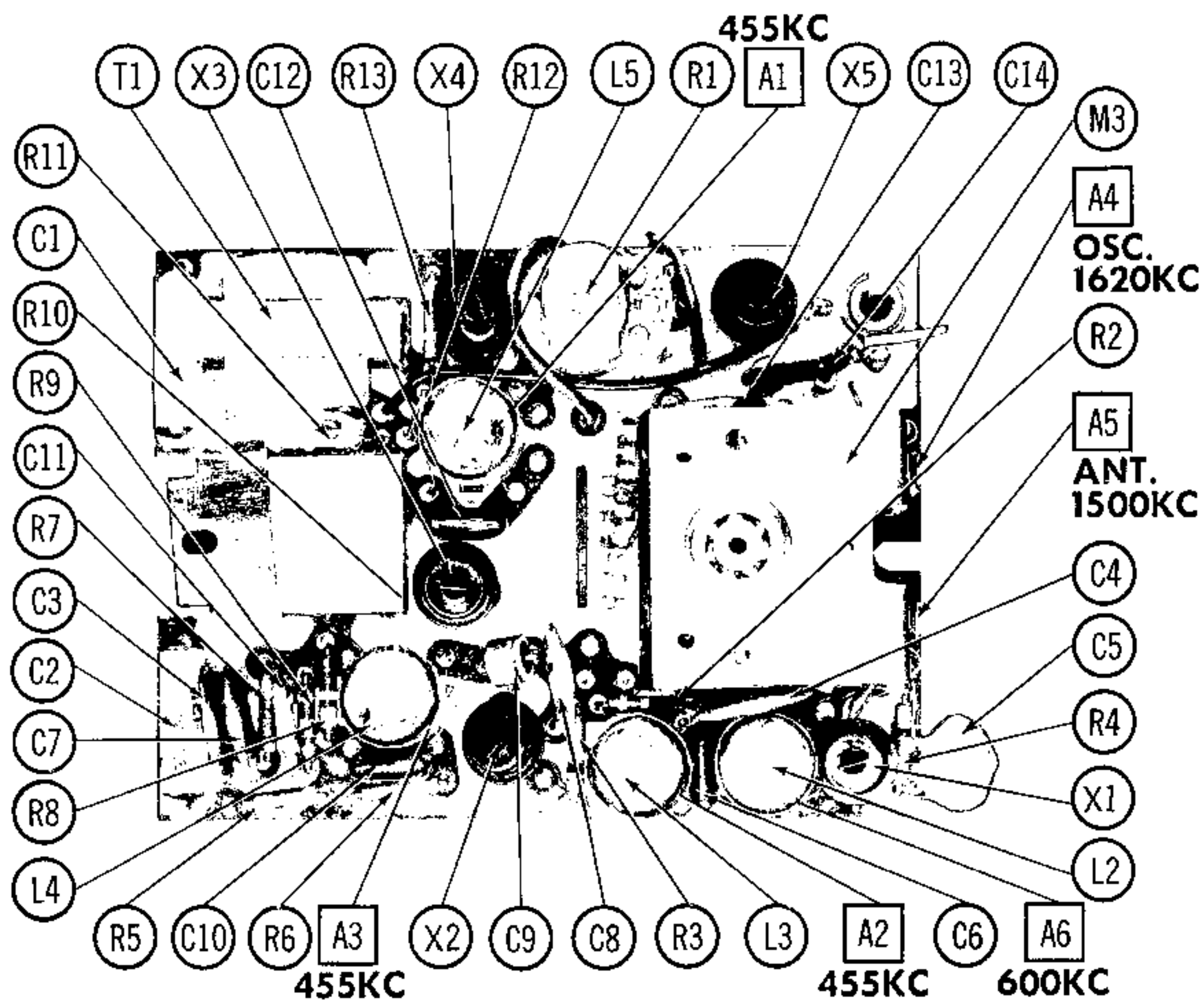
CRYSTAL DIODES

ITEM No.	ORIG. TYPE	REPLACEMENT DATA		NOTES
		G. E. PART No.	SYLVANIA PART No.	
M2	1N64 *	RED-001	1N60	Audio Det. (Pigtail) Used in late production versions only.

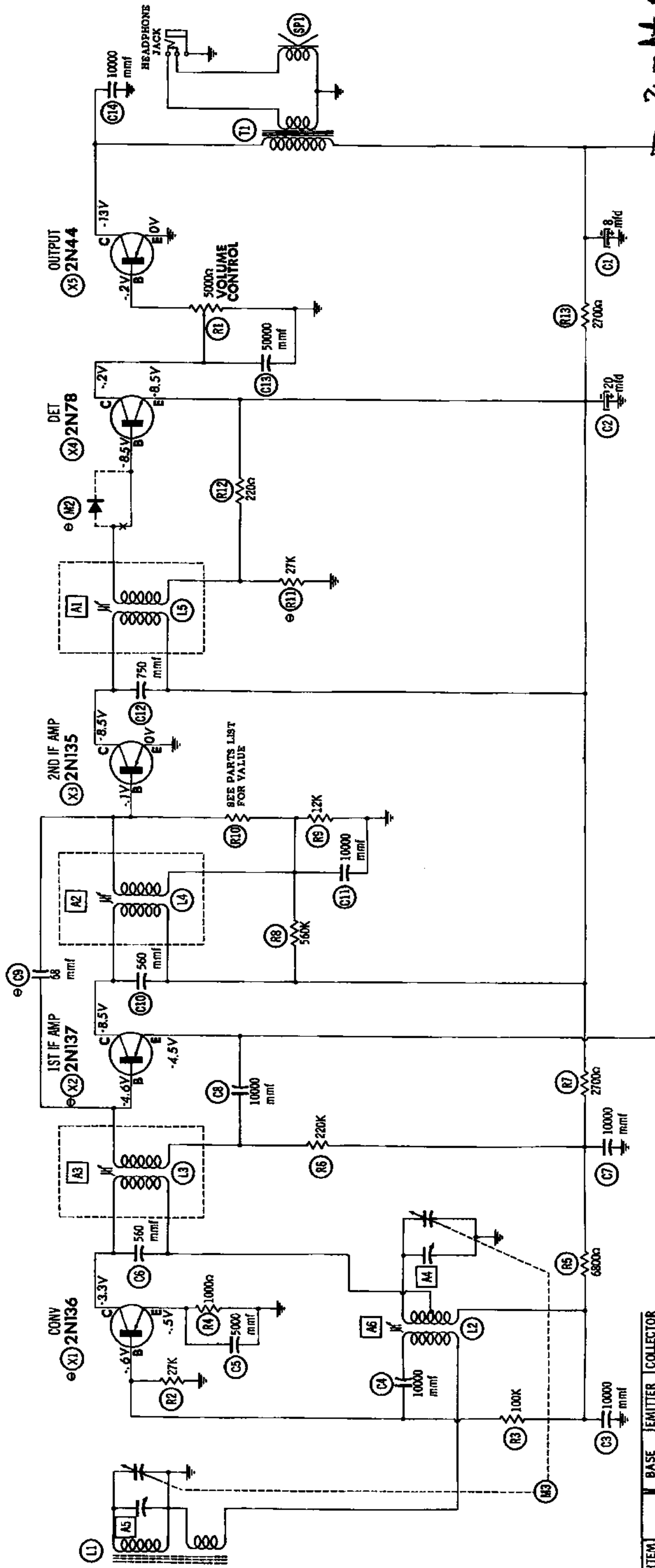
* Some versions may use crystal diode type 1N87G in this application.

MISCELLANEOUS

ITEM No.	PART NAME	G. E. PART No.	NOTES
M3	Tuning Cap. Cabinet Cabinet Knob Knob Knob	RCT-096 RAU-458 RAU-459 RDK-532 RDK-533 RDK-534	2 Gang Model 675 Model 676 Tuning On-Off-Volume On-Off-Volume



CHASSIS TOP VIEW



13.0V
 Zumbt = 13.0V
 WIT = 4.5V
 bmn +

ITEM	BASE	EMITTER	COLLECTOR
X1	1800Ω	900Ω	17000Ω
X2	20K	200K	12000Ω
	7000Ω	8000Ω	12500Ω
X3	800Ω	0Ω	12000Ω
	11K		12500Ω
X4	12700Ω	12300Ω	3800Ω
	500Ω		500Ω
X5	3800Ω	0Ω	110Ω

DUAL READINGS INDICATE REVERSAL OF METER LEADS.
 MEASURED FROM NEGATIVE SIDE OF C1.

IF = 455KC

SEE PARTS LIST FOR ALTERNATE VALUE OR APPLICATION

A PHOTOFAC STANDARD NOTATION SCHEMATIC
 © Howard W. Sams & Co., Inc. 1956

1. DC voltage measurements taken with vacuum tube voltmeter.
2. Socket connections are shown as bottom views.
3. Measured values are from socket pin to common negative.
4. Nominal tolerance on component values makes possible a variation of ± 15% in voltage and resistance readings.
5. Volume control at maximum, no signal applied for voltage measurements.

