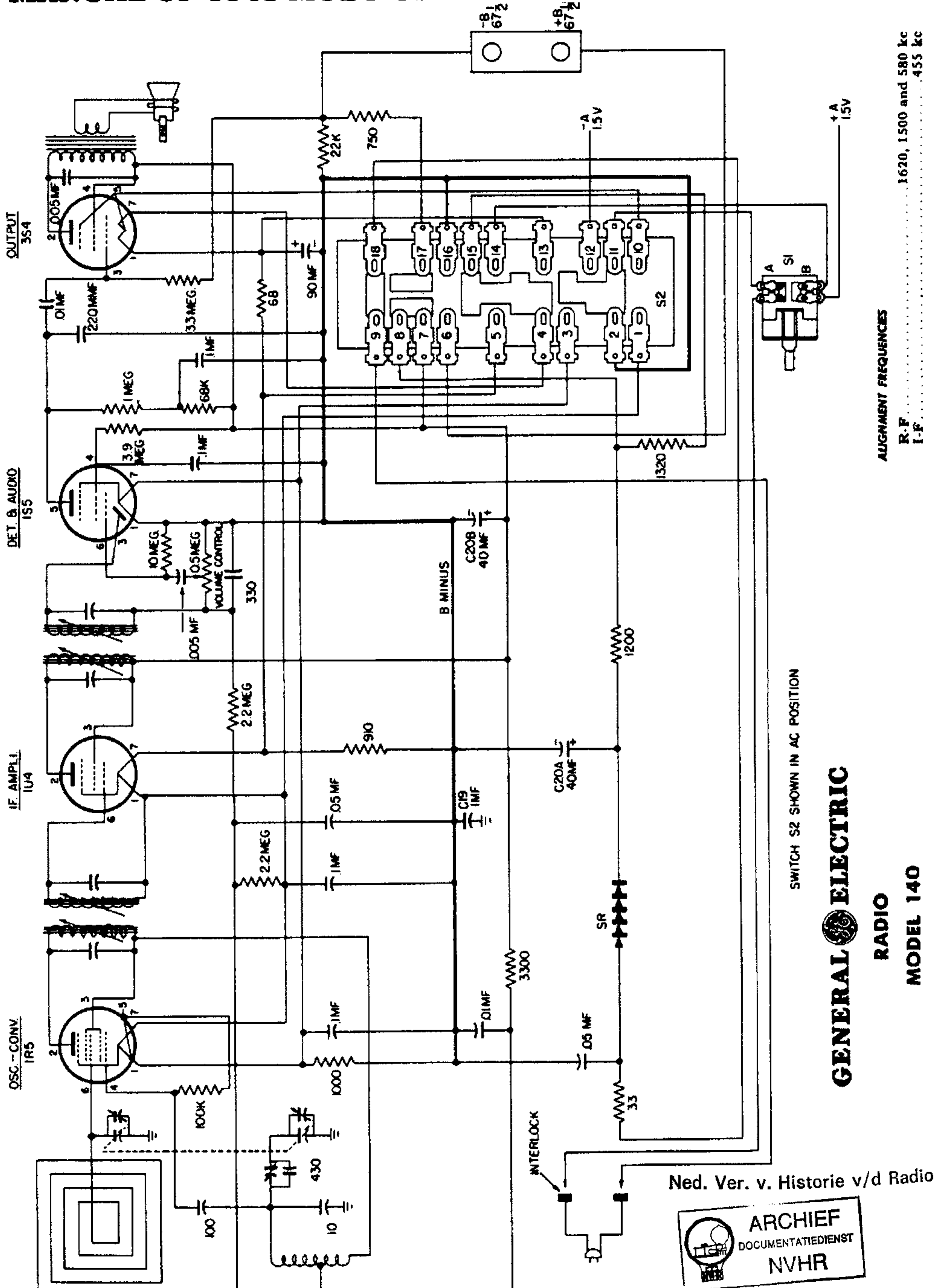


MANUAL OF 1948 MOST-OFTEN-NEEDED RADIO DIAGRAMS



ALIGNMENT FREQUENCIES
 R.F. 1620, 1500 and 580 kc
 I.F. 455 kc

SWITCH S2 SHOWN IN AC POSITION

GENERAL ELECTRIC
RADIO
MODEL 140

Ned. Ver. v. Historie v/d Radio

