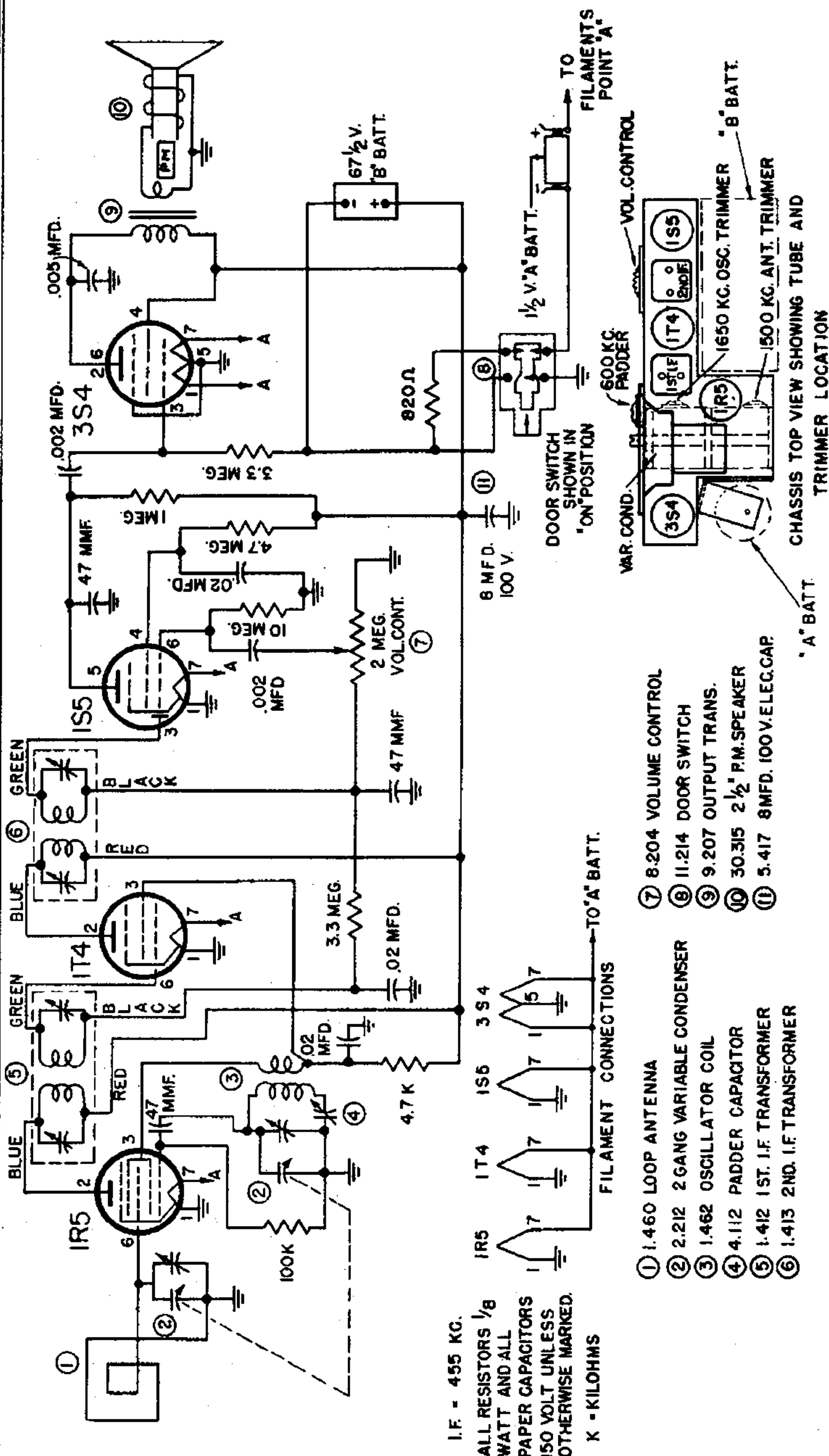
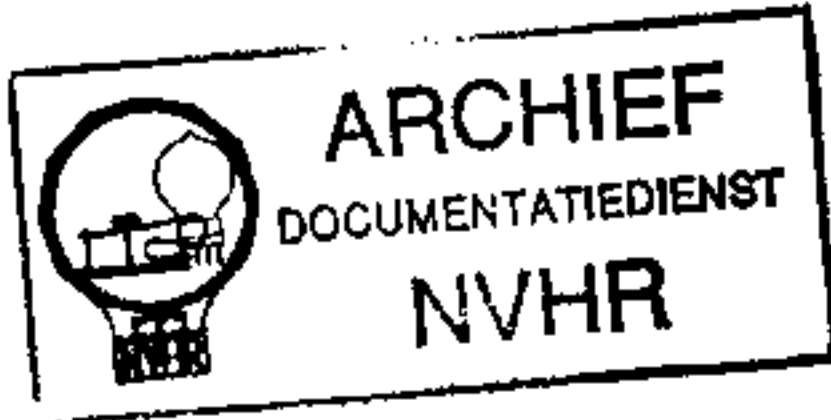


Ned. Ver. v. Historie v/d Radio



I.F. - 455 KC.
 ALL RESISTORS 1/8 WATT AND ALL PAPER CAPACITORS 150 VOLT UNLESS OTHERWISE MARKED.
 K - KILOHMS

- ① 1.460 LOOP ANTENNA
- ② 2.212 2 GANG VARIABLE CONDENSER
- ③ 1.462 OSCILLATOR COIL
- ④ 4.112 PADDER CAPACITOR
- ⑤ 1.412 1ST. I.F. TRANSFORMER
- ⑥ 1.413 2ND. I.F. TRANSFORMER
- ⑦ 8.204 VOLUME CONTROL
- ⑧ 11.214 DOOR SWITCH
- ⑨ 9.207 OUTPUT TRANS.
- ⑩ 30.315 2 1/2" P.M. SPEAKER
- ⑪ 5.417 8MFD. 100V. ELEC. CAP.

ALIGNMENT: (Receiver removed from cabinet.) Should it become necessary at any time to check the alignment of this receiver, proceed as follows:

- (1) Set the signal generator to 455 KC and connect to the stator lug (rear section) of variable capacitor. Extend the loop leads and solder to the original points. Connect the signal generator ground lead to the chassis. Connect a suitable output meter across the speaker voice coil connections. Turn the volume control to the maximum position. Turn the variable capacitor to the extreme clockwise position (minimum capacity).
- (2) Adjust the trimmers located at the top of the first and second I.F. Transformers for maximum output, as indicated on the output meter.
- (3) Loosely couple the signal generator lead to the loop and set to 1650 KC.

(4) With the variable capacitor set at minimum capacity, tune in the 1650 KC signal by means of the oscillator trimmer on the variable capacitor (front section).

- (5) Set the signal generator to 1500 KC and turn the tuning control until this frequency is heard. Adjust the antenna trimmer on the variable capacitor (rear section) for maximum output.
- (6) Set the signal generator to 600 KC and turn the tuning control until this frequency is heard. Adjust the oscillator padder located adjacent to the front of the variable capacitor for maximum response while "rocking" the variable capacitor. Recheck the 1500 KC high frequency adjustment until no further improvement can be made.
- (7) Install the chassis into the cabinet and re-adjust the antenna trimmer at 1500 KC.

BATTERY VOLTAGE: This personal receiver is designed for operation from a self contained 1 1/2 volt "A" battery and a 67 1/2 volt "B" battery.

BATTERY REQUIREMENTS: The following batteries are required:

QUANTITY	TYPE	MANUFACTURER
1	1 1/2 volt "A"	Eveready size "D", Burgess No. 2, Ray-O-Vac size "D" or equivalent.
1	67 1/2 volt "B"	Eveready #467, Burgess Type XXD, Ray-O-Vac Type 4367 or equivalent.

TUNING RANGE: Broadcast 540 to 1650 Kilocycles (180 to 555 meters).
DIAL SCALE: The dial scale is calibrated in kilocycles. Example: Read "60" as 600 Kc.

TUBES: The tubes used and their functions are as follows:

IR5	Converter
IT4	I.F. Amplifier
3S4	Power Amplifier
IS5	Detector, AVC and Audio Amp.

For the placement of these tubes, see the diagram showing tube layout.

GAROD RADIO CORP.

MODELS 4A-1, 4A-2

The following procedure should be followed for the installation of the "A" and "B" batteries (see Fig. 2).

- (a) Remove the back cover by depressing the back cover release button adjacent to the handle while sliding the back upward and out.

CAUTION: In removing the back cover, raise the lock end of the back cover only enough to clear the case edge before sliding the cover toward the strap handle to release the opposite end from the two protruding bottom case tabs that hold it down. Failure to observe this precaution may result in breaking out the two bottom holes from the cover.

- (b) Insert the 1½ volt "A" battery into the spring holder with the protruding center contact at the top of the "A" battery always facing the position shown on the diagram rear of back cover or Fig. 2.
Do not insert the "A" battery in the opposite position in the spring holder.

- (c) Connect the "B" battery contact strip fitted with snap fasteners to the corresponding contacts on the "B" battery.

- (d) Insert the "B" battery into the compartment provided as shown on the diagram rear of back cover or Fig. 2.

- (e) Replace back cover by inserting the two holes at the bottom edge of the back cover into the two protruding case tabs at the rear edge of the case and slide forward while depressing the back cover release button. The receiver is now ready for operation.

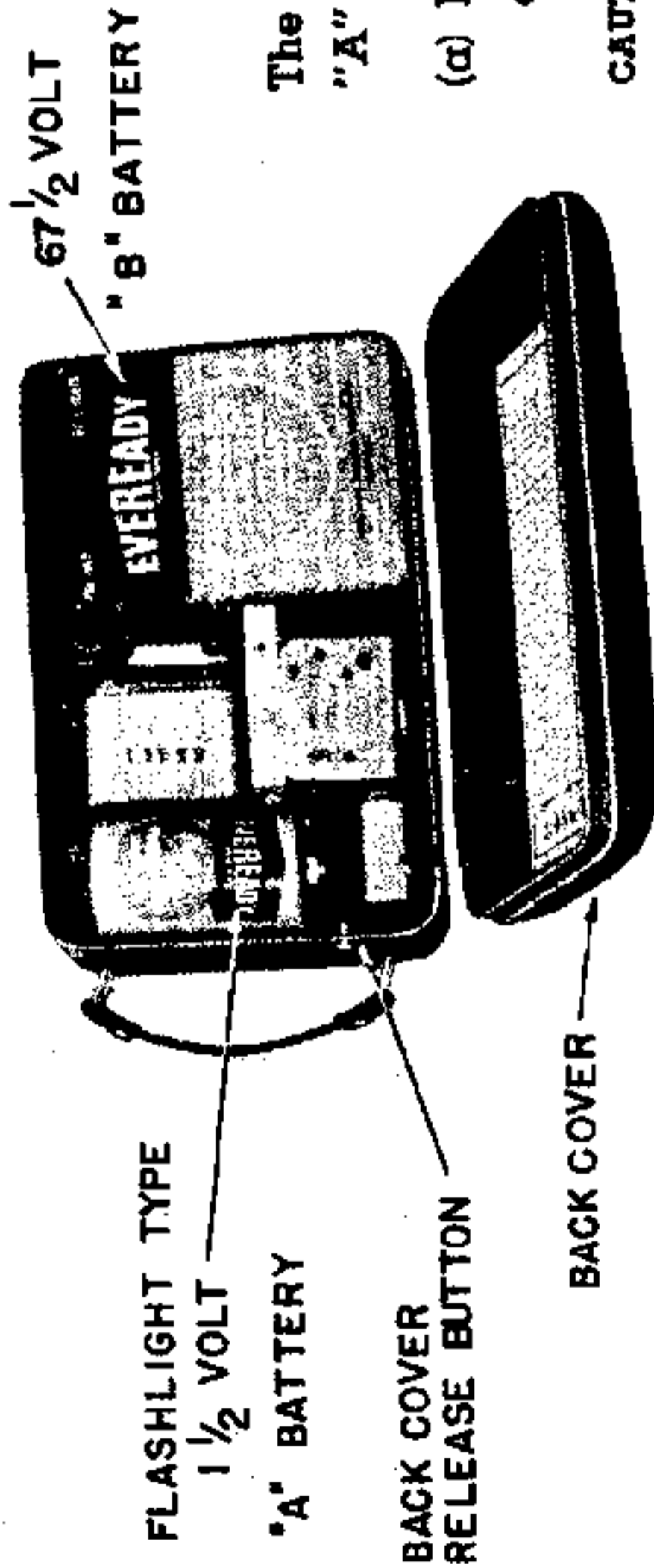
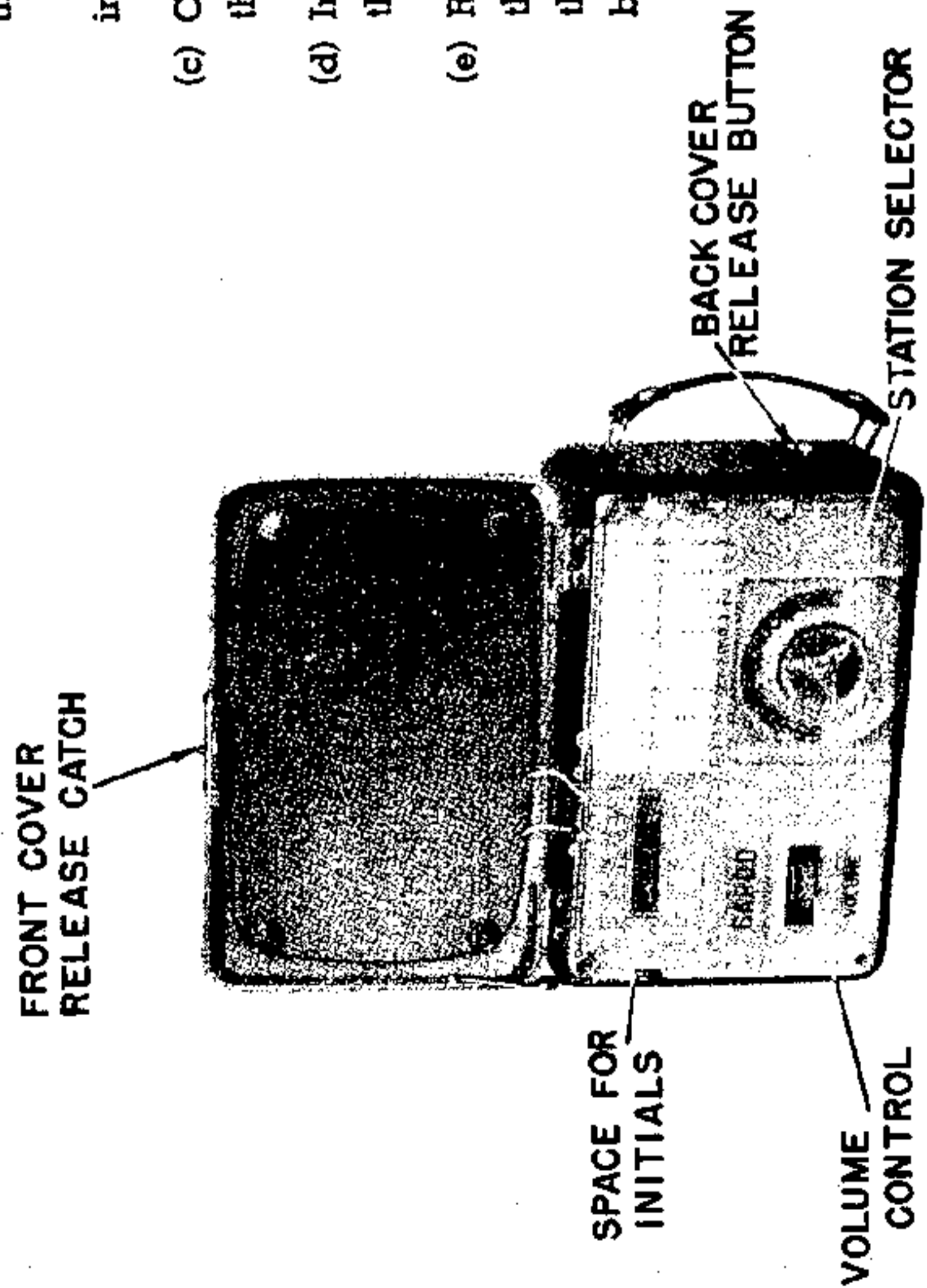


FIG 2 REAR VIEW - BACK COVER REMOVED SHOWING LOCATION OF BATTERIES



RECEIVER IN OPERATING POSITION