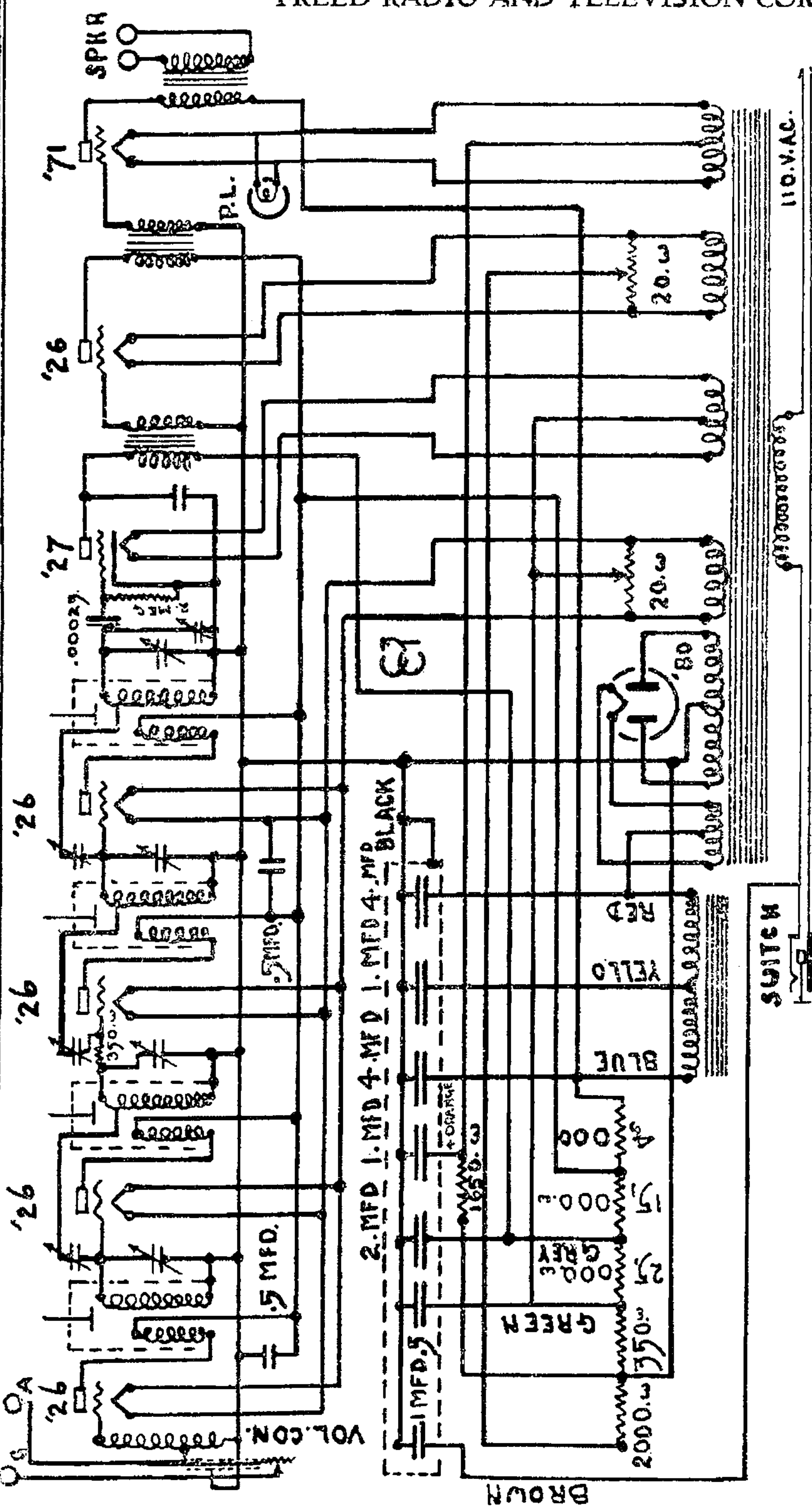
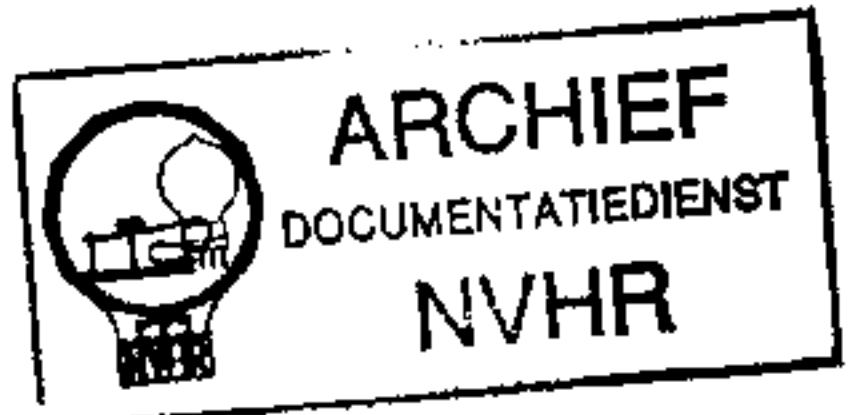


MODEL NR-80 AC

FREED RADIO AND TELEVISION CORP.

Ned. Ver. v. Historie v/d Rad



FREED-EISEMANN—Model NR-80
Line Voltage 120

| TUBE NO. IN CHASSIS | TYPE OF TUBE | POSITION BY I.S.T. REF. DET. STD. | TUNE OUT | | | | | | MEASURES PLUG IN SOCKET BY SET | | | | |
|---------------------|--------------|-----------------------------------|----------|---------|---------|---------|-----------------|----------------------|--------------------------------|-------------------------|-------------------------|------|-----|
| | | | A VOLTS | B VOLTS | A VOLTS | B VOLTS | 5 TAPDOWN VOLTS | NORMAL PLATE VOLTAGE | PLATE MAX. GRID VOLTAGE | PLATE MAX. GRID VOLTAGE | PLATE MAX. GRID VOLTAGE | | |
| 1 | 6X6 | 1st. H.F. | 1.45 | 90 | 1.45 | 90 | 6.0 | 3.5 | 7.7 | 4.2 | 3.5 | 7.7 | 4.2 |
| 2 | 226 | 2nd. H.F. | 1.45 | 90 | 1.45 | 90 | 6.0 | 3.5 | 7.7 | 4.2 | 3.5 | 7.7 | 4.2 |
| 3 | 226 | 3rd. H.F. | 1.45 | 90 | 1.45 | 90 | 6.0 | 3.5 | 7.7 | 4.2 | 3.5 | 7.7 | 4.2 |
| 4 | 226 | 4th. H.F. | 1.45 | 90 | 1.45 | 90 | 6.0 | 3.5 | 7.7 | 4.2 | 3.5 | 7.7 | 4.2 |
| 5 | 227 | Detector | 2.25 | 60 | 2.10 | 45 | 0.0 | 2.0 | 2.0 | 0.0 | 3.2 | 7.2 | 4.0 |
| 6 | 226 | 1st. A.F. | 1.5 | 108 | 1.45 | 90 | 5.5 | 3.2 | 7.2 | 4.0 | 17.0 | 18.5 | 1.0 |
| 7 | 171 | 2nd. A.F. | 5.2 | 192 | 5.09 | 150 | 30.0 | — | — | — | — | — | — |
| 8 | 280 | Rectifier | 5.2 | — | 5.00 | — | — | — | — | — | — | — | — |

NR-80 (A.C.)

