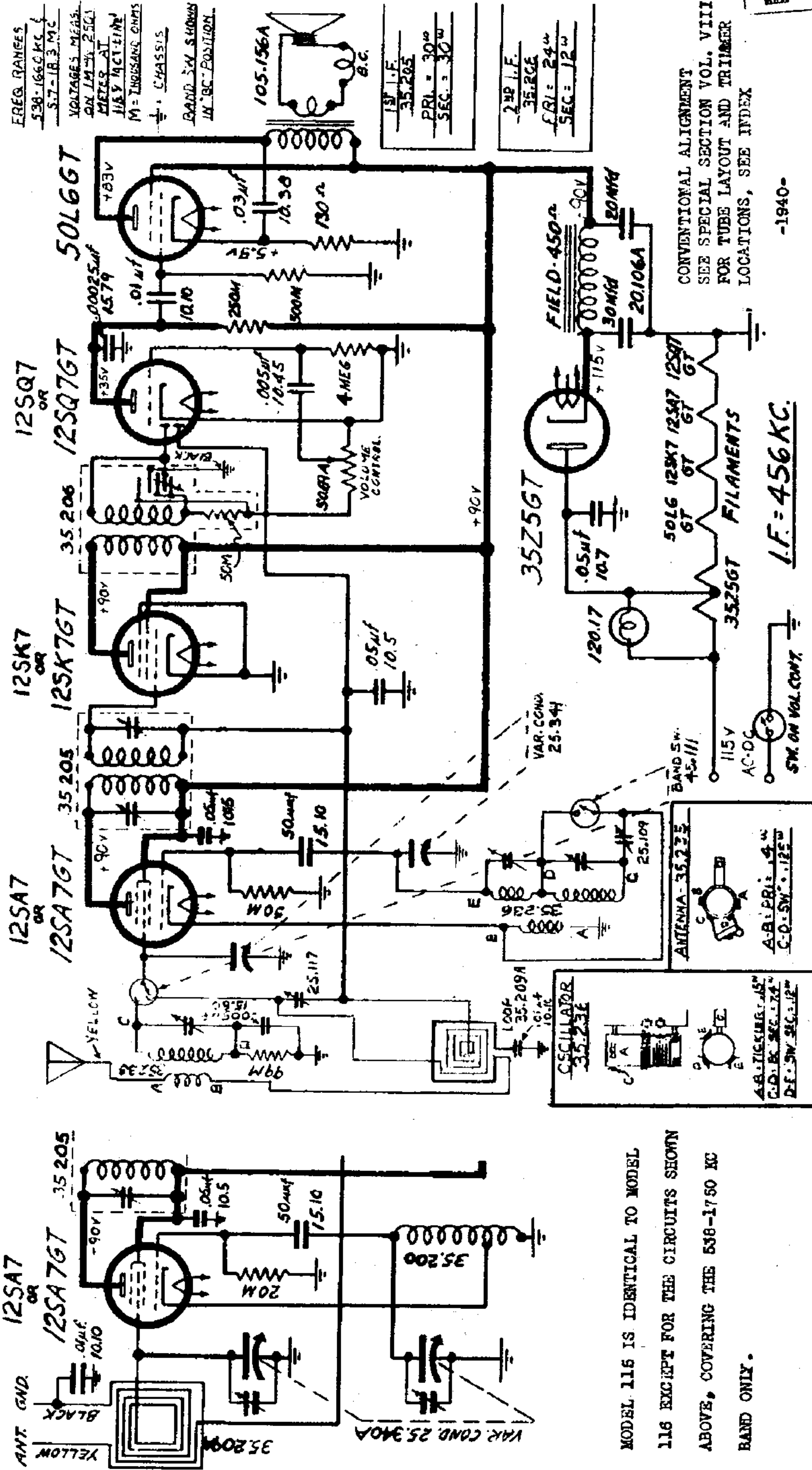
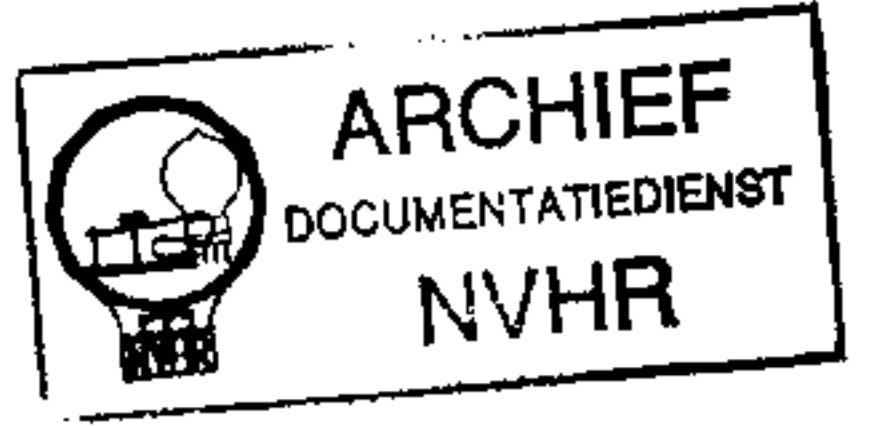


MODEL 115
MODEL 116

FADA RADIO & ELECTRIC CO

Ned. Ver. v. Historie v/d Radio



REQ. RANGES
538-1660 KC.
5.7-18.3 MC.

VOLTAGE MEAS.
ON L.M.A. 250V.
METER AT
M= THOUSAND OHMS
+ CHASSIS

BAND SW. SHOWS
IN 'BC-POSITION.

1ST I.F.
35.285
PRI = 30^W
SEC = 30^W

2ND I.F.
35.735
PRI = 24^W
SEC = 12^W

CONVENTIONAL ALIGNMENT
SEE SPECIAL SECTION VOL. VIII
FOR TUBE LAYOUT AND TRIMMER
LOCATIONS, SEE INDEX

-1940-

ANT. GND.
BLACK
YELLOW
12SA7
OR
12SA7GT

MODEL 115 IS IDENTICAL TO MODEL
116 EXCEPT FOR THE CIRCUITS SHOWN
ABOVE, COVERING THE 538-1750 KC
BAND ONLY.

CAPACITORS
35.235
ANTENNA-35.235
A-B: PRI: 4^W
C-D: SW: 125^W
D-F: SW: SEC: 12

FADA RADIO & ELECTRIC CO

MODEL 148	MODEL P23
MODEL 153	MODEL 115
MODEL 154	MODEL 116
MODEL 913	MODEL 119

