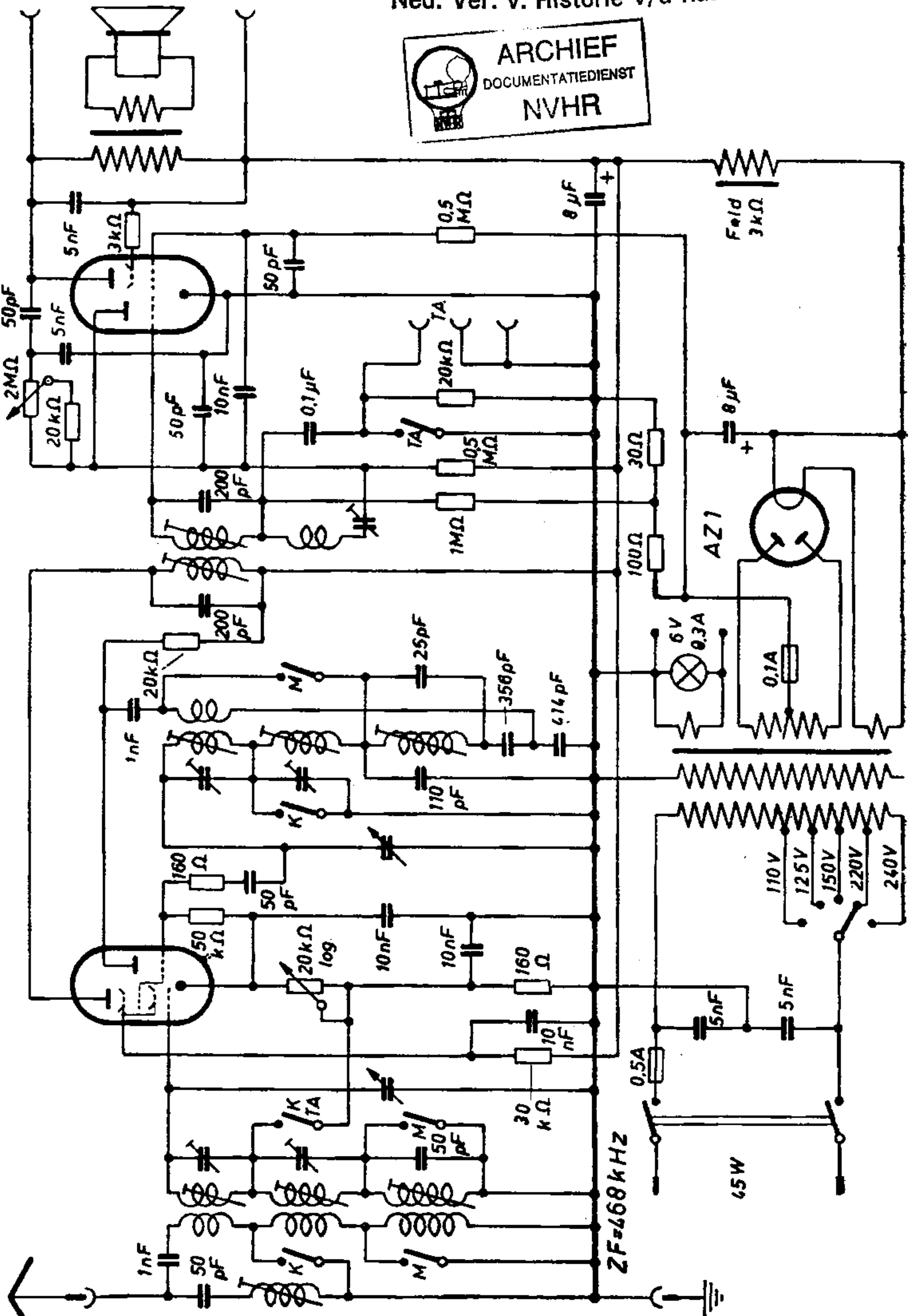


ECL11

ECH11



Emud Superette W

ZF=468 kHz

6.5W

AZ1

Field 3kΩ

0.5A

6V 0.3A

0.1A

110V

125V

150V

220V

240V

5nF

5nF

10nF

160Ω

10nF

10nF

50PF

160Ω

50kΩ

1nF

20kΩ log

50PF

160Ω

50PF

30kΩ

10nF

1nF

6V 0.3A

0.1A

110V

125V

150V

220V

240V

5nF

5nF

10nF

160Ω

10nF

10nF

50PF

160Ω

50kΩ

1nF

100Ω

30Ω

1MΩ

0.5MΩ

20kΩ

0.1μF

50pF

5nF

20kΩ

5nF

50pF

20kΩ

5nF

50pF

5nF

5nF

5nF

5nF

0.5MΩ

0.5MΩ

0.5MΩ

0.5MΩ

0.5MΩ

0.5MΩ

0.5MΩ

0.5MΩ

0.5MΩ

0.5MΩ

0.5MΩ

0.5MΩ

0.5MΩ

0.5MΩ

0.5MΩ

0.5MΩ

0.5MΩ

0.5MΩ

0.5MΩ

0.5MΩ

0.5MΩ

0.5MΩ

0.5MΩ

0.5MΩ

0.5MΩ

0.5MΩ

0.5MΩ

0.5MΩ

0.5MΩ

0.5MΩ

0.5MΩ

0.5MΩ

0.5MΩ

0.5MΩ

0.5MΩ

0.5MΩ

0.5MΩ

0.5MΩ

0.5MΩ

0.5MΩ

0.5MΩ

0.5MΩ

0.5MΩ

0.5MΩ

0.5MΩ

0.5MΩ

0.5MΩ

0.5MΩ

0.5MΩ

0.5MΩ

0.5MΩ

0.5MΩ

0.5MΩ

0.5MΩ

0.5MΩ

0.5MΩ

0.5MΩ

0.5MΩ

0.5MΩ

0.5MΩ

0.5MΩ

0.5MΩ

0.5MΩ

0.5MΩ

0.5MΩ

0.5MΩ

0.5MΩ

0.5MΩ

0.5MΩ

0.5MΩ

0.5MΩ

0.5MΩ

0.5MΩ

0.5MΩ

0.5MΩ

0.5MΩ

0.5MΩ

0.5MΩ

0.5MΩ

0.5MΩ

0.5MΩ

0.5MΩ

0.5MΩ

0.5MΩ

0.5MΩ

0.5MΩ

0.5MΩ

0.5MΩ

0.5MΩ

0.5MΩ

0.5MΩ

0.5MΩ

0.5MΩ

0.5MΩ

0.5MΩ

0.5MΩ

0.5MΩ

0.5MΩ

0.5MΩ