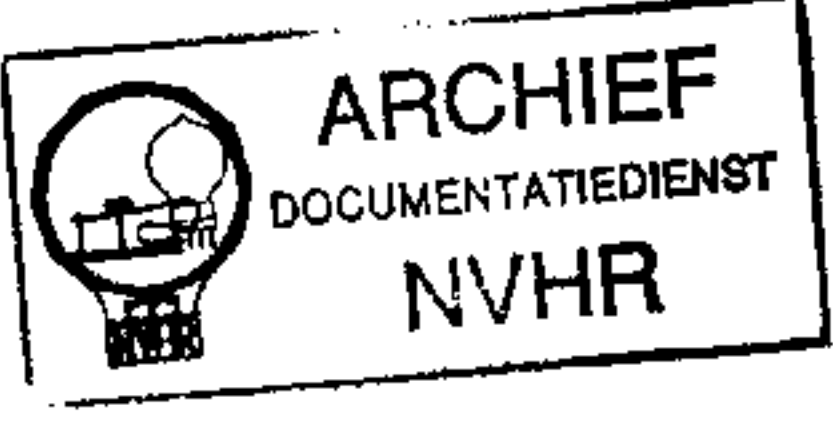


# Emud Rekord SUW



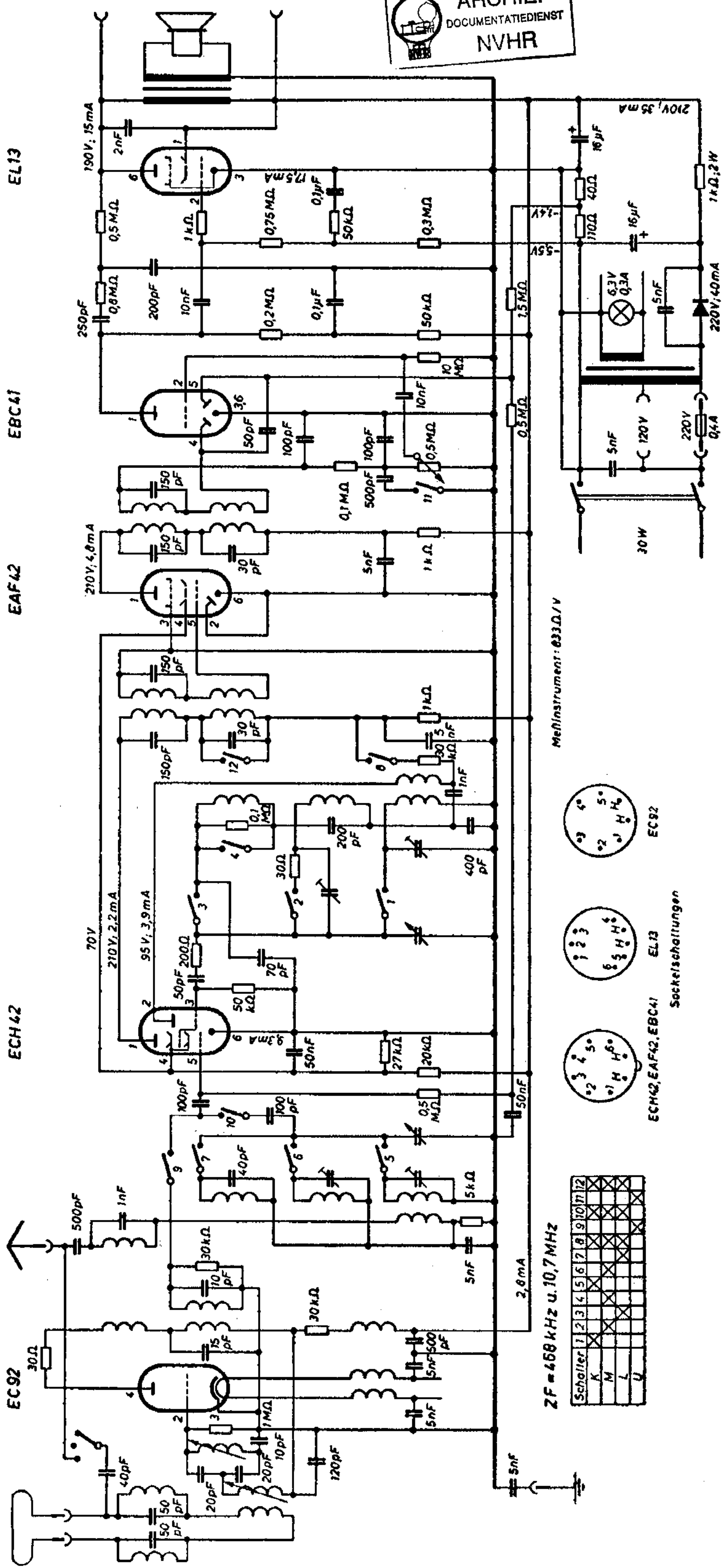
EL13

EBC41

EAF42

ECH42

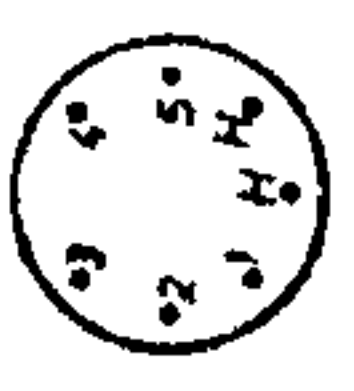
EC92



Mefinstrument: 033Ω/V

ZF = 468 kHz u. 10,7 MHz

Schaller	1	2	3	4	5	6	7	8	9	10	11	12
K	X	X	X	X	X	X	X	X	X	X	X	X
M	X	X	X	X	X	X	X	X	X	X	X	X
L	X	X	X	X	X	X	X	X	X	X	X	X
U	X	X	X	X	X	X	X	X	X	X	X	X



EC92

EL13

EBC41

Socketanschlüsse

ECM42, EAF42, EBC41

30W

220V, 40mA

1kΩ, 2W

210V, 35mA