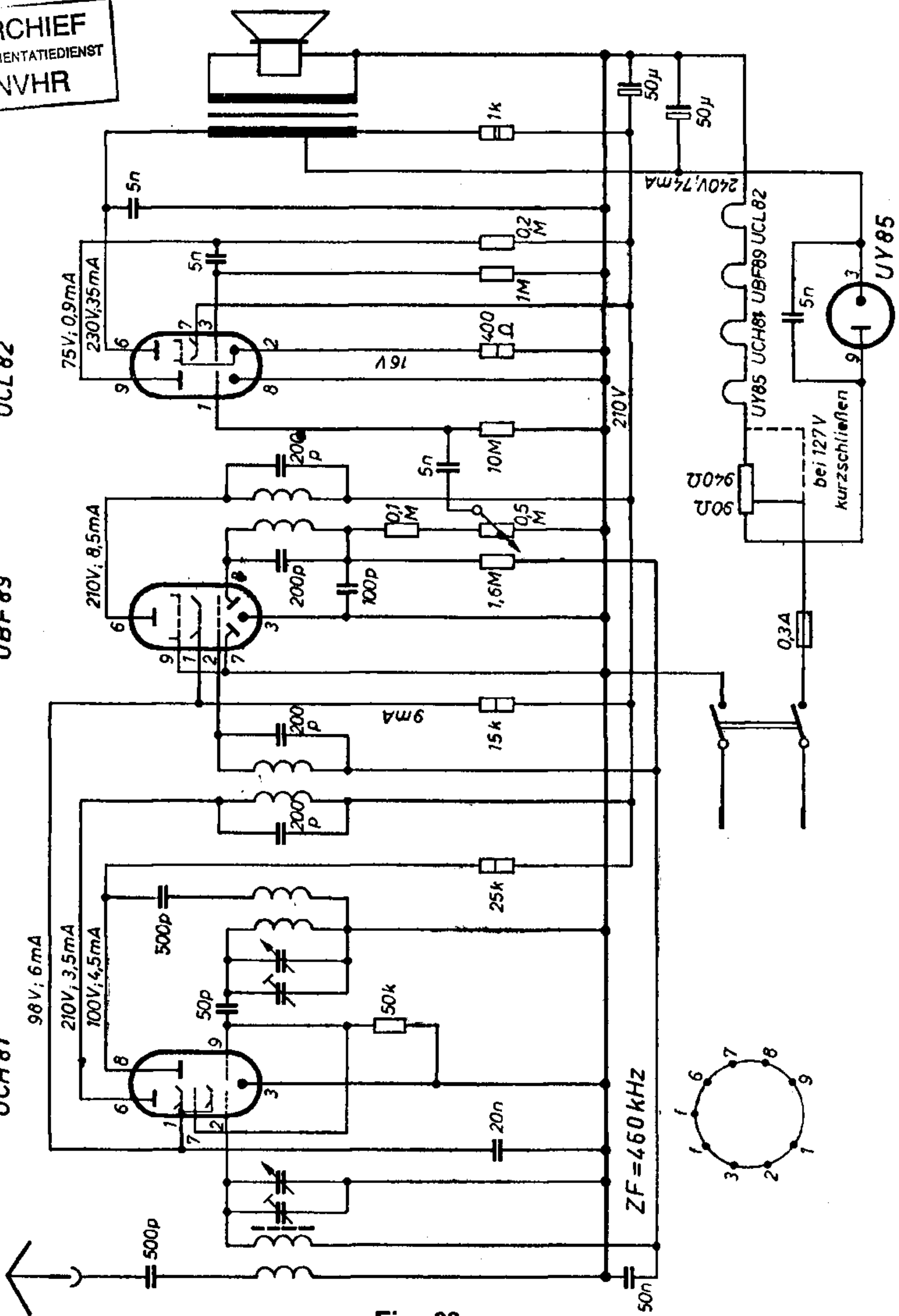


ARCHIEF
DOCUMENTATIEDIENST
NVHR

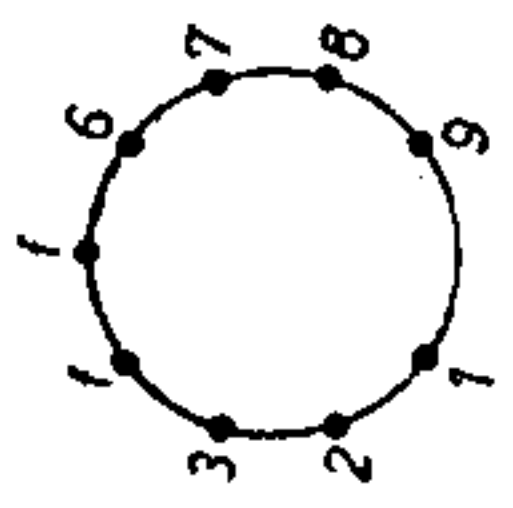
UCL 82

UBF 89

UCH 81



Emud Fips 89



90Ω
9kΩ
bei 127V
kurzschließen

0,3A

ZF = 460 kHz

210V

240V, 74mA

75V; 0,9mA
230V, 35mA

210V; 8,5mA

98V; 6mA
210V; 3,5mA
100V; 4,5mA

9mA

16V

UY 85 UCH 81 UBF 89 UCL 82

UY 85

1k

0,2 M

1M

400 Ω

10M

0,1 M

1,5M

15k

25k

50k

20n

50p

50n

50μ

50μ

5n

5n

5n

5n

5n

5n

5n

5n

500p

50p

50p

50p

50p

