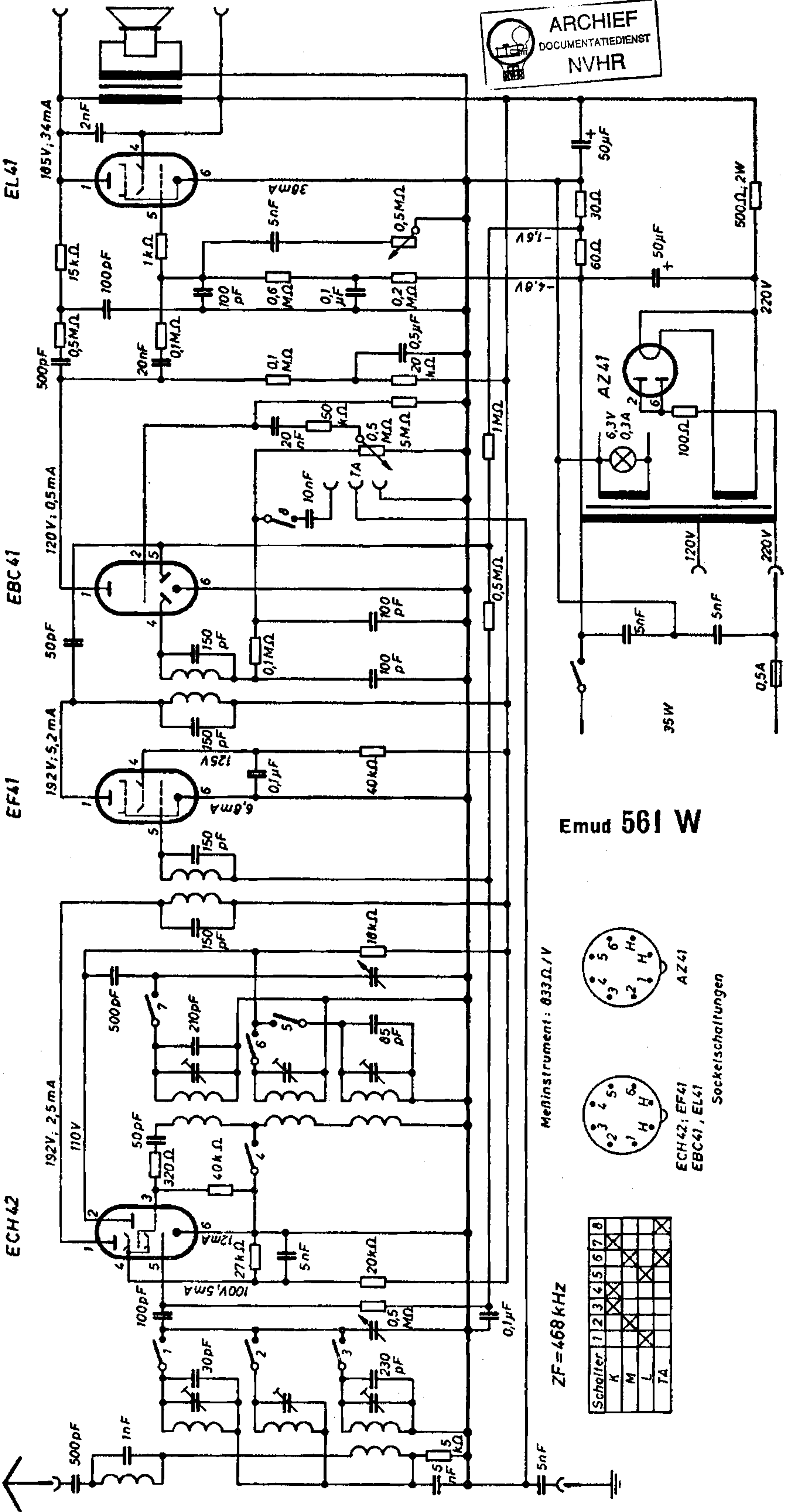


EL41

EBC41

EF41

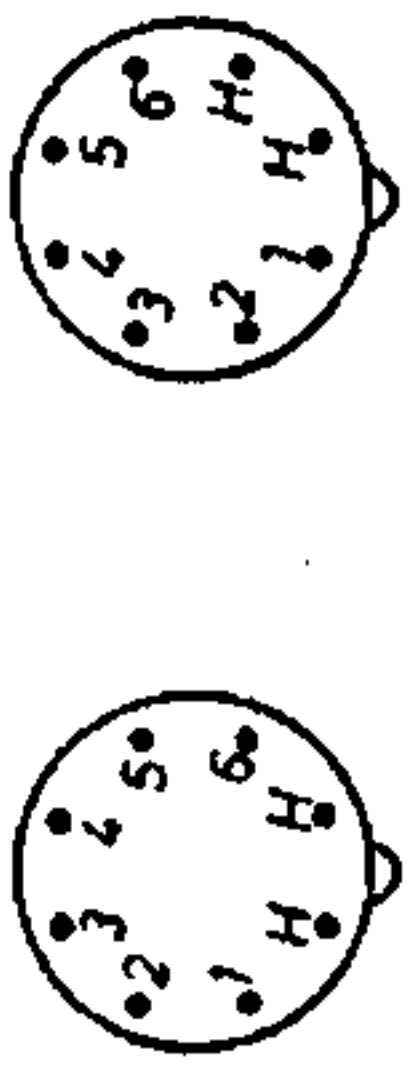
ECH42



Emud 561 W

Meßinstrument: 033Ω/V

ZF = 468 kHz



Socket connections:  
 AZ41  
 ECH42, EF41  
 EBC41, EL41

Schalter	1	2	3	4	5	6	7	8
K			X	X	X	X	X	X
M				X	X	X	X	X
L					X	X	X	X
TA						X	X	X