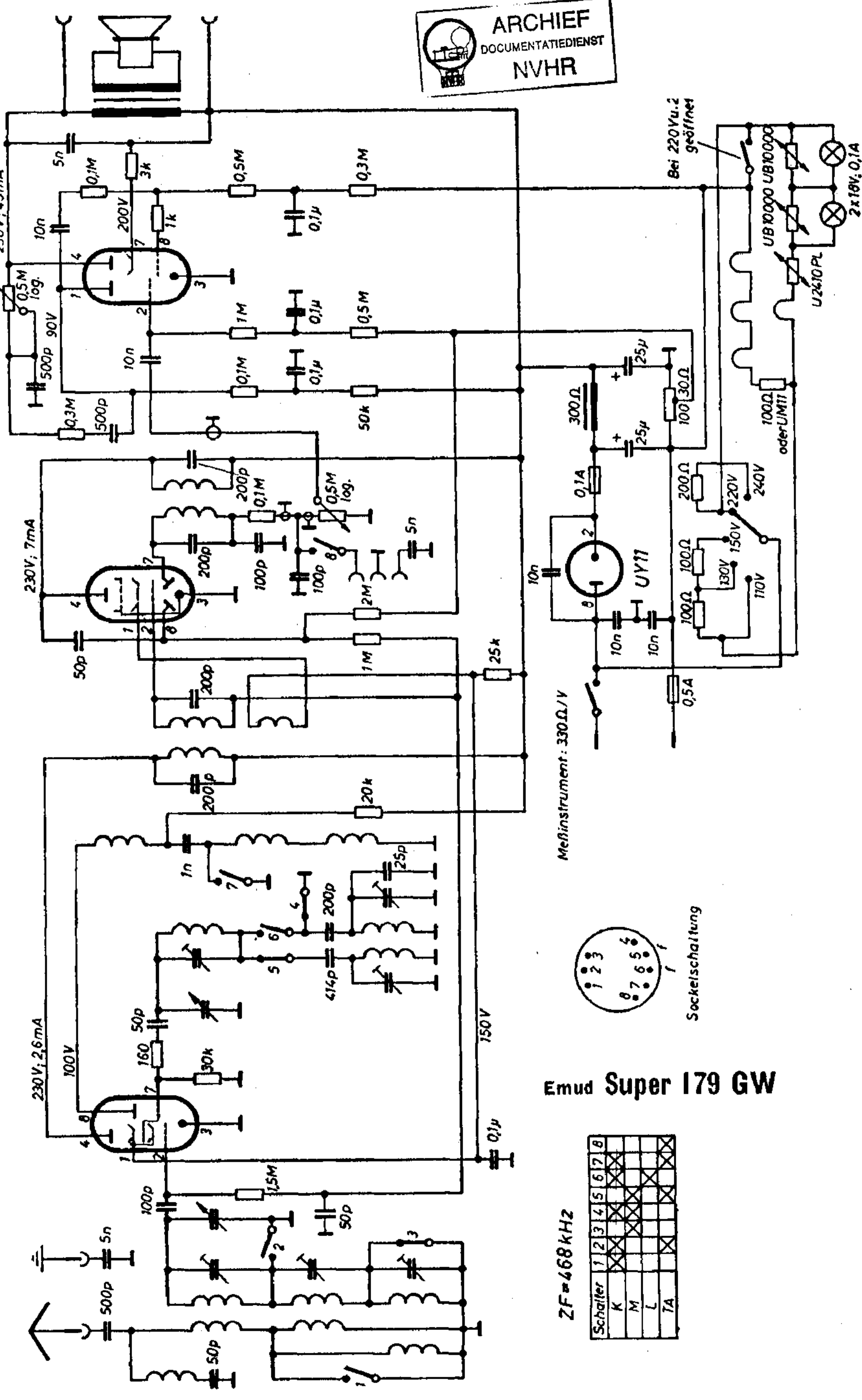


UCH11 UBF11 UCL11



ZF = 468 kHz

Schalter	1	2	3	4	5	6	7	8
K	X	X	X	X	X	X	X	X
M	X	X	X	X	X	X	X	X
L	X	X	X	X	X	X	X	X
TA	X	X	X	X	X	X	X	X



Socket connection

Meßinstrument: 330Ω/V

### Emud Super 179 GW