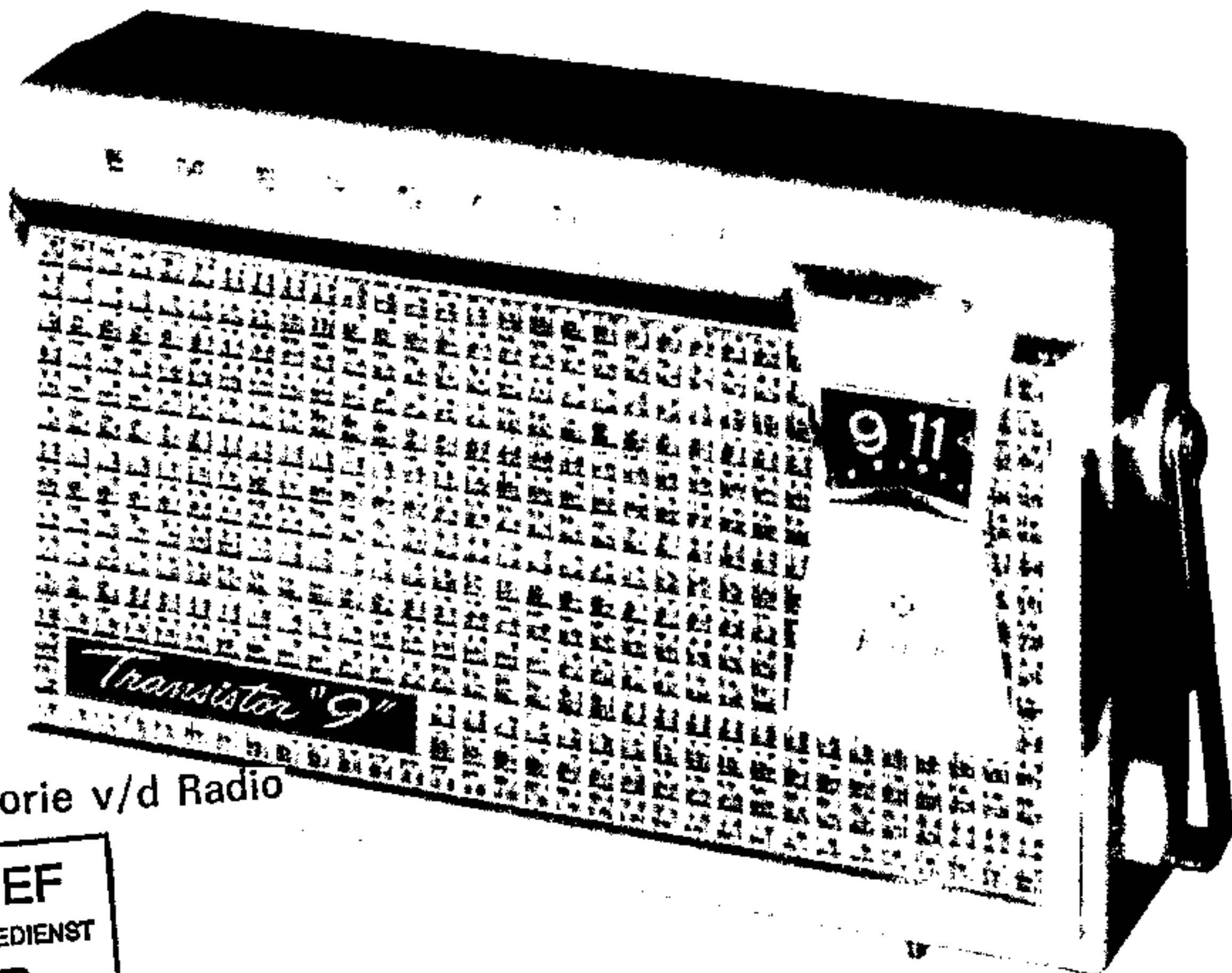
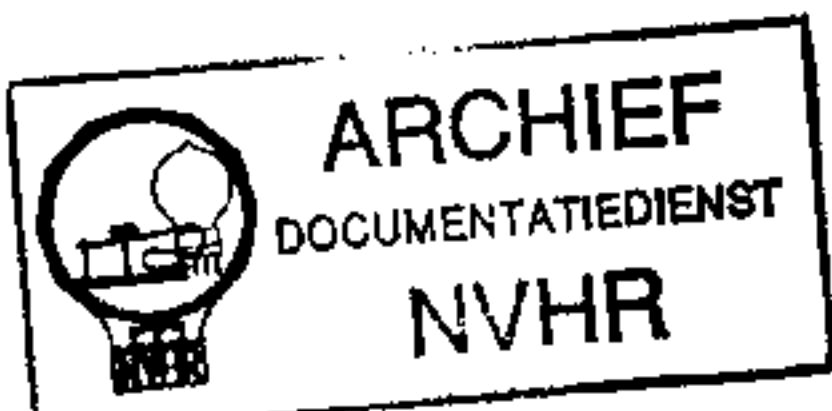


Met dank aan Jef Bos



Ned. Ver. v. Historie v/d Radio



TRADE NAME Emerson Model 911 (Ch. 120486)  
 MANUFACTURER Emerson Radio & Phono Corp., 524 W. 23rd Street, New York 11, N. Y.  
 TYPE SET Battery Operated Transistorized Portable AM Receiver  
 POWER SUPPLY 6 Volts DC RATING 15 MA @ 6 Volts DC (No Signal, Min. Volume)  
 TUNING RANGE—BROADCAST 540 — 1640KC 25 MA @ 6 Volts DC (Signal, Normal Volume)

## ALIGNMENT INSTRUCTIONS

### ALIGNMENT INSTRUCTIONS—READ CAREFULLY BEFORE ATTEMPTING ALIGNMENT

Volume control should be at maximum position. Output of signal generator should be no higher than necessary to obtain an output reading.

Suggested alignment tools: A4, A5, A6..... GENERAL CEMENT #5004, 5009, 8195, 8274, 8275, 8607, 8728, 8987, 8988, 8989, 9291  
 WALSCO #2515, 2520, 2522, 2523, 2531, 2532, 2534, 2537, 2538

	SIGNAL GENERATOR COUPLING	SIGNAL GENERATOR FREQUENCY	RADIO DIAL SETTING	OUTPUT METER	ADJUST	REMARKS
1.	Loop	455KC (400% Mod.)	Tuning gang fully open.	Across voice coil.	A1, A2, A3	Fashion loop of several turns of wire and radiate signal into loop of receiver. Adjust for maximum output.
2.	"	1640KC	"	"	A4	"
3.	"	1400KC	1400KC Signal	"	A5, A6	"
4.	"	600KC	600KC Signal	"	A7	Adjust for maximum output while rocking tuning gang.
5.	"	"	"	"	A8	Adjust for maximum output. Repeat Step 2.

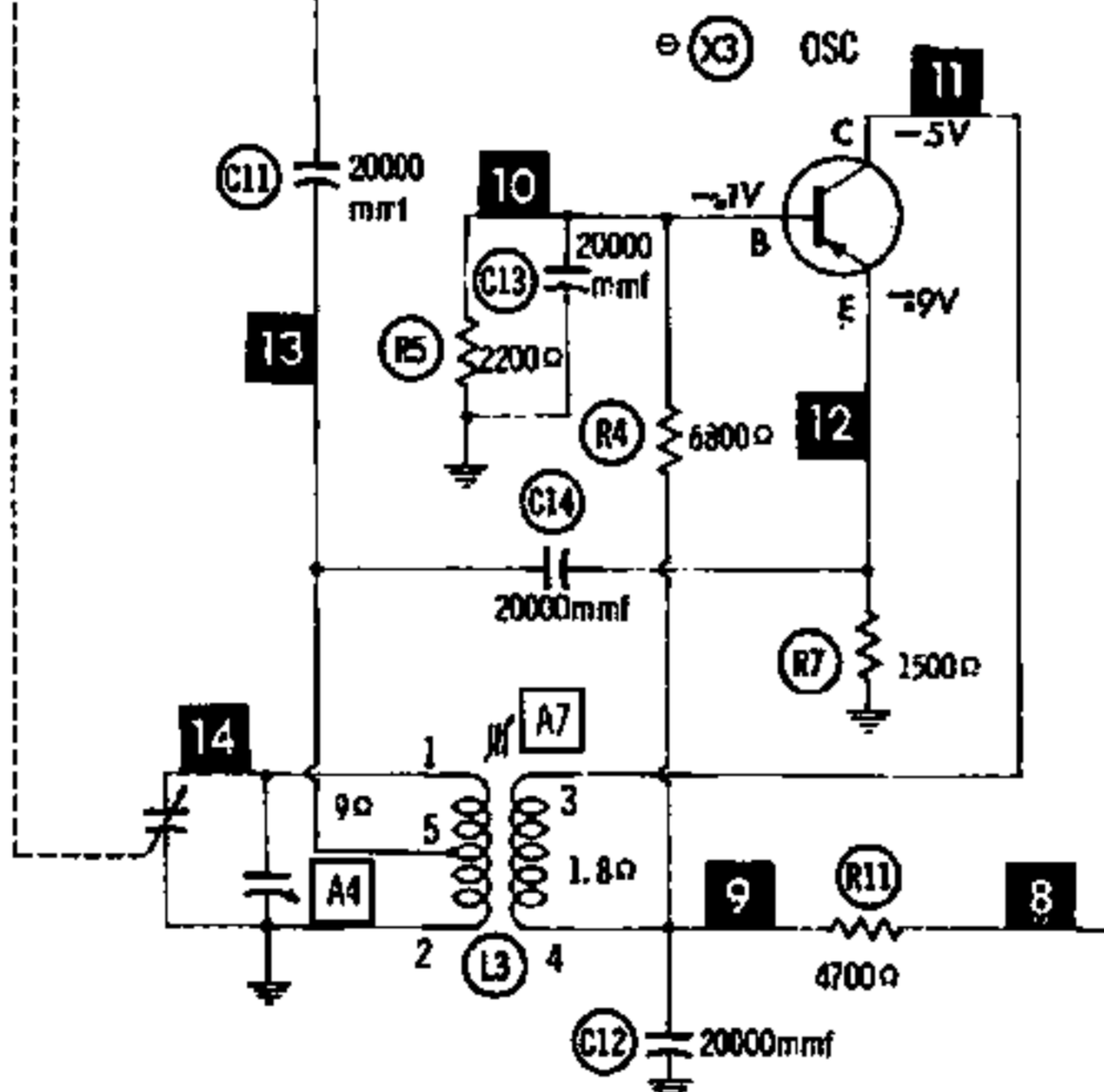
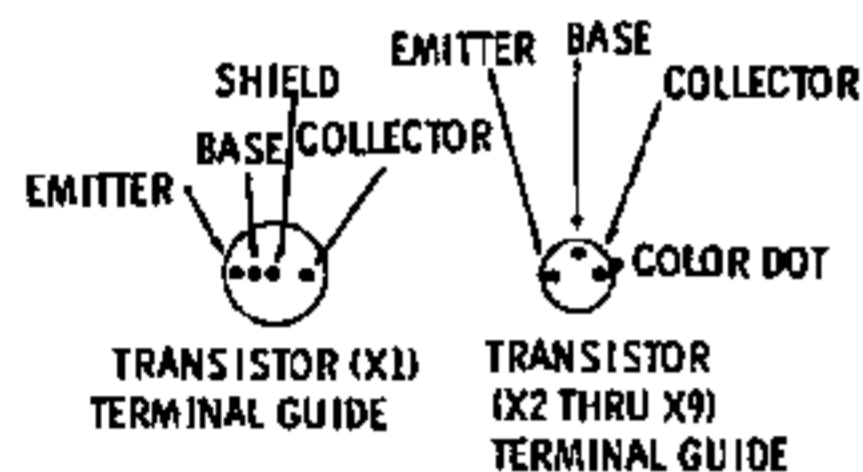
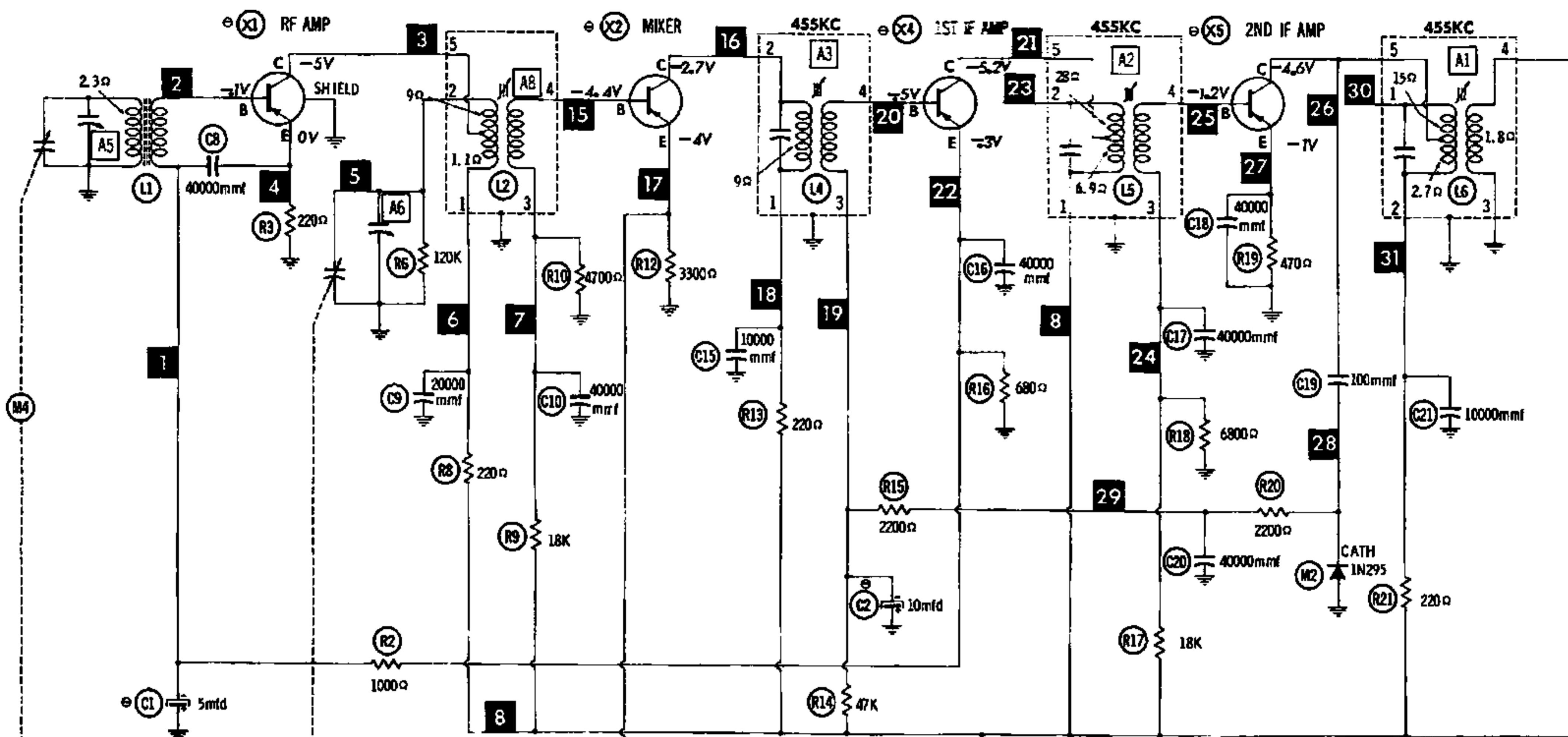
### DISASSEMBLY

1. Insert coin in slot at bottom of cabinet and twist. Remove rear cover.
2. Remove batteries.
3. Remove 3 Phillips head screws from ends of printed board.
4. Locate battery connector strip at battery end of printed board. Hold strip aside and remove chassis from cabinet.

**HOWARD W. SAMS & CO., INC.** Indianapolis 6, Indiana

The listing of any available replacement part herein does not constitute in any case a recommendation, warranty or guaranty by Howard W. Sams & Co., Inc., as to the quality and suitability of such replacement part. The numbers of these parts have been compiled from information furnished to Howard W. Sams & Co., Inc., by the manufacturers of JF933

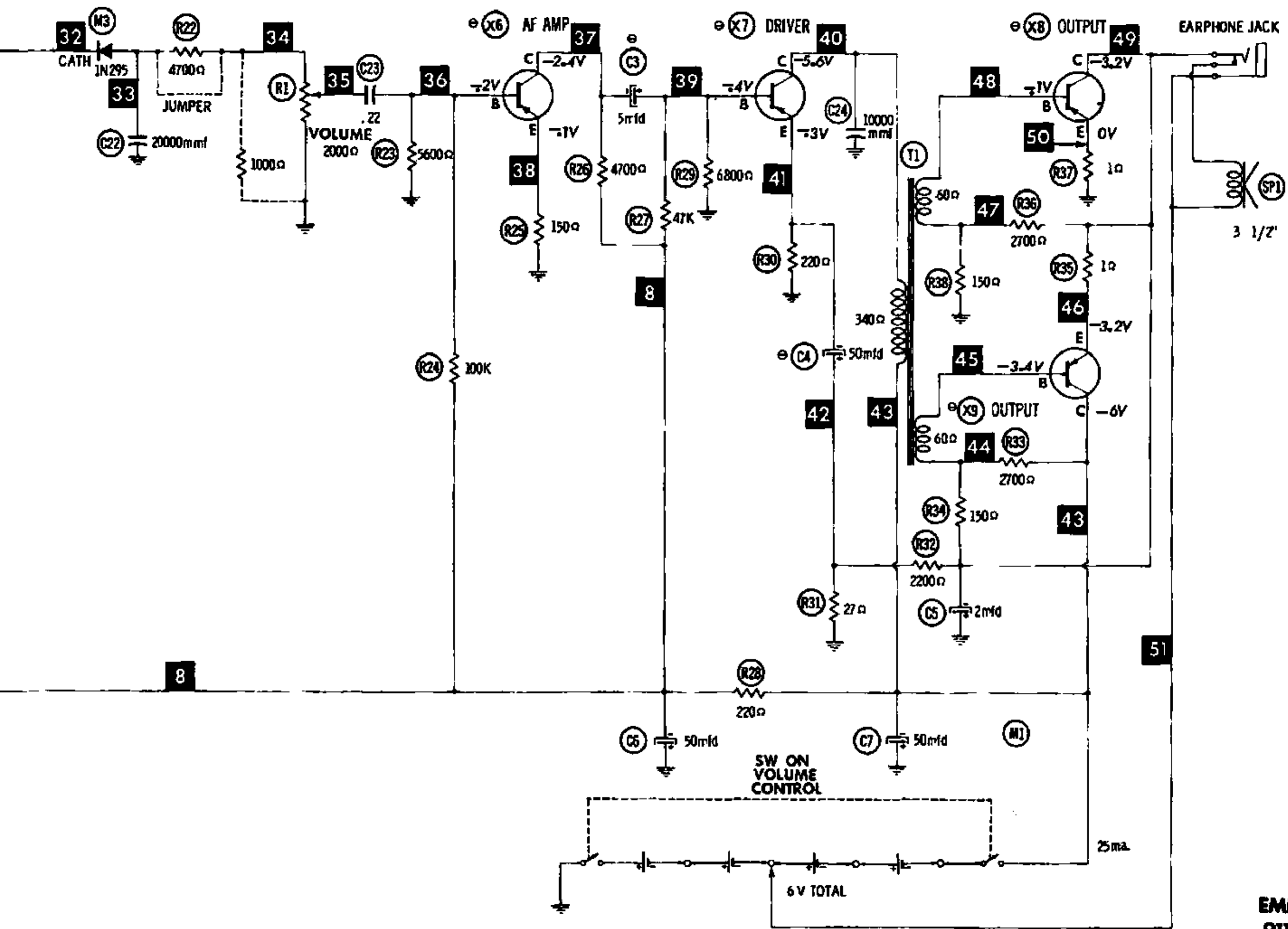
the particular type of replacement part listed. Reproduction or use, without express permission, of editorial or pictorial content, in any manner, is prohibited. No patent liability is assumed with respect to the use of the information contained herein. © 1960 Howard W. Sams & Co., Inc., Indianapolis 6, Indiana. Printed in U.S. of America



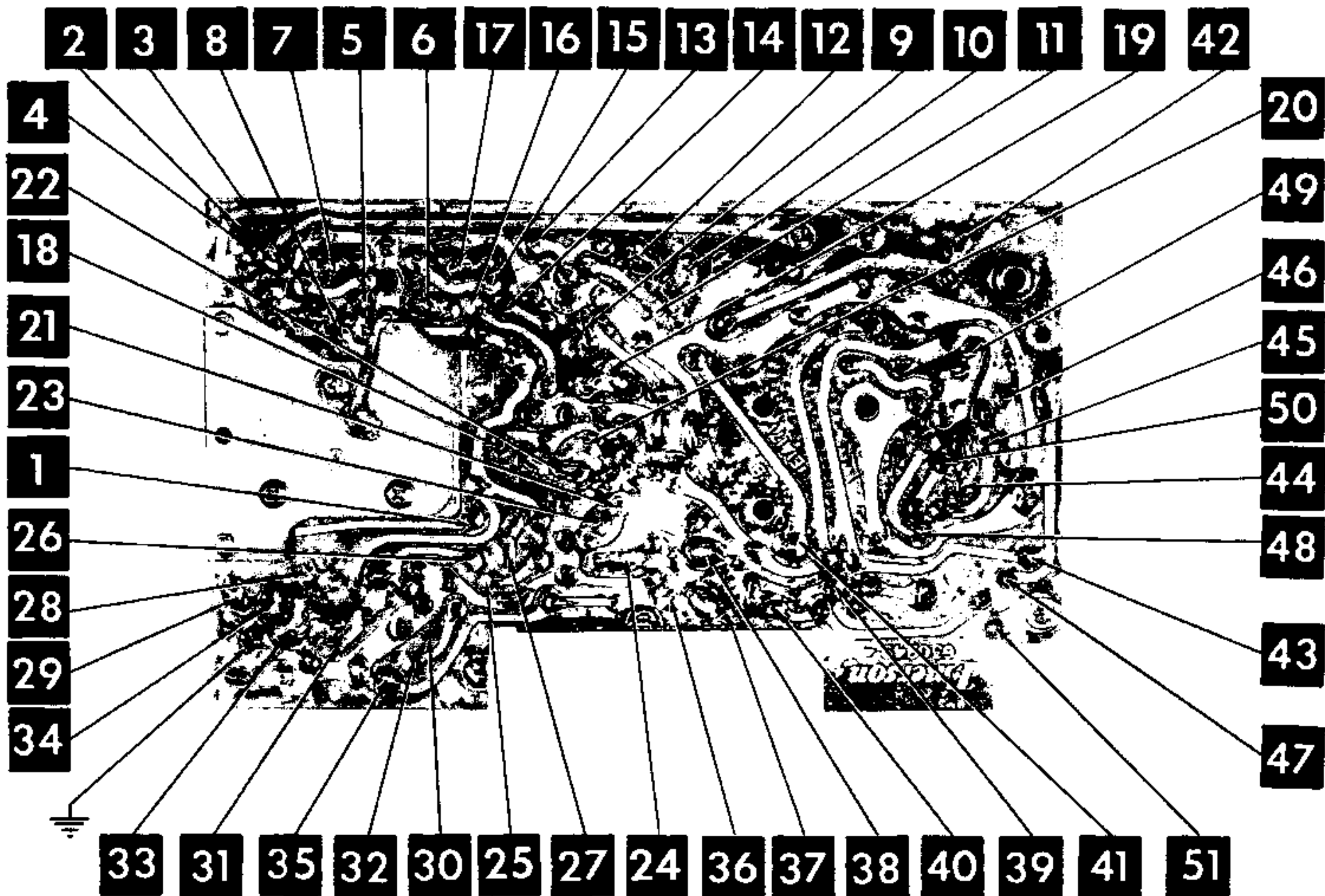
NUMBERS ASSIGNED TO COILS, SWITCHES, PLUGS, SOCKETS, AND TRANSFORMERS ARE TO FACILITATE CIRCUIT TRACING OR COMPONENT REPLACEMENT AND MAY NOT NECESSARILY BE FOUND ON THE UNIT.

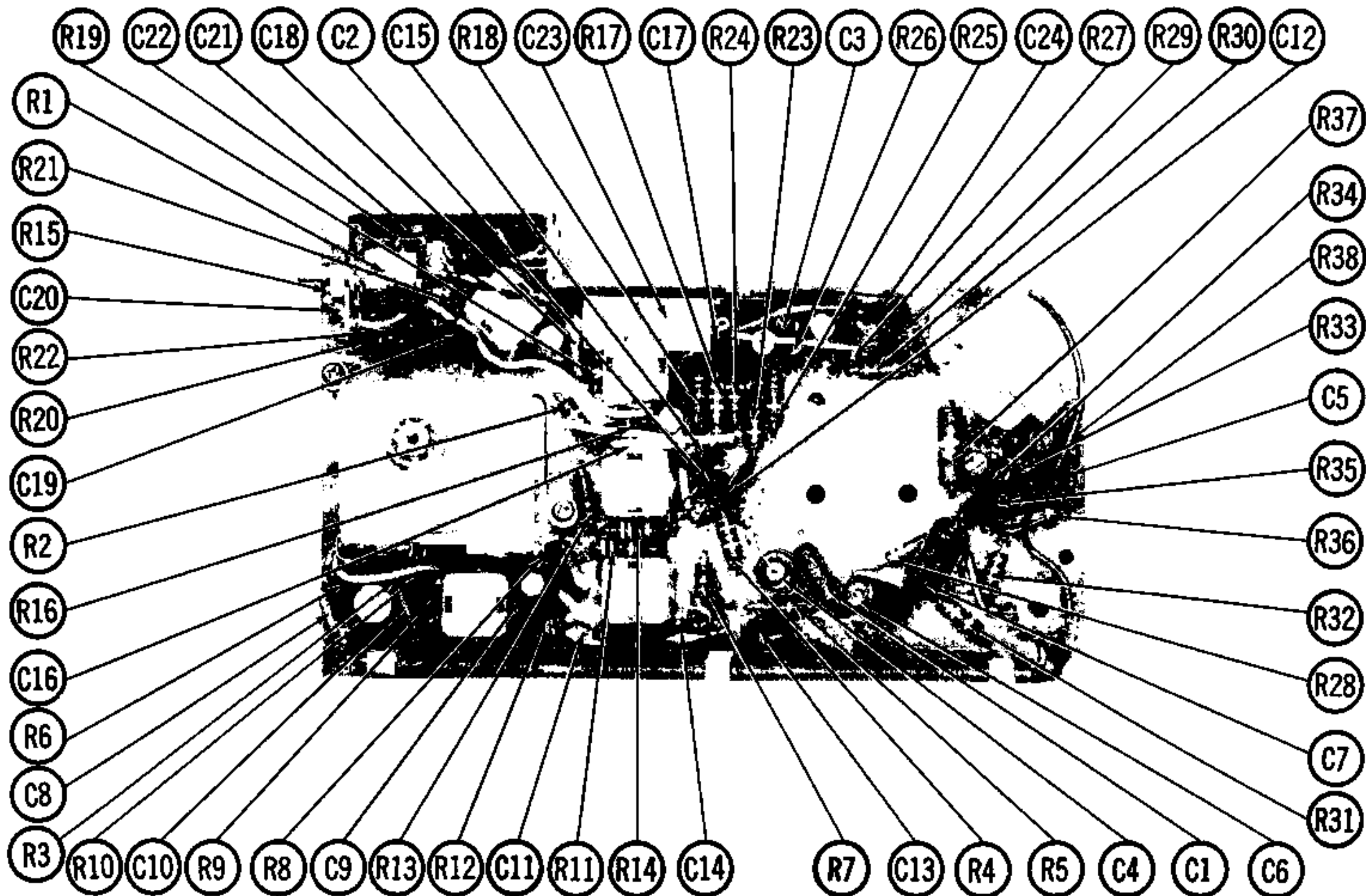
1. DC voltage measurements taken with vacuum tube voltmeter.
2. Socket connections or transistor terminals are shown as bottom views.
3. Measured values are from socket pin or terminal to common ground.
4. Nominal tolerance on component values makes possible a variation of  $\pm 15\%$  in voltage and resistance readings.
5. Volume control at maximum, no signal applied for voltage measurements.

RESISTANCE MEASUREMENTS NOT GIVEN BECAUSE OF THE WIDE VARIATION IN INTERNAL TRANSISTOR RESISTANCE.



EMERSON MODEL 911 (Ch. 120486)





CHASSIS TOP VIEW

## TRANSISTORS

ITEM No.	MFGR. PART NO.	USE	REPLACEMENT DATA				NOTES
			CBS PART No.	RCA PART No.	RAYTHEON PART No.	SYLVANIA PART No.	
X1	815064	RF Amp. (2N544)		2N544	2N487	2N544	PNP
X2	815065 *	Mixer (2N412)		2N412	2N486	2N412	PNP
X3	815067 †	Oscillator (2N410)		2N410	2N485	2N410	PNP
X4	815067	1st IF Amp. (2N410)		2N410	2N483	2N410	PNP
X5	815068	2nd IF Amp. (2N410)		2N410	2N483	2N410	PNP
X6	815069	AF Amp. (2N406)		2N406	2N362	2N406	PNP
X7	815070 †	Driver (2N406)		2N406	2N362	2N406	PNP
X8	815070 †	Output (2N408)		2N408	2N633	2N408	PNP
X9	815070 †	Output (2N408)		2N408	2N633	2N408	PNP } Matched Pair

Note: First 3 digits of original transistor Part Number may be replaced by letter "E".

\* Some versions may use Part #815066.

† Some versions may use Part #815067A, 815068.

‡ Part Number includes letter suffix. When X7 has "A", X8 and X9 should have "C" or "B"; When X7 has "B", X8 and X9 should have "B"; When X7 has "C", X8 and X9 should have "A".

## ELECTROLYTIC CAPACITORS

ITEM No.	RATING		REPLACEMENT DATA						NOTES
	CAP.	VOLT.	EMERSON PART No.	AEROVOX PART No.	CORNELL-DUBILIER PART No.	MALLORY PART No.	PYRAMID PART No.	SPRAGUE PART No.	
C1	5	10		XPP-10005	NLW5-15	TT12X5	ML5-15	TE-1127	①
C2	10	10		XPP-10010	NLW10-10	TT12X10	ML10-15	TE-1114	②
C3	5	10		XPP-10005	NLW5-15	TT12X5	ML5-15	TE-1127	③
C4	50	10	925491	XPP-10050	NLW50-10	TT10X50	ML50-15	TE-1119	④
C5	2	6	925487	XPP-6002	NLW2-5	TT6X2	ML2-6	TE-1081	
C6	50	10	925491	XPP-10050	NLV50-10	TT10X50	ML50-5	TE-1119	
C7	50	10	925491	XPP-10060	NLW50-10	TT10X50	ML50-5	TE-1119	

① Some versions may use 2mfd in this application (Part #925489).

② Some versions may use 2mfd in this application (Part #925488).

③ Some versions may use 2mfd in this application (Part #925493).

④ Some versions may use 2mfd in this application (Part #925490).

## FIXED CAPACITORS

Capacity values given in the rating column are in mfd. for Paper Capacitors, and in mmfd. for Mica and Ceramic Capacitors.

ITEM No.	RATING	REMARKS	REPLACEMENT DATA					
			AEROVOX PART No.	CENTRALAB PART No.	CORNELL-DUBILIER PART No.	ELMENCO PART No.	MALLORY PART No.	SPRAGUE PART No.
C8	40000		BPD-05	DD-403	BYB6S4		GP140	5HK-S40
C9	20000		BPD-02	DD-203	BYB6S2	CCD-203	B-120	5HK-S20
C10	40000		BPD-05	DD-403	BYB6S4		GP140	5HK-S40
C11	20000		BPD-02	DD-203	BYB6S2	CCD-203	B-120	5HK-S20
C12	20000		BPD-02	DD-203	BYB6S2	CCD-203	B-120	5HK-S20
C13	20000		BPD-02	DD-203	BYB6S2	CCD-203	B-120	5HK-S20
C14	20000		BPD-02	DD-203	BYB6S2	CCD-203	B-120	5HK-S20
C15	10000		BPD-01	DD-103	BYA10S1	CCD-103	B-110	5HK-S10
C16	40000		BPD-05	DD-403	BYB6S4		GP140	5HK-S40

# ND DESCRIPTIONS

## FIXED CAPACITORS (cont)

ITEM No.	RATING	REMARKS	REPLACEMENT DATA					
			AEROVOX PART No.	CENTRALAB PART No.	CORNELL-DUBILIER PART No.	ELMENCO PART No.	MALLORY PART No.	SPRAGUE PART No.
C17	40000		BPD-05	DD-403	BYB6S4		GP140	5HK-S40
C18	40000		BPD-05	DD-403	BYB6S4		GP140	5HK-S40
C19	100		BPD-0001	DD-101	L10T10	CCD-101	GP910	10TS-T10
C20	40000		BPD-05	DD-403	BYB6S4		GP140	5HK-S40
C21	10000		BPD-01	DD-103	BYA10S1	CCD-103	B-110	5HK-S10
C22	20000		BPD-02	DD-203	BYA10S2	CCD-203	B-120	5HK-S20
C23	.22 50V		P288N-22		CUB2P22	1DP-3-224	GEM-2022	2TM-P22
C24	10000		BPD-01	DD-103	BYA10S1	CCD-103	B-110	5HK-S10

## CONTROLS

ITEM No.	RATING		REPLACEMENT DATA				INSTALLATION NOTES	
	RESISTANCE	WATTS	EMERSON PART No.	CENTRALAB PART No.	CLAROSTAT PART No.	CTS-IRC PART No.		MALLORY PART No.
RIA B	2000Ω Switch	1/4	390611					Volume Power Off-On

## RESISTORS

All wattages 1/2 watt, or less, unless otherwise listed.

ITEM No.	RATING	REMARKS	ITEM No.	RATING	REMARKS	ITEM No.	RATING	REMARKS
R2	1000Ω		R15	2200Ω		R28	220Ω	
R3	220Ω		R16	680Ω		R29	6800Ω	
R4	6800Ω		R17	18K		R30	220Ω	
R5	2200Ω		R18	6800Ω		R31	27Ω	
R6	120K		R19	470Ω		R32	2200Ω	
R7	1500Ω		R20	2200Ω		R33	2700Ω	
R8	220Ω		R21	220Ω		R34	150Ω	
R9	18K		R22	4700Ω		R35	1Ω	
R10	4700Ω		R23	5600Ω		R36	2700Ω	
R11	4700Ω		R24	100K		R37	1Ω	
R12	3300Ω		R25	150Ω		R38	150Ω	
R13	220Ω		R26	4700Ω				
R14	47K		R27	47K				

## COILS (RF-IF)

ITEM No.	USE	REPLACEMENT DATA					NOTES
		EMERSON PART No.	Gramer PART No.	Meissner PART No.	Merit PART No.	Miller PART No.	
L1	Loopstick	700157					
L2	RF Coil	720357					
L3	Osc. Coil	716135					
L4	1st IF Trans.	720354					
L5	2nd IF Trans.	720355					
L6	3rd IF Trans.	720356					



# PARTS LIST AND DESCRIPTIONS (Continued)

## TRANSFORMER (DRIVER)

ITEM No.	TURNS RATIO		REPLACEMENT DATA					NOTES	
			EMERSON PART No.	Halldorson PART No.	Merit PART No.	Stancor PART No.	Thordarson PART No.		Triad PART No.
	PRI.	SEC.1							
T1	2	1	734185						
		SEC. 2							
		1							

## SPEAKER

ITEM No.	TYPE			REPLACEMENT DATA		NOTES
				EMERSON PART No.	QUAM PART No.	
	SIZE	FIELD	V. C. IMP.			
SP1	3 1/2"	PM	14-16Ω	180213		

## BATTERIES

ITEM No.	VOLTAGE	EMERSON PART No.	REPLACEMENT DATA				NOTES		
			BURGESS		EVEREADY			MALLORY	
			"A"	"B"	"A"	"B"		"A"	"B"
M1	1.5V	818122 *		930 *		1015 *		M-15R*	* 4 Required

## CRYSTAL DIODES

ITEM No.	ORIG. TYPE	REPLACEMENT DATA				NOTES
		EMERSON PART No.	CBS PART No.	RAYTHEON PART No.	SYLVANIA PART No.	
M2	1N295	817075	1N295	1N295	1N295	AVC Rectifier Detector
M3	1N295	817075	1N295	1N295	1N295	

## MISCELLANEOUS

ITEM No.	PART NAME	EMERSON PART No.	NOTES
M4	Tuning Cap. Printed Board	900196 630249	

## CABINETS & CABINET PARTS

(When Ordering Cabinets & Cabinet Parts, Specify Model, Chassis & Color)

NAME	PART NO.	DESCRIPTION
Knob	461194	Tuning (Coral)
Knob	460759K	Volume (Ebony)
Knob	460759L	Volume (Charcoal Grey)
Knob	460759M	Volume (Coral)
Knob	460759P	Volume (Ivory)
Knob	460759R	Volume (Gold)
Knob	460759S	Volume (Turquoise)
Cabinet	141049	Ebony
Cabinet	141049A	Charcoal Grey
Cabinet	141049B	Coral
Cabinet	14149C	Ivory
Cabinet	141049D	Gold
Cabinet	141049E	Turquoise
Cabinet Back	141057	Ebony
Cabinet Back	141057A	Charcoal Grey
Cabinet Back	141057B	Coral
Cabinet Back	141057C	Ivory
Cabinet Back	141057D	Gold
Cabinet Back	141057E	Turquoise

## WIRING DATA

General-use Unshielded Hook-up Wire ..... Use BELDEN No. 8530 (Solid) Available in Ten Colors  
8524 (Stranded) Available in Ten Colors



**CHASSIS—TOP VIEW**

