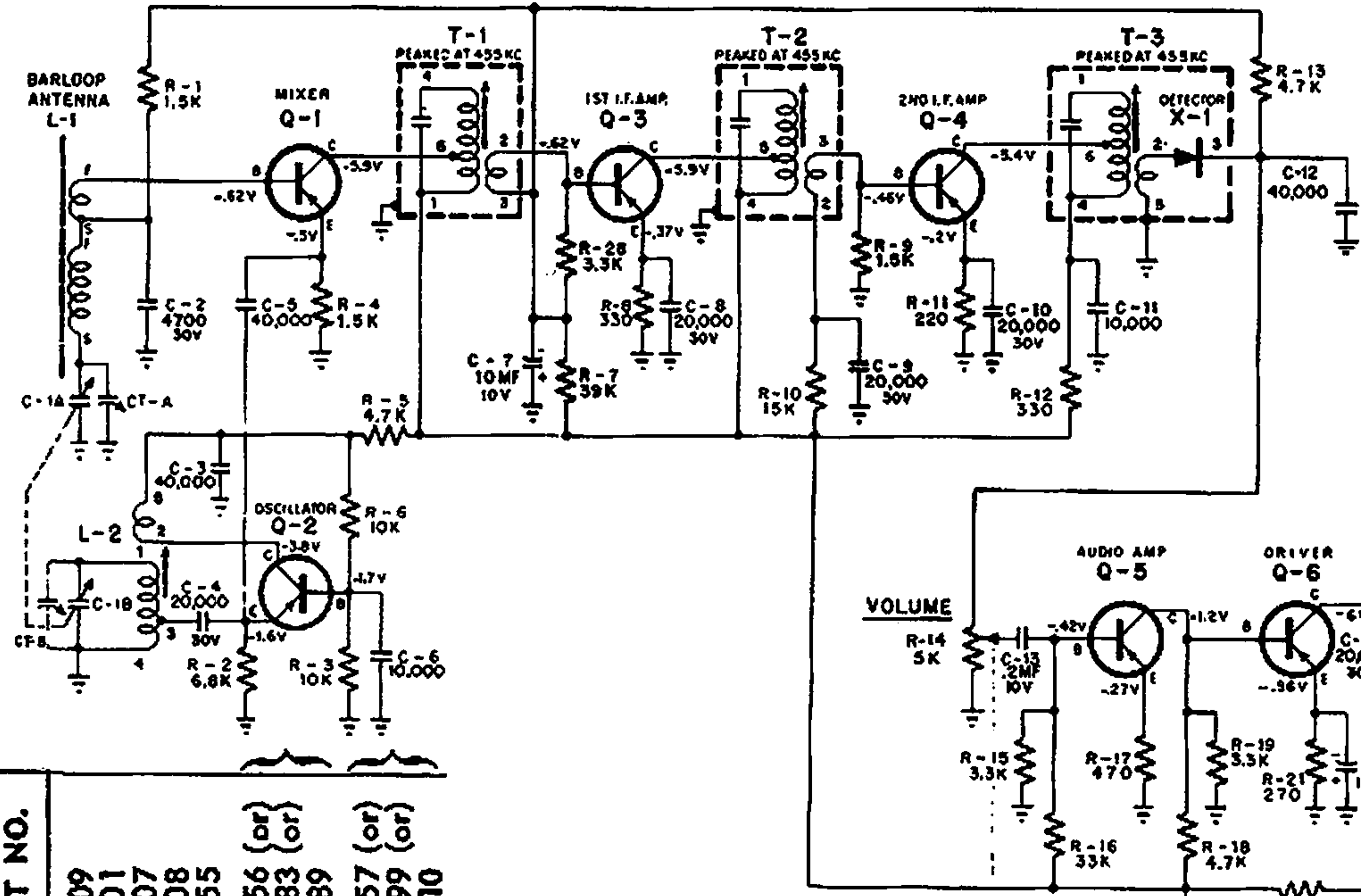
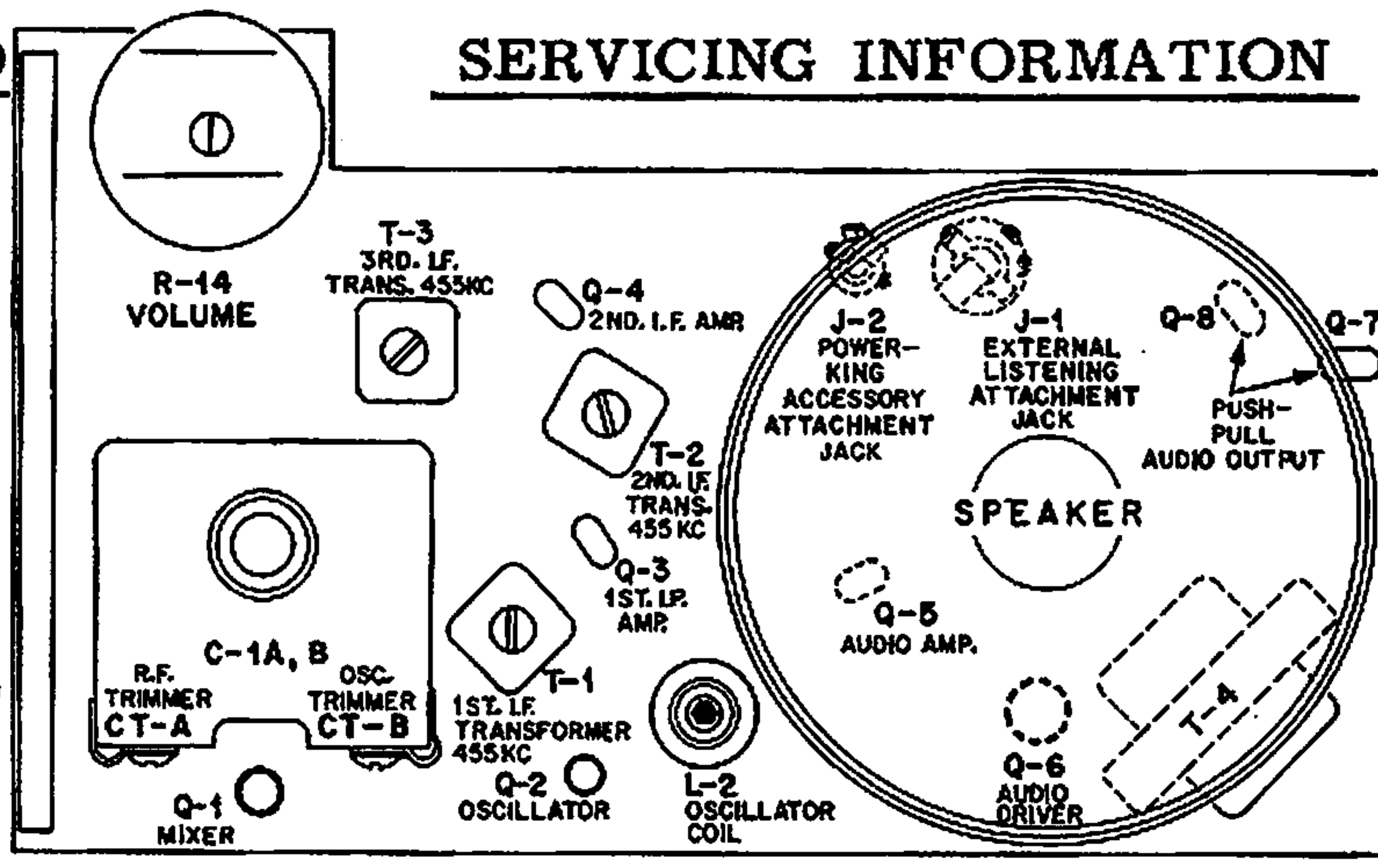


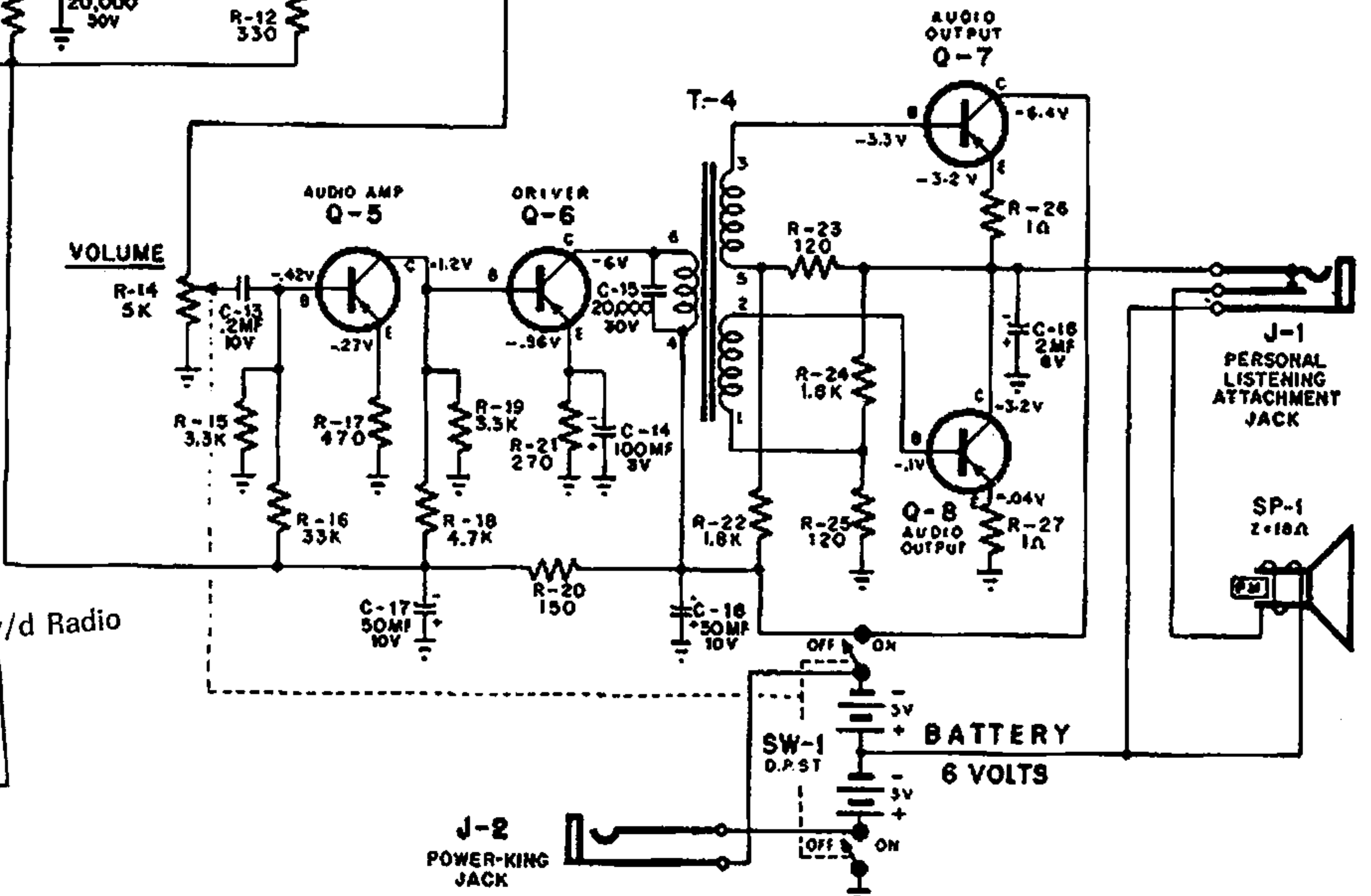
Emerson

MODELS:
 888 "TITAN"
 888 "GALAXY"
 CHASSIS: 120655



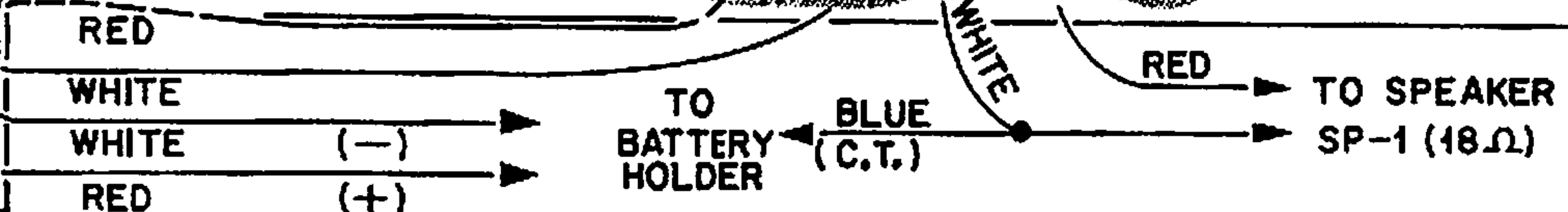
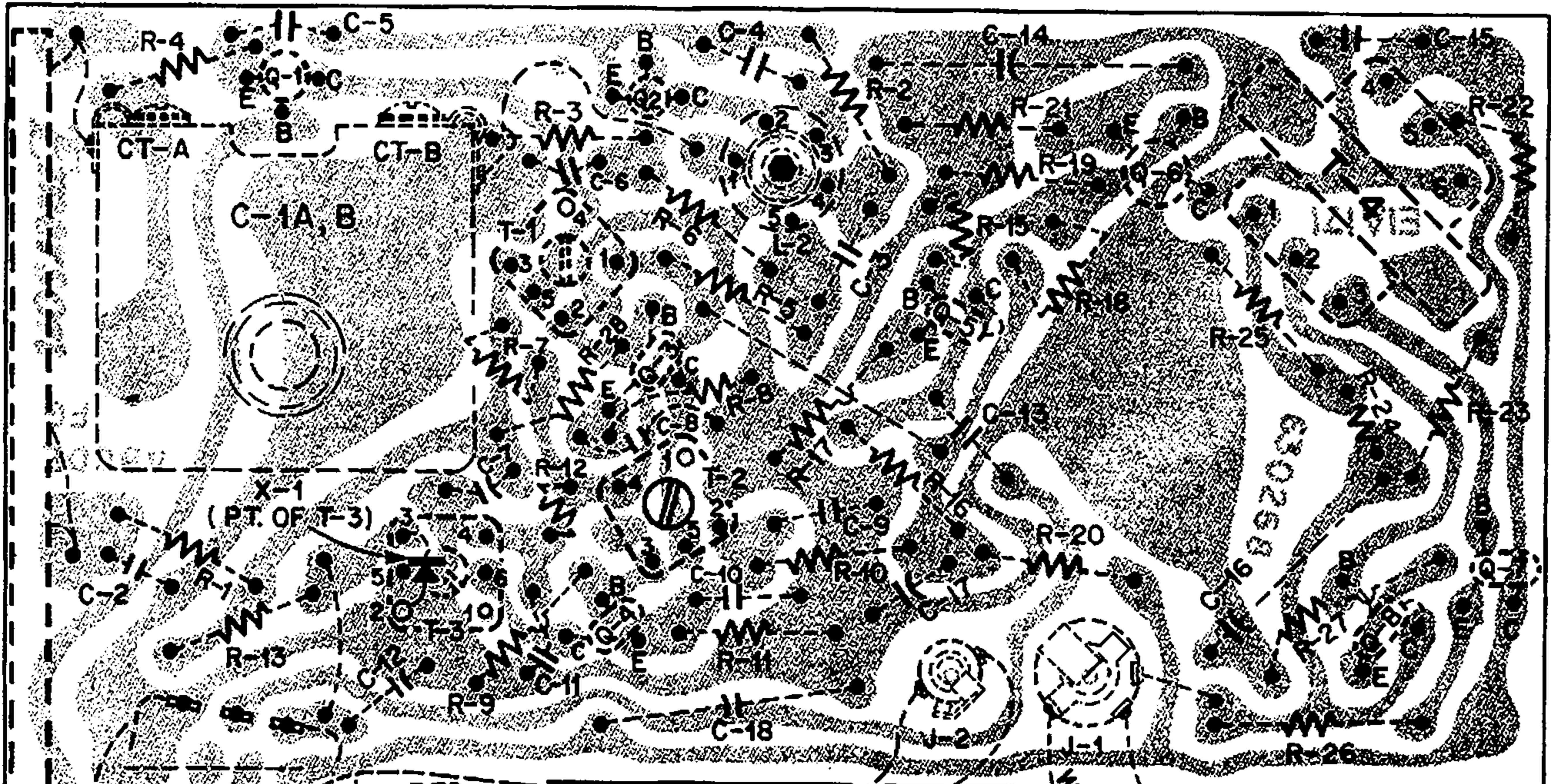
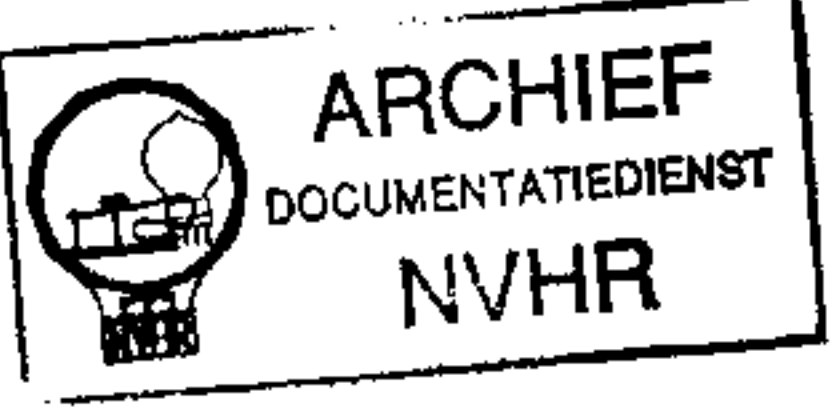
ALIGNMENT POINT LOCATION

⊃ CERAMIC CAPACITORS, CAPACITY IN PICO FARADS (pF) UNLESS NOTED.
 ⊃ TUBULAR CAPACITORS, CAPACITY IN MICROFARADS.
 ⊃ RESISTORS IN OHMS (K=1000 OHMS) AND 1/2 WATT.



PART NO.	SYMBOL
815109	Q-1
815101	Q-2
815107	Q-3
815108	Q-4
815055	Q-5
815056 (or)	Q-6
815083 (or)	
819089	
815057 (or)	Q-7, 8
815099 (or)	
815110	

Ned. Ver. v. Historie v/d Radio



ETCHED PRINTED CIRCUIT, CHASSIS 120655 (BOTTOM VIEW)

Met dank aan Gyula Kiss