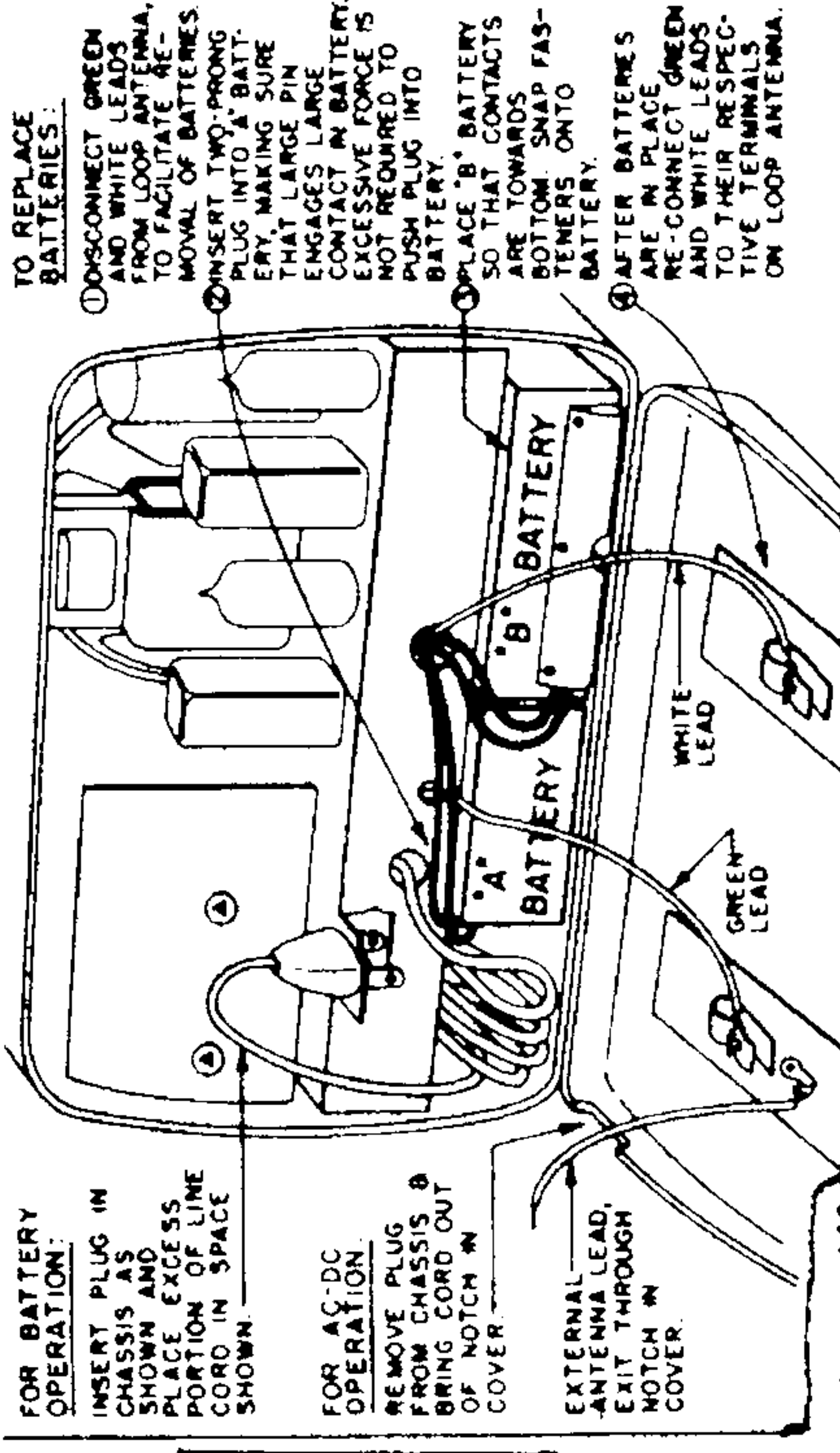


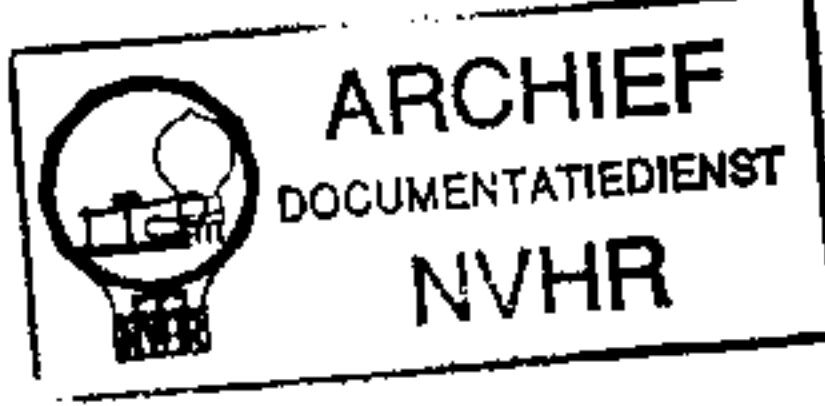
Emerson

MODEL - 790B

CHASSIS - 120147-B



Ned. Ver. v. Historie v/d Radio



RESISTANCE READINGS FOR CHASSIS 120147-B

SYMBOL	TUBE	PIN 1	PIN 2	PIN 3	PIN 4	PIN 5	PIN 6	PIN 7
V-1	1R5	0	*1.5K	*16.5K	100K	0	3.2 MEG	14
V-2	1U4	26	*1.5K	*1.5K	Infinite	26	3.3 MEG	38
V-3	1U5	14	*1.0 MEG	*4.7 MEG	1.0 MEG	NC	10 MEG	26
V-4	3V4	38	*1.5K	*1.5K	300	46	3.6 MEG	56
V-5	117Z3	NC	2.24K	490	0	490	2200	22K

*Resistance measured to Pin 6 of Rectifier 117Z3 (B+)

