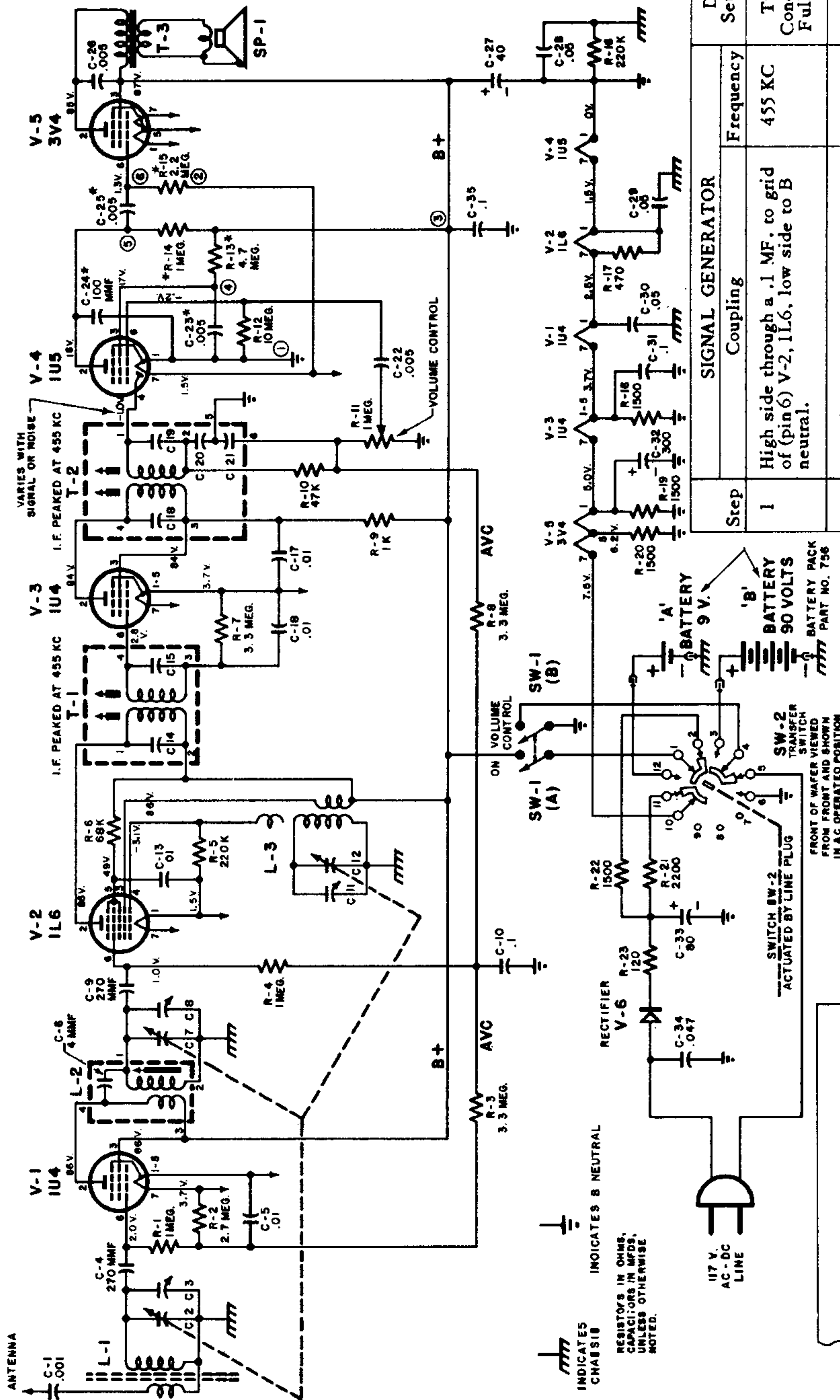


MANUAL OF 1954 MOST-OFTEN-NEEDED RADIO DIAGRAMS

EMERSON RADIO

MODEL 745B - 754D

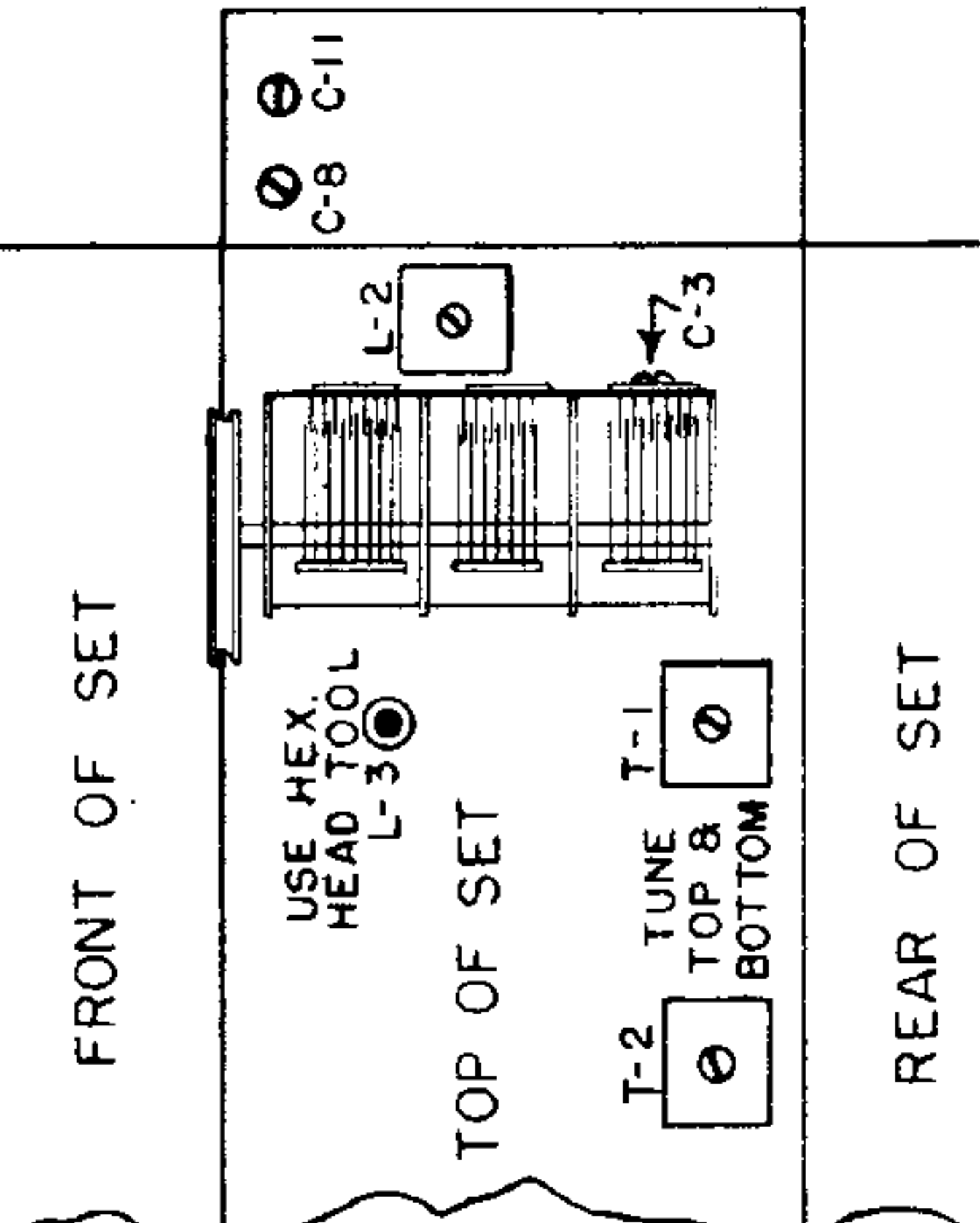
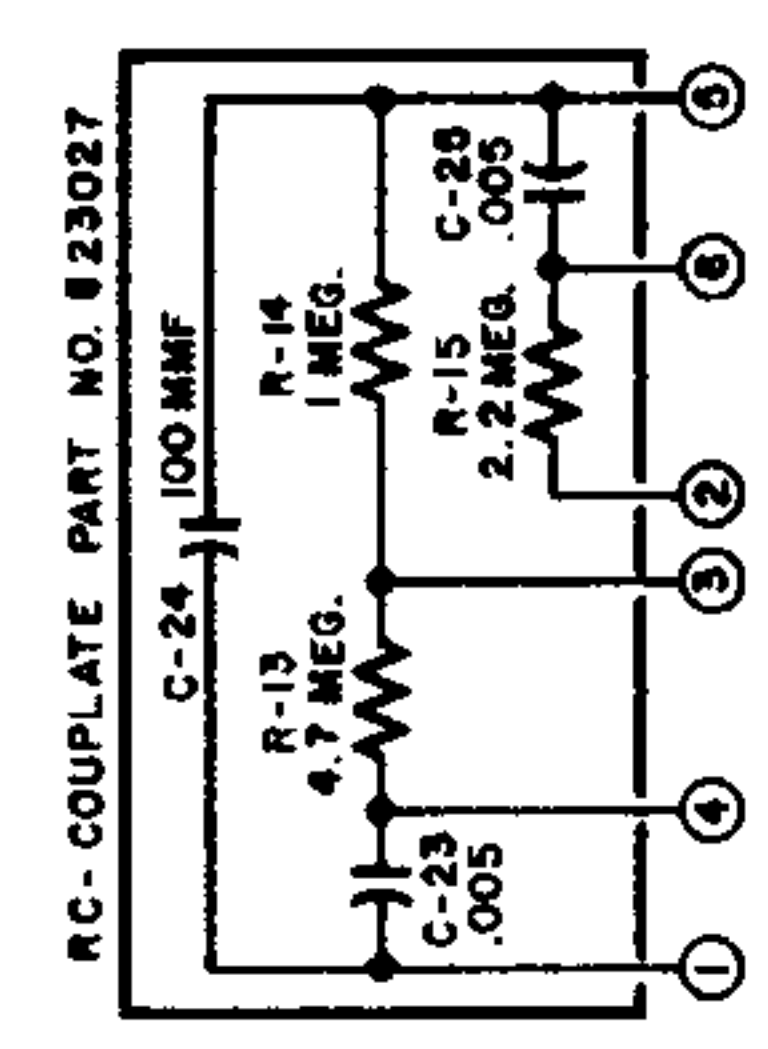
CHASSIS 120176-B



Step	SIGNAL GENERATOR		Adjust
	Coupling	Frequency	
1	High side through a .1 MF. to grid of (pin 6) V-2, 1L6, low side to B neutral.	455 KC	T-2, T-1 Top and Bottom
2	Form loop of several turns and radiate signal into receiver. Keep this loop perpendicular and about 20 in. from center of bar loop ant. in set.	1640 KC	C-11 (BC, OSC.)
3	"	1420 KC	C-8 (BC, RF) C-3 (Ant.)
4	"	530 KC	L-3 (Osc.) L-2 (R.F.)
5	Recheck steps 2 to 4 and retune if necessary		

Underside chassis cover must be secured in place when performing steps 2 to 5

② REFERS TO TERMINAL NUMBERS ON THE COUPLATE.
* INDICATES COMPONENTS ARE PART OF COUPLATE (PART NO. 923027).



INDICATES CHASSIS
INDICATES B NEUTRAL
RESISTORS IN OHMS,
CAPACITORS IN MFDS,
UNLESS OTHERWISE
NOTED.