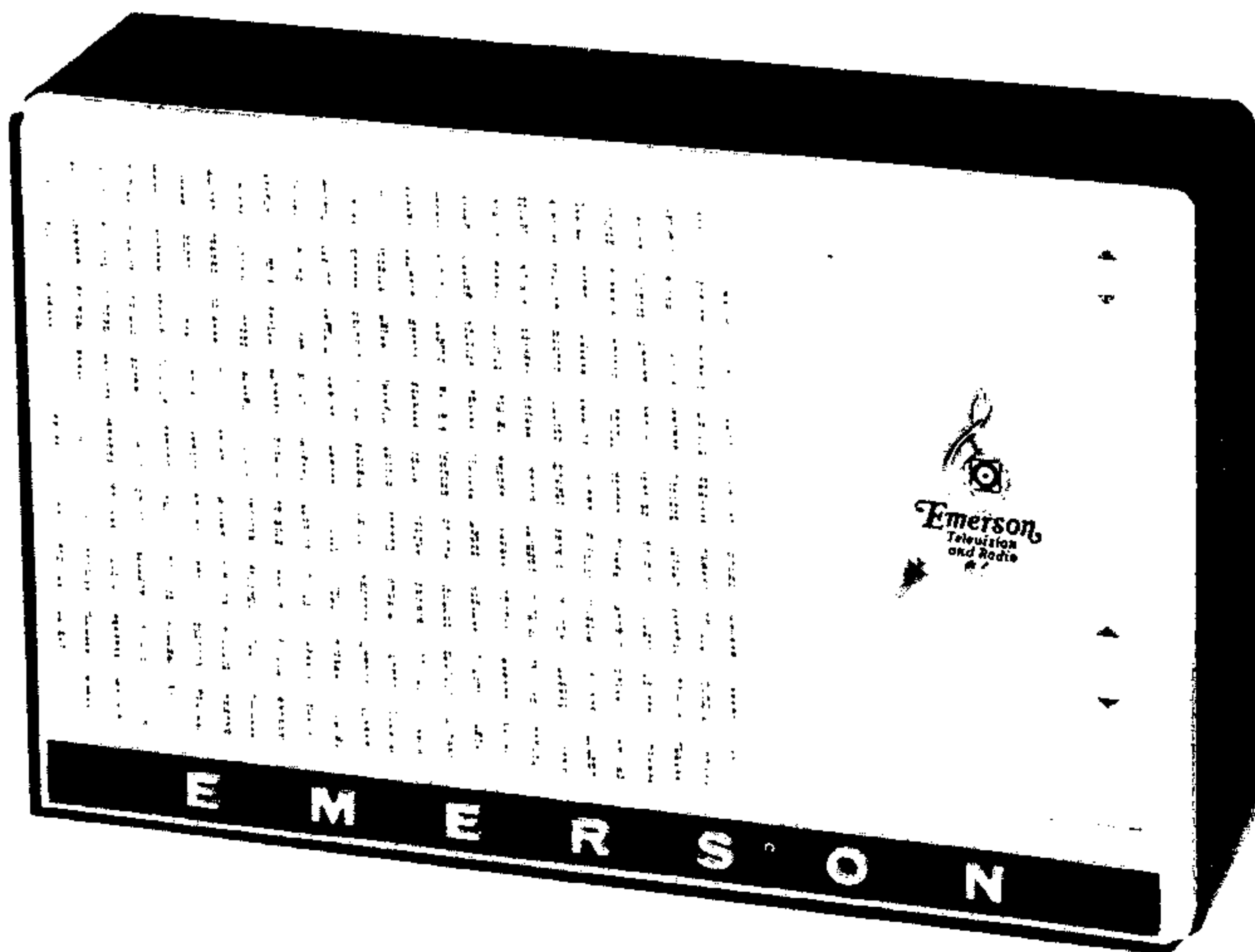


Met dank aan Jef Bos



TRADE NAME Emerson Model 555V (CH. 120510)
 MANUFACTURER Emerson Radio & Phono Corp., 524 W. 23rd Street, New York 11, N. Y. Ned. Ver. v. Historie
 TYPE SET Battery Operated Transistorized Portable AM Receiver
 POWER SUPPLY 6 Volts DC RATING 30 MA @ 6 Volts DC
 TUNING RANGE—BROADCAST 540 — 1620KC

ARCHIEF DOCUMENTATIEDIENS NVHR

ALIGNMENT INSTRUCTIONS

ALIGNMENT INSTRUCTIONS—READ CAREFULLY BEFORE ATTEMPTING ALIGNMENT

Volume control should be at maximum position. Output of signal generator should be no higher than necessary to obtain an output reading.

Suggested Alignment Tools:

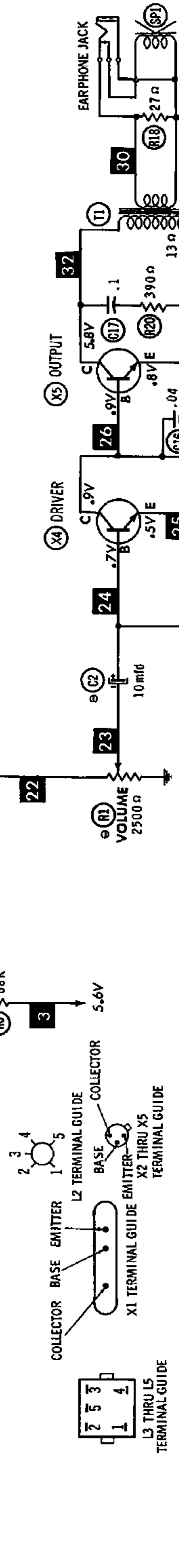
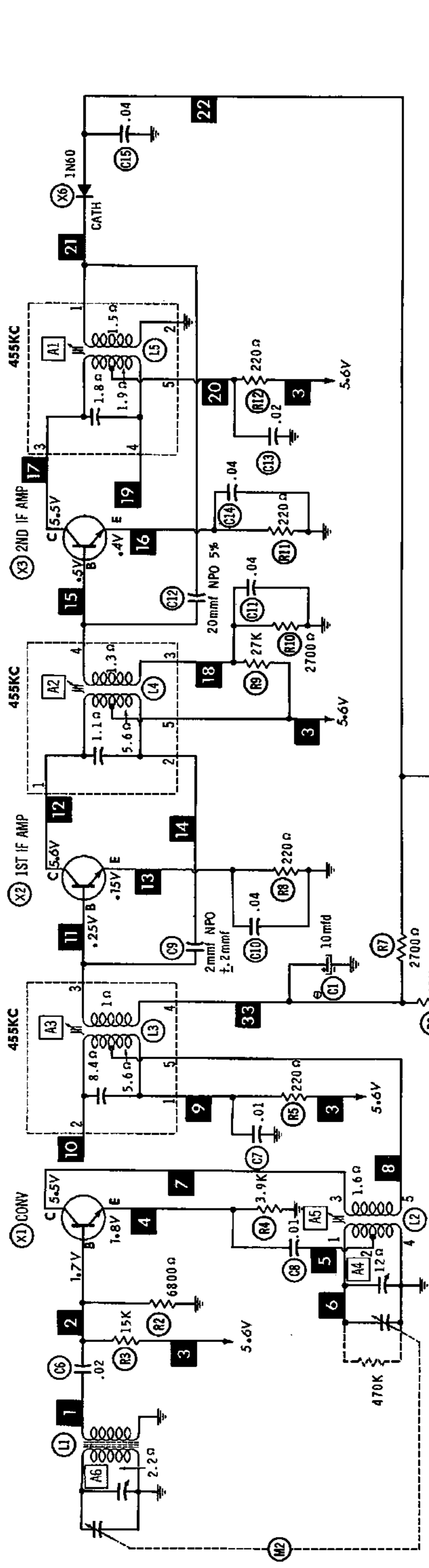
- A1, A2, A3..... GENERAL CEMENT #8282, 8606, 8606-L, 9091
 WALSCO #2526, 2541, 2542, 2543, 2544
- A4, A6..... GENERAL CEMENT #5004, 5008, 5009
 WALSCO #2520
- A5..... GENERAL CEMENT #8282, 8606, 8606-L, 9295, 9440
 WALSCO #2526, 2543, 2544, 2545

	SIGNAL GENERATOR COUPLING	SIGNAL GENERATOR FREQUENCY	RADIO DIAL SETTING	OUTPUT METER	ADJUST	REMARKS
1.	Fashion loop of several turns of wire and radiate signal into loop of receiver.	455KC (400% Mod.)	Tuning gang fully open.	Across voice coll.	A1, A2, A3	Adjust for maximum output.
2.	"	1600KC	1600KC	"	A4	"
3.	"	600KC	600KC	"	A5	Adjust for maximum output while rocking tuning gang.
4.	"	1400KC	1400KC Signal.	"	A6	Adjust for maximum output. Repeat steps 2, 3 and 4.

HOWARD W. SAMS & CO., INC. Indianapolis 6, Indiana

The listing of any available replacement part herein does not constitute in any case a recommendation, warranty or guaranty by Howard W. Sams & Co., Inc., as to the quality and suitability of such replacement part. The numbers of these parts have been compiled from information furnished to Howard W. Sams & Co., Inc., by the manufacturers of LF024

the particular type of replacement part listed. Reproduction or use, without express permission, of editorial or pictorial content, in any manner, is prohibited. No patent liability is assumed with respect to the use of the information contained herein. © 1962 Howard W. Sams & Co., Inc., Indianapolis 6, Indiana. Printed in U.S. of America



RESISTANCE MEASUREMENTS NOT GIVEN BECAUSE OF THE WIDE VARIATION IN INTERNAL TRANSISTOR RESISTANCE.

NUMBERS ASSIGNED TO COILS, SWITCHES, PLUGS, SOCKETS, AND TRANSFORMERS ARE TO FACILITATE CIRCUIT TRACING OR COMPONENT REPLACEMENT AND MAY NOT NECESSARILY BE FOUND ON THE UNIT.

SEE PARTS LIST FOR ALTERNATE VALUE OR APPLICATION

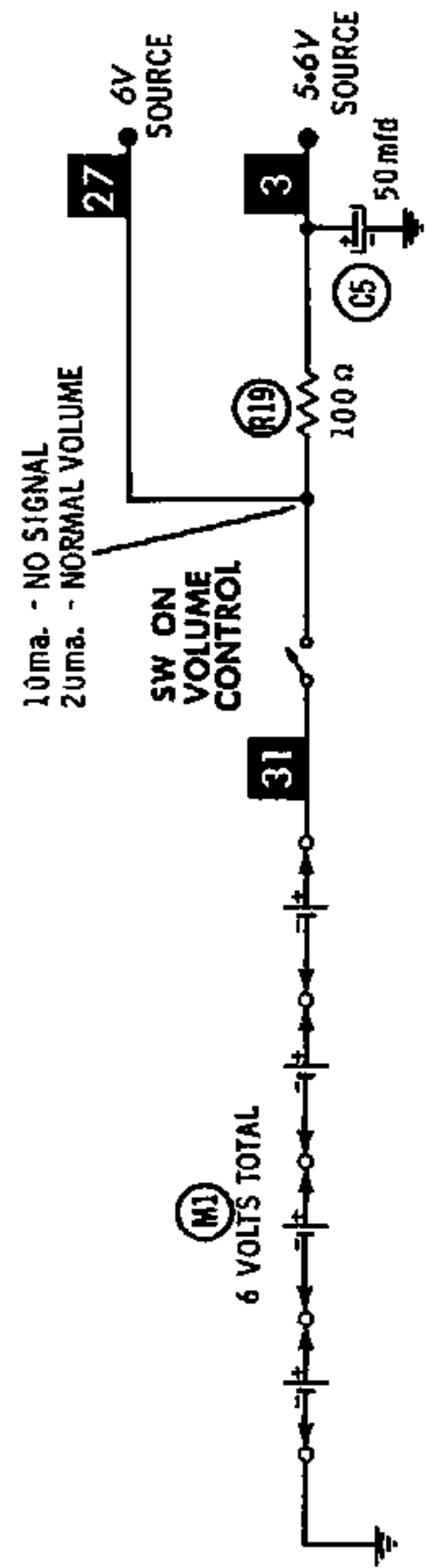
DC COIL RESISTANCE VALUES UNDER ONE OHM NOT SHOWN ON SCHEMATIC DIAGRAM

- DC voltage measurements taken with vacuum tube voltmeter.
- Socket connections or transistor terminals are shown as bottom views.
- Measured values are from socket pin or terminal to common ground.
- Nominal tolerance on component values makes possible a variation of $\pm 15\%$ in voltage and resistance readings.
- Volume control at maximum, no signal applied for voltage measurements.

A PHOTOFACT STANDARD NOTATION SCHEMATIC with CIRCUITRACE

Howard W. Sams & Co., Inc. 1962

EMERSON MODEL 555V (Ch. 120510)



PARTS LIST AND DESCRIPTIONS

WIRING DATA

General-use Unshielded Hook-up Wire Use BELDEN No. 8530 (Solid) Available in Ten Colors
8524 (Stranded) Available in Ten Colors

TRANSISTORS

ITEM No.	MFR. PART NO.	USE	REPLACEMENT DATA		NOTES
			RCA PART No.	RAYTHEON PART No.	
X1	815072	Converter			NPN
X2	815073	1st IF Amplifier			NPN
X3	815074	2nd IF Amplifier			NPN
X4	815075	Driver	2N647		NPN
X5	815076	Output	2N647		NPN

POWER RECTIFIERS & SIGNAL DIODES

ITEM No.	CURRENT RATING (Measured)	ORIGINAL Part or Type No.	RECTIFIERS		DIODES		NOTES
			RCA PART No.	SARKES TARZIAN PART No.	GENERAL ELECTRIC PART No.	RAYTHEON PART No.	
X8		817069				1N60	Detector (1N60)

ELECTROLYTIC CAPACITORS

ITEM No.	RATING		REPLACEMENT DATA						
	CAP.	VOLT.	EMERSON PART No.	AEROVOX PART No.	CORNELL-DUBILIER PART No.	GENERAL ELECTRIC PART No.	MALLORY PART No.	PYRAMID PART No.	SPRAGUE PART No.
C1	10	10	925464C	PTT39	NLW10-15	MT1-5	TT12X10	MLV10-10	TE-1114 ①
C2	10	10	925464C	PTT39	NLW10-15	MT1-5	TT12X10	MLV10-10	TE-1114 ②
C3A	40	10	925466	BCD10X8050	ECPANS	MT1-16	PETA2385	MLV40-12	VL-2350
B	80	10				MT1-19			
C4	10	6	925469	PTT23	NLW10-8	MT1-5	TT6X10	MLV10-8	TE-1087
C5	50	10	925468	PTT45	NLW50-10	MT1-16	TT10X50	MLV50-10	TE-1119

① Some versions may use 10mfd @ 3V Part #925464 in this application.

② Some versions may use 5mfd @ 3V Part #925465 in this application.

FIXED CAPACITORS

ITEM No.	RATING	REMARKS	REPLACEMENT DATA					
			AEROVOX PART No.	CENTRALAB PART No.	CORNELL-DUBILIER PART No.	ELMENCO PART No.	MALLORY PART No.	SPRAGUE PART No.
C6	.02		BPD-02	DA-203	H-05S2	CCD-203	TA-120	TG-S20
C7	.01		BPD-01	DM-103	H-05S1	CCD-103	TA-110	TG-S10
C8	.01		BPD-01	DM-103	H-05S1	CCD-103	TA-110	TG-S10
C9	2 ± .2mmf NPO	#929021		TCZ-2R2			CNO-522	10TCC-V22
C10	.04 50V		V84C-S47	DDA-503	DPMS2S47	IDP-2-473		2WF-S47
C11	.04				H-05S5		TA-150	TG-S50
C12	20 NPO 5%	#929007		DTZ-20	C10Q2C			10TCC-Q20
C13	.02		BPD-02	DA-203	H-05S2	CCD-203	TA-120	TG-S20
C14	.04 50V		V84C-S47	DDA-503	DPMS2S47	IDP-2-473		2WF-S47
C15	.04 50V		V84C-S47	DDA-503	DPMS2S47	IDP-2-473		2WF-S47
C16	.04 50V		V84C-S47	DDA-503	DPMS2S47	IDP-2-473		2WF-S47
C17	.1 50V			DDA-104	DPMS2P1			2WF-P10

Emerson Part Number.

CONTROLS

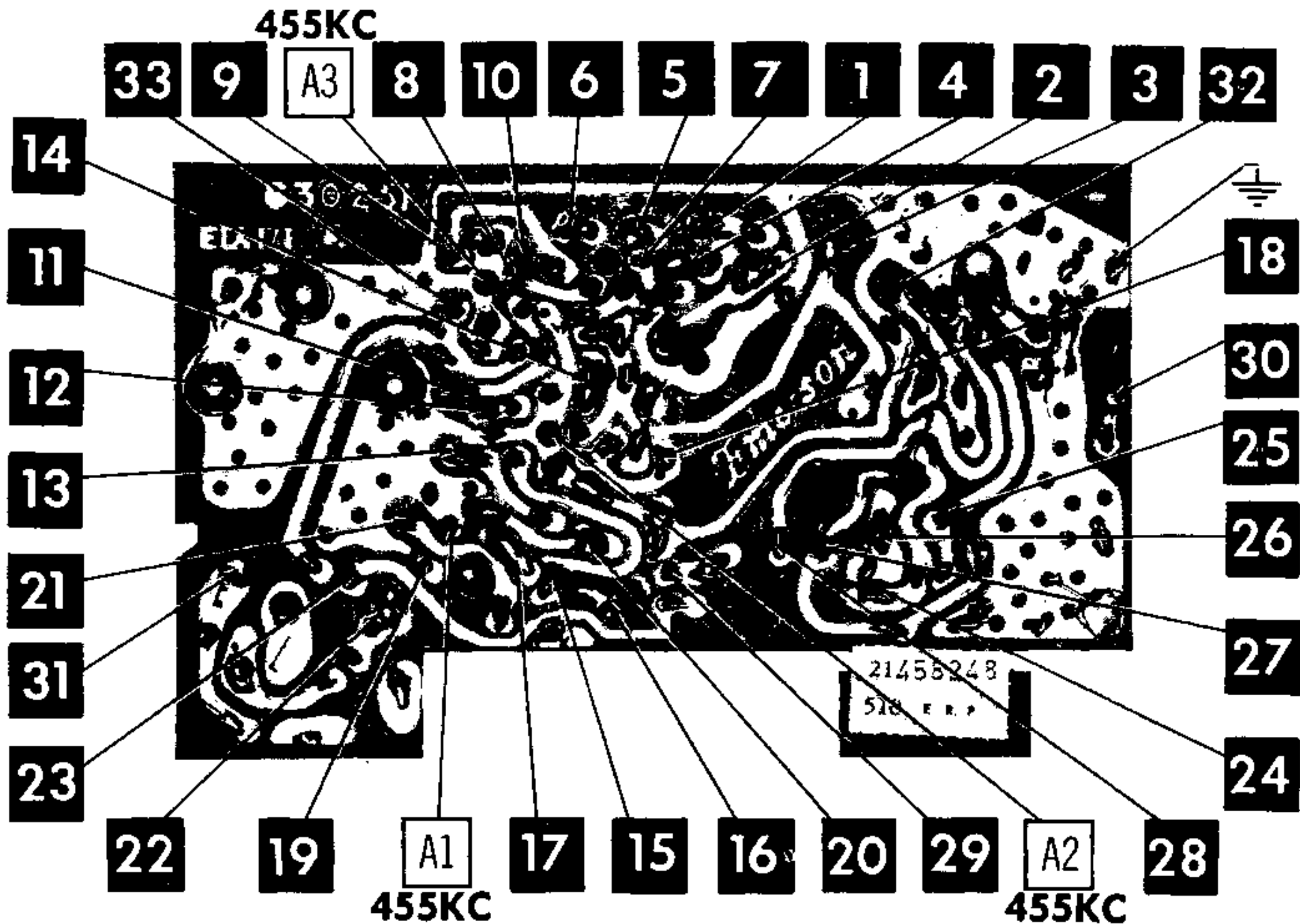
All wattages 1/2 watt, or less, unless otherwise listed.

ITEM No.	USE	RESISTANCE	REPLACEMENT DATA				
			EMERSON PART No.	CENTRALAB PART No.	CLAROSTAT PART No.	CTS-IRC PART No.	MALLORY PART No.
R1	Volume (With Switch)	2500Ω	390581 ①				

① Alternate Part #390584.

PRINTED BOARD

A Howard W. Barnes CIRCUITRY Photo



PARTS LIST AND DESCRIPTIONS (Continued)

RESISTORS

All wattages 1/2 watt, or less, unless otherwise listed.

ITEM No.	RATING	REPLACEMENT DATA			ITEM No.	RATING	REPLACEMENT DATA		
		IRC PART No.	WORKMAN TV PART No.	REMARKS			IRC PART No.	WORKMAN TV PART No.	REMARKS
R2	6800Ω				R12	220Ω			
R3	15K				R13	1500Ω			
R4	3900Ω				R14	220Ω 5%			
R5	220Ω				R15	470Ω			
R6	68K				R16	2700Ω			
R7	2700Ω				R17	30Ω 5%			
R8	220Ω				R18	27Ω			
R9	27K				R19	100Ω			
R10	2700Ω				R20	390Ω			
R11	220Ω								

COILS (RF-IF)

ITEM No.	USE	REPLACEMENT DATA					NOTES
		EMERSON PART No.	Merit PART No.	Miller PART No.	Stancor PART No.	Workman TV PART No.	
L1	Loopstick	700147					
L2	Osc.	716130					
L3	1st IF	720362					
L4	2nd IF	720363					
L5	3rd IF	720347					

TRANSFORMER (AUDIO OUTPUT)

ITEM No.	IMPEDANCE		REPLACEMENT DATA					NOTES
	PRI.	SEC.	EMERSON PART No.	Merit PART No.	Stancor PART No.	Thordarson PART No.	Triad PART No.	
T1	120Ω	3-4Ω	734194					

SPEAKER

ITEM No.	TYPE			REPLACEMENT DATA		NOTES
	SIZE	FIELD	V. C. IMP.	EMERSON PART No.	QUAM PART No.	
SP1	3"	PM	3-4Ω	180190		

BATTERIES

ITEM No.	VOLTAGE	EMERSON PART No.	REPLACEMENT DATA						NOTES
			BURGESS		EVEREADY		MALLORY		
			"A"	"B"	"A"	"B"	"A"	"B"	
M1	1½V			930		1016		M-15R	4 Required

MISCELLANEOUS

ITEM No.	PART NAME	EMERSON PART No.	NOTES
M2	Tuning Cap.	900186	2 Gang

CABINETS & CABINET PARTS

(When Ordering Cabinets & Cabinet Parts, Specify Model, Chassis & Color)

NAME	PART NO.	DESCRIPTION
Cabinet Back	461249	White
Cabinet Back	461107	Gold
Cabinet Body	140962	Black
Cabinet Body	140962A	Ivory
Cabinet Body	140962B	Coral
Cabinet Body	140962C	Charcoal
Cabinet Body	140962D	Gold
Cabinet Body	140962E	Turquoise

CHASSIS—TOP VIEW

