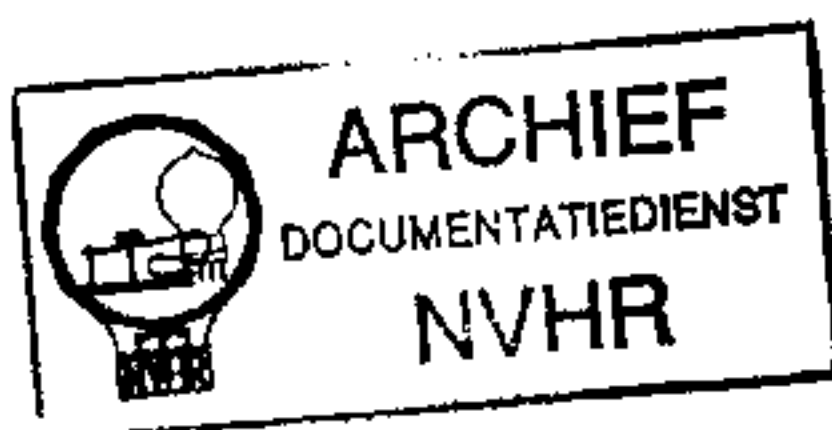


# Eltra 145 GW

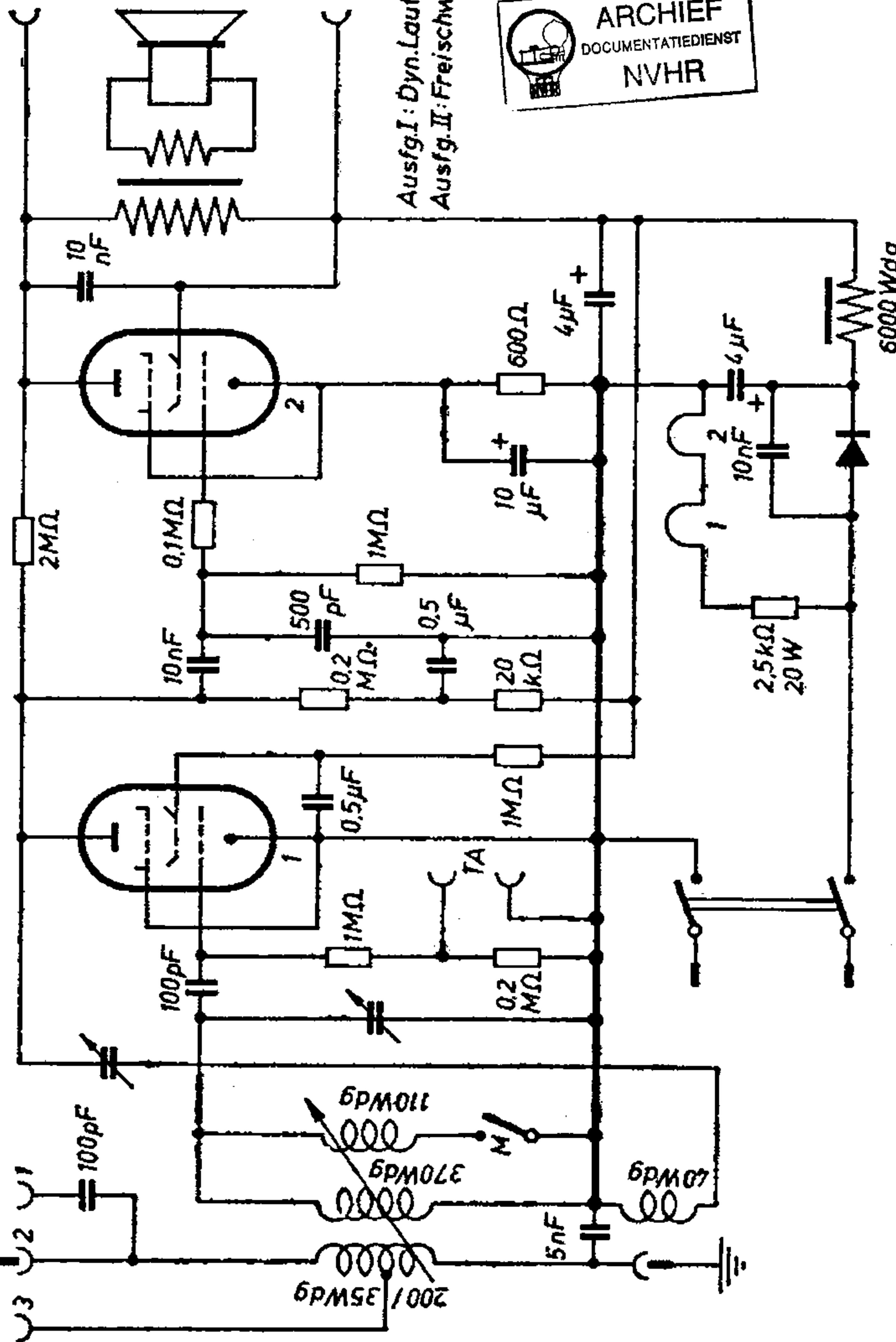
Ned. Ver. v. Historie v/d Radio



RV12P2000

RV12P2000

Ausfg. I: Dyn. Lautspr.  
Ausfg. II: Freischwinger



6000 Wdg

2.5kΩ  
20W

4μF

10μF

10nF

4μF

10μF

0.5μF

1MΩ

500pF

0.1MΩ

10nF

2MΩ

100pF

100pF

5nF

200/35Wdg

6PM011  
110Wdg

6PM02  
370Wdg

6PM01  
60Wdg

U1  
U2  
U3