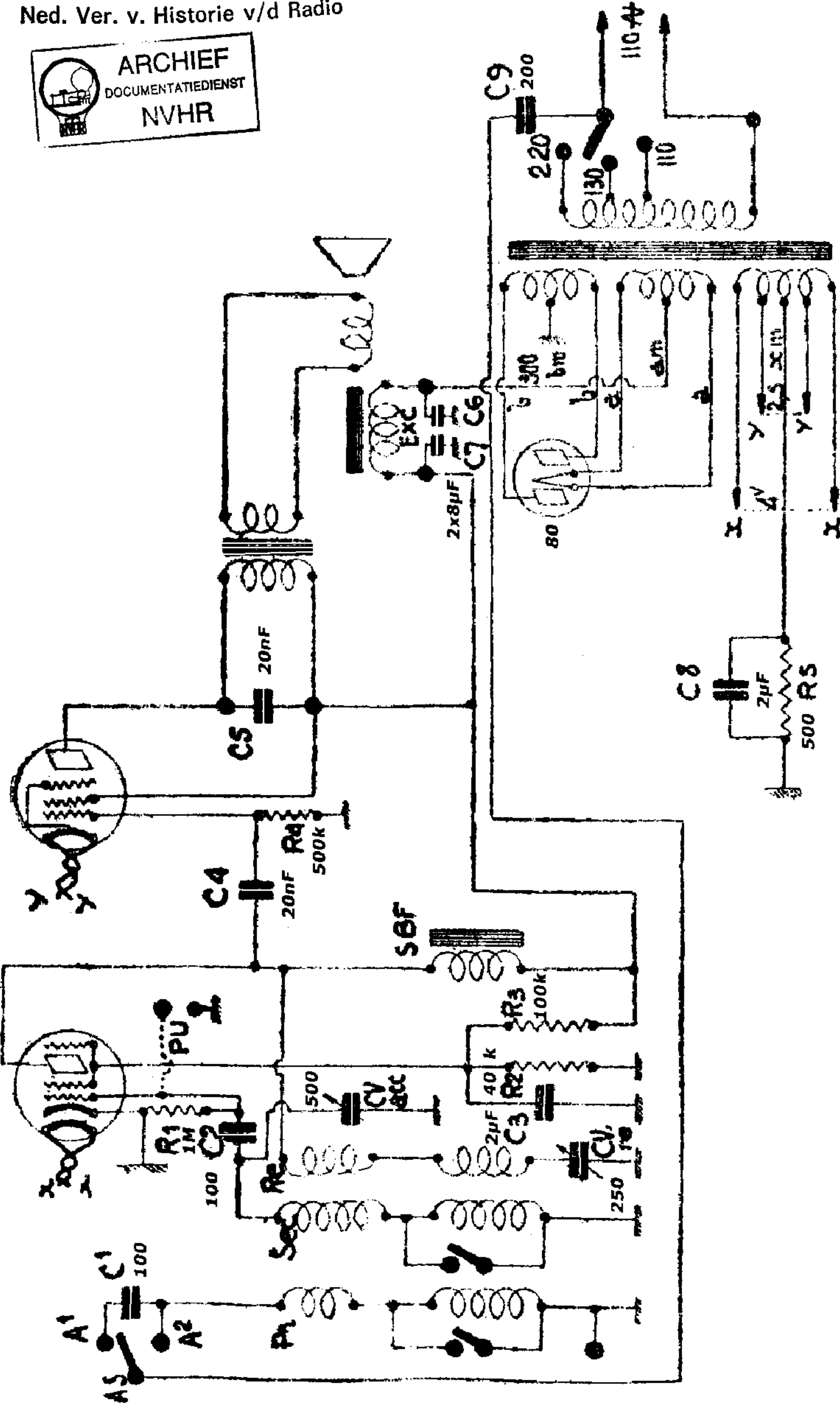


47

E452T/MS4B



C8

2μF

500 R

C9

200

110 V

220

130

110

2x8μF

20nF

C5

C4

20nF

Rq

500k

SP

80

300

R3

100k

40k

C3

2μF

R2

500

CV

acc

R2

100

C2

1M

R1

200

PU

200

A2

C1

100

A1

AS

PT

2.5V

Y

500R