

MODELS RP343 and SU343 are portable amplifiers designed to operate together in a stereo installation. Model RP343 incorporates a Collaro auto-changer with turn-over pick-up to play single channel standard and long playing records or stereo records. The amplifiers are housed in individual matching cabinets and are totally independent of each other as regards supplies, controls, etc. The Model SU343 could, if desired, be used in conjunction with a separate tape deck, radio tuner or microphone of suitable types and output.

MAINS SUPPLY : 200-250 Volts A.C. 50 c/s.

MAINS CONSUMPTION : 38 Watts (amplifier, each unit). 14 Watts (Gram motor, Model RP343).

LOUD-SPEAKER : Each instrument has a 6" PM unit having an impedance of 3 ohms at 400 c/s.

Phasing has been effected during manufacture and connections to the output transformer and loud-speaker should not be altered. Replacement loud-speakers, obtainable from Service Dept., are marked with a red spot adjacent to one terminal for correct phasing. The terminal adjacent to the red spot should be connected to the feedback terminal of the output transformer secondary.

VALVES : V1 and V2—ECL82.

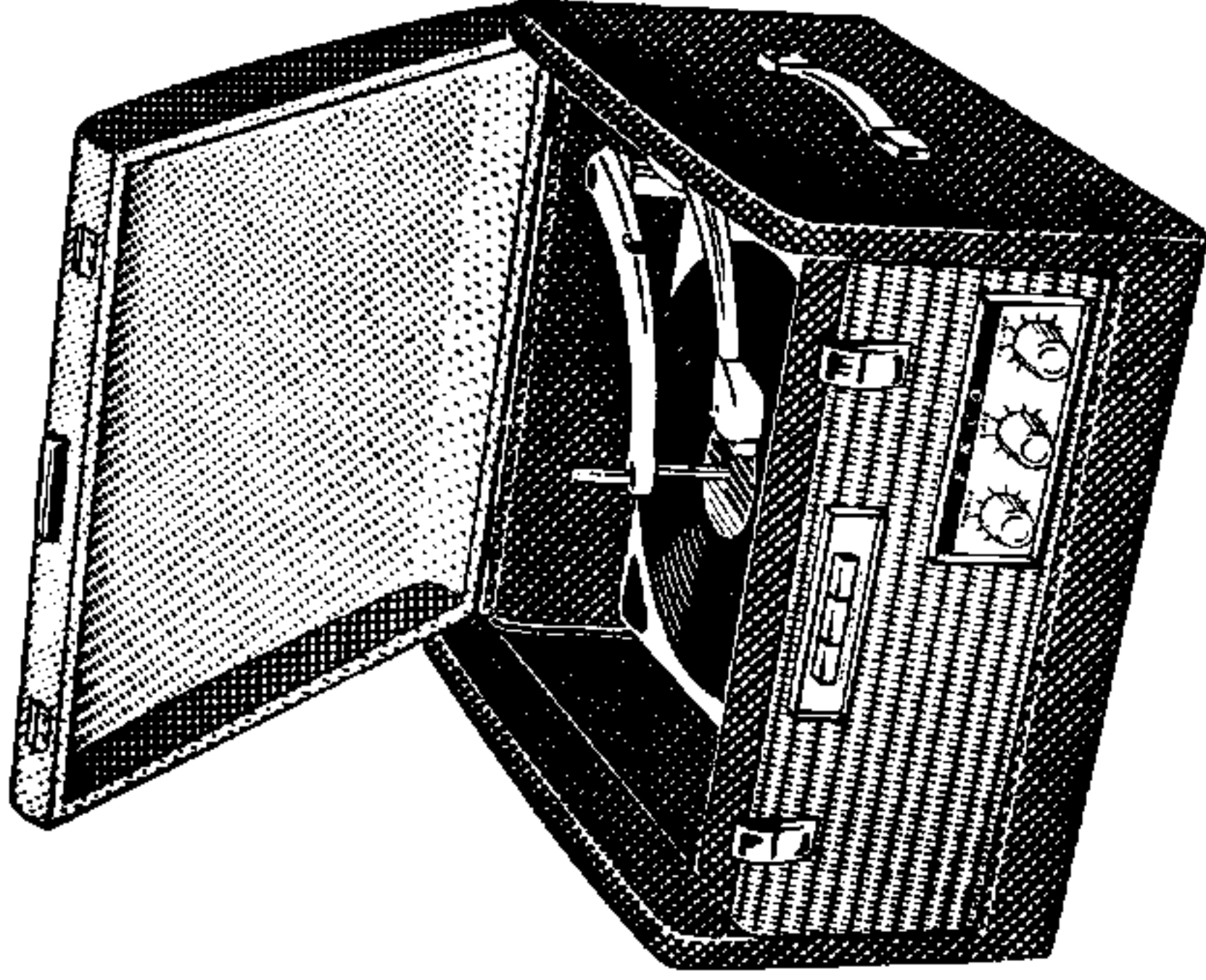
RECTIFIER : Westinghouse type ECI.

RECORD CHANGER : Collaro 'Conquest' with 'Acos' turn-over pick-up head.

CONTROLS : The three knobs on the front control panel are, from left to right : TREBLE, BASS, VOLUME ON/OFF.

Three press buttons, on the RP343 only, operate as follows :—left—STEREO, centre—SINGLE CHANNEL, right—MUTE.

CIRCUIT DESCRIPTION : Conventional push-pull amplifier circuitry is employed with the input circuit specially switched for stereo or single channel operation.



In the stereo condition SW2A, B and C are open circuit, thus the output from one side of the pick-up is taken to the RP343 input circuit, whilst the other output from the pick-up is taken via SK1 to the SU343 amplifier.

In the Mute condition, SW2B and SW2C are closed to short circuit the output from both sides of the pick-up to chassis. When the Single Channel button is pressed, SW2A closes whilst SW2B and SW2C open circuit.

Note : In a stereo installation the SU343 should be placed to the right of the record player.

CHASSIS REMOVAL : The two models differ slightly in the method of removing the chassis for servicing.

MODEL RP343 : Access to the valves and voltage adjustment panel is via the small panel, secured by two screws, between the motor board and the rear of the loud-speaker. To remove the chassis, disconnect from the mains supply, remove the small panel as above, then remove the four screws securing the motor board to the cabinet. Gently lift the front of the motor board then disconnect the motor mains leads from the tag panel at the rear of the cabinet and unsolder the pick-up leads from the terminals on the base of the auto-changer. Withdraw the changer unit then remove the three knobs (held by grub screws) from the front control panel. Slide off the felt washers from the control spindles then carefully lift off the control escutcheon. Remove two self-tapping screws through the cabinet front securing the chassis then remove two 6 BA nuts securing the switch assembly inside the cabinet. The chassis may now be turned to a convenient position on the base of the cabinet for most servicing operations to be carried out.

The transformer and chassis may be withdrawn as a complete unit. First disconnect the output leads from the loud-speaker then disconnect the mains transformer supply leads from the terminal block at the rear of the cabinet. Remove the screws securing the mains transformer to the cabinet base. The unit is then free and may be withdrawn without disturbing the leads connecting the transformer to chassis.

MODEL SU343 : Disconnect from the mains supply then remove the rear cover. This will give access to the valves and mains transformer tapping panel. Remove the control knobs (held by grub screws), slide the felt washers off the control spindles then withdraw the escutcheon. Slacken the cleats securing the various leads inside the cabinet, remove the screws securing the mains transformer to the cabinet base and also the two screws through the cabinet front securing the chassis. The amplifier and mains transformer can then be withdrawn to the extent of the loud-speaker leads.

When re-assembling both instruments it is essential to ensure that all leads are correctly cleated and that all securing screws and nuts are tight otherwise offensive rattles may result.

VALVE BASE DATA :

ECL82, B9A, 1-Gt. 2-KG3. 3-G. 4&5-H. 6-A. 7-G2. 8-Kt. 9-At.

VOLTAGE AND CURRENT DATA :

Valve	Anode		Screen		Cathode	
	Pin	V	Pin	V	Pin	V
V1A	9	58	0.5	—	8	0.17
V1B	6	228	31	175	2	13.8
V2A	9	120	0.5	—	8	50
V2B	6	228	31	175	2	13.

D.C. RESISTANCE OF WINDINGS :

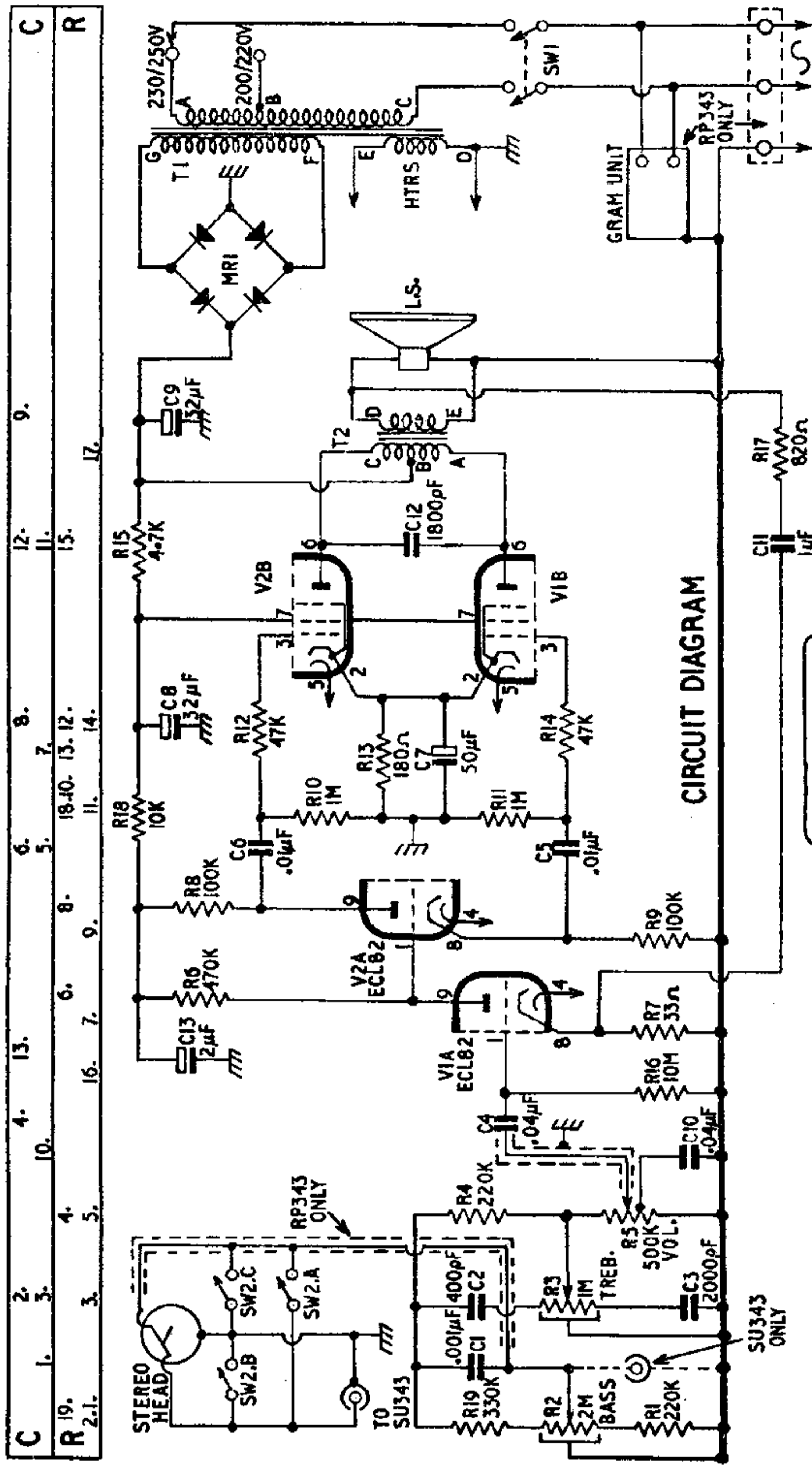
Winding	Ohms
T1 Pri.	76
" H.T. Sec.	132
T2 Pri.	400

Other windings less than 1 ohm.

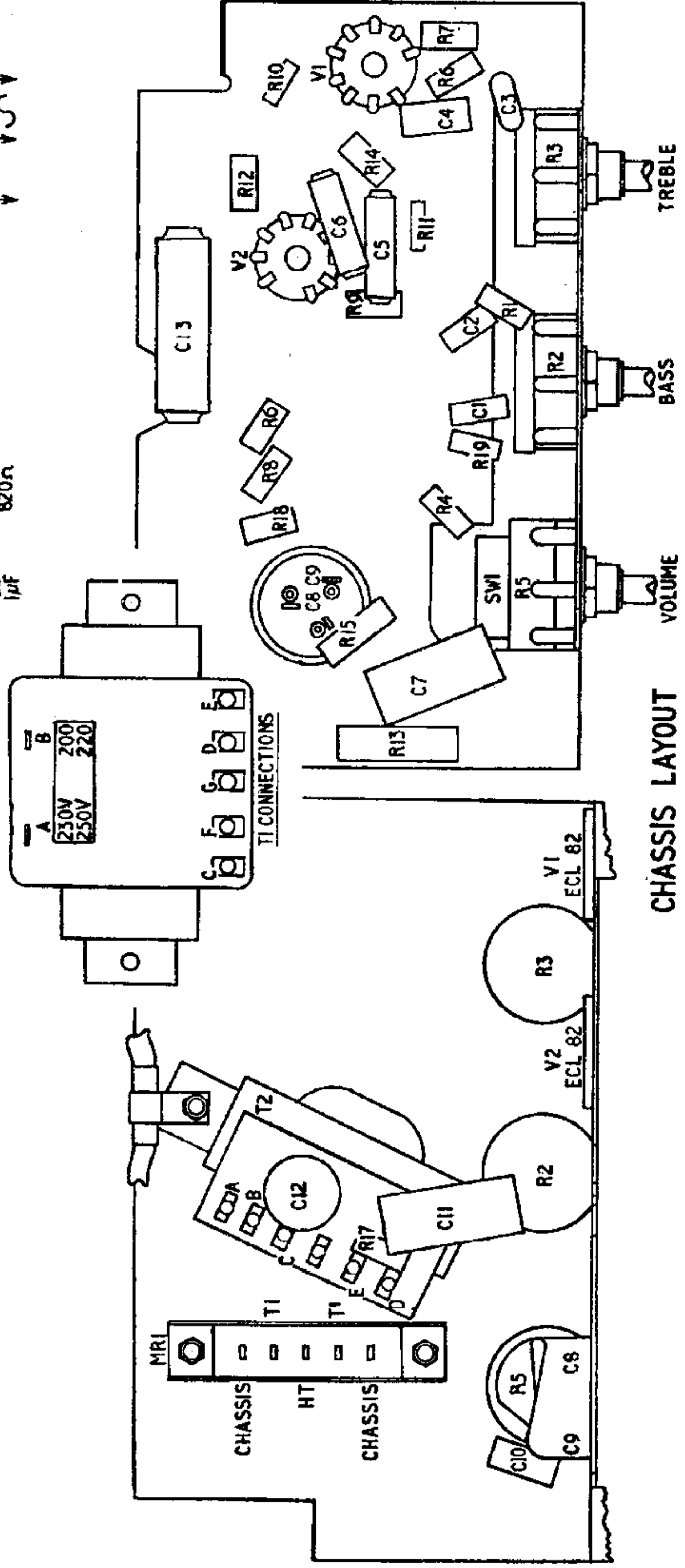
EKCO SERVICE DATA

MODELS RP343 SU343

Page 2



CIRCUIT DIAGRAM



CHASSIS LAYOUT

SERVICE DEPT., E. K. COLE Ltd.,
 Somerton Works, Arterial Road,
 Southend-on-Sea
 'Phone : Southend 42296
 Head Office : Ekco Works, Southend-on-Sea

SCOTTISH SERVICE DEPOT :
 17, Cadogan Street,
 Glasgow, C.2
 'Phone : Central 3633/4

NORTHERN SERVICE DEPOT :
 115, Jersey Street,
 Ancoats, Manchester, 4
 'Phone : Collyhurst 4421/3

MIDLAND SERVICE DEPOT :
 11, Brook Street,
 Birmingham, 3
 'Phone : Central 2505/6