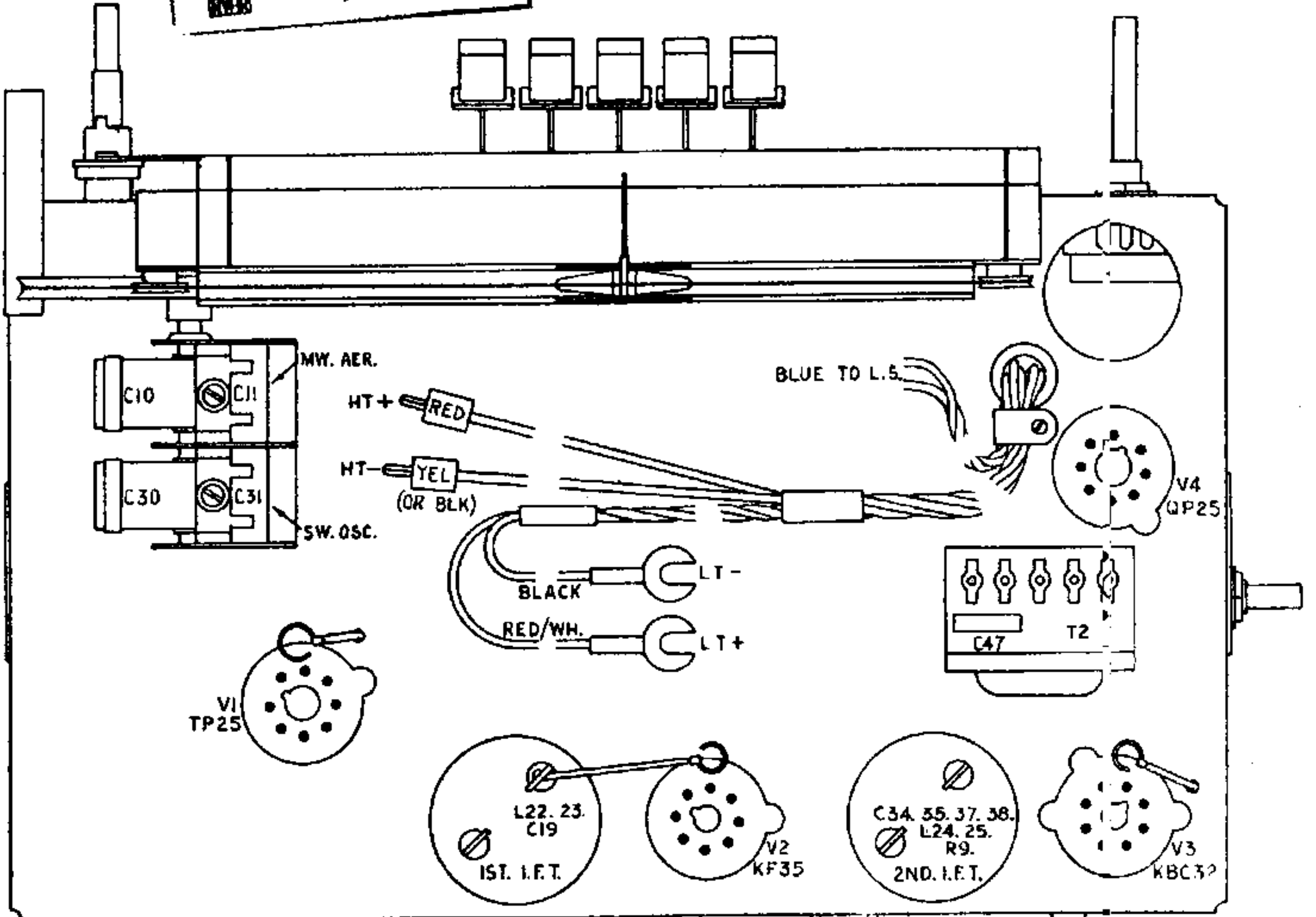
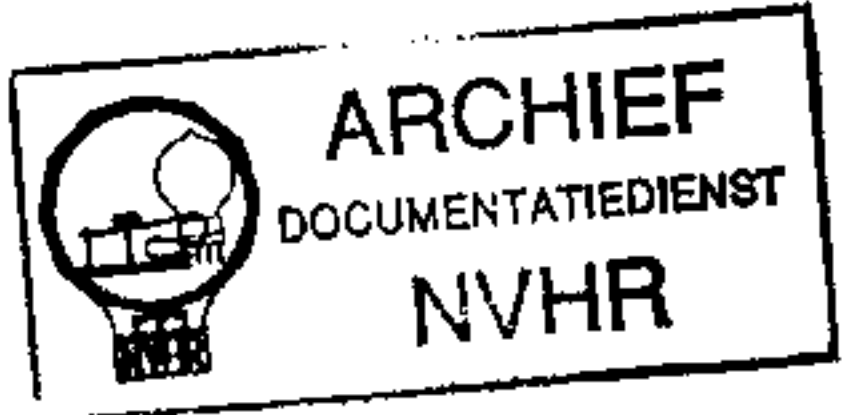
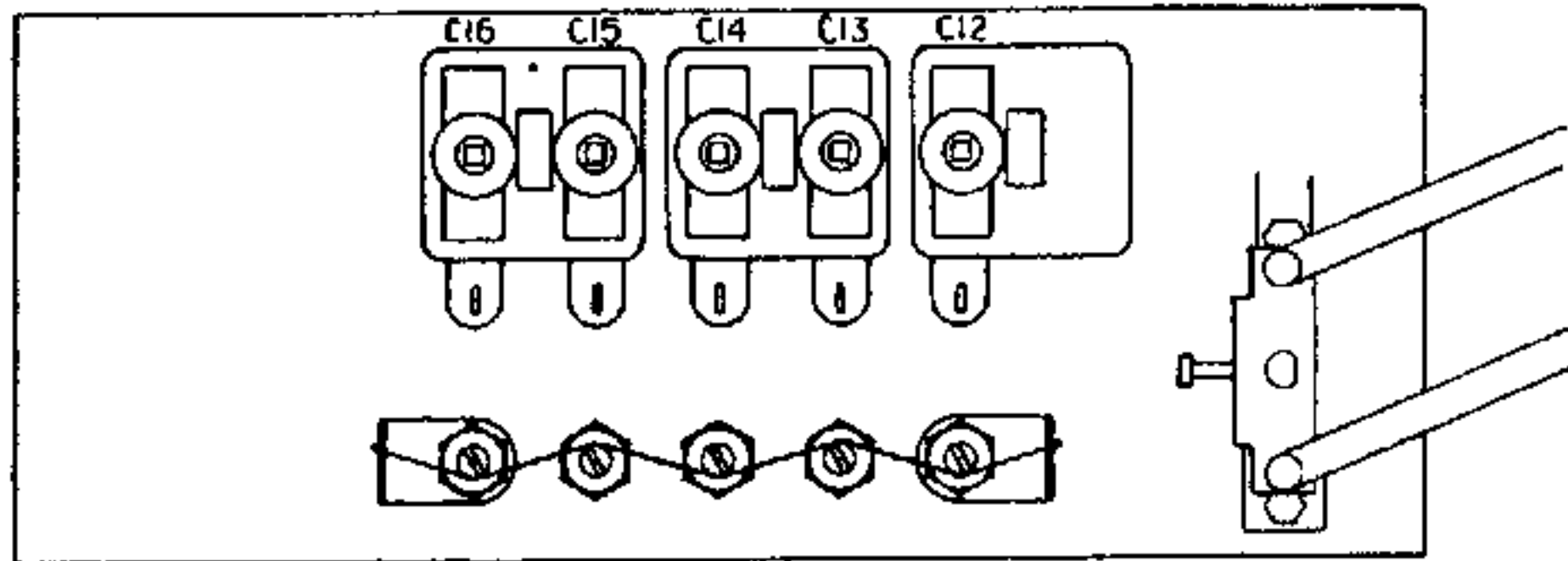
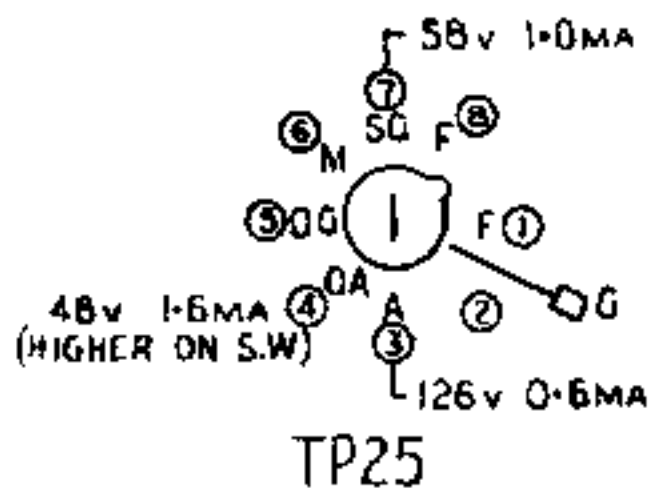


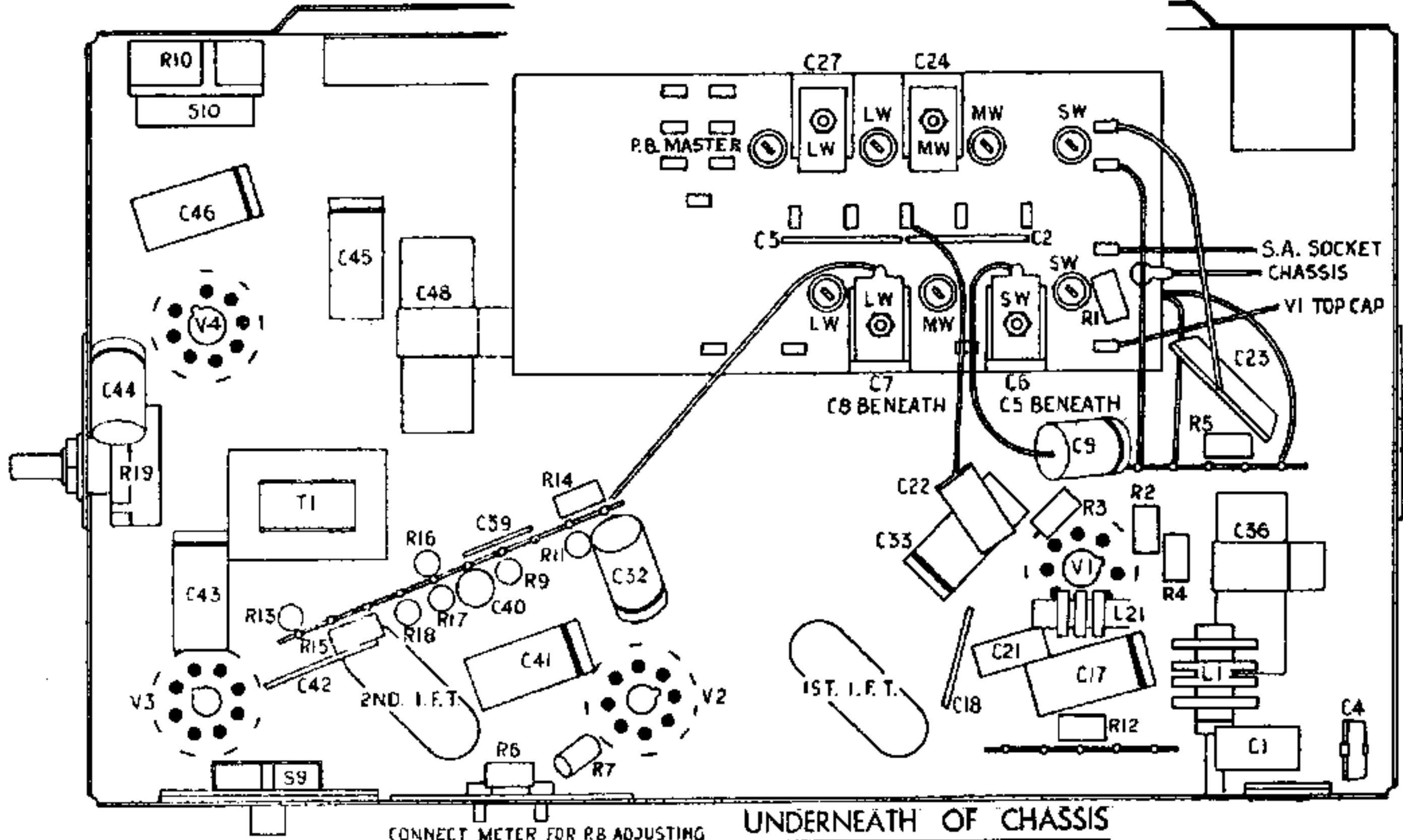
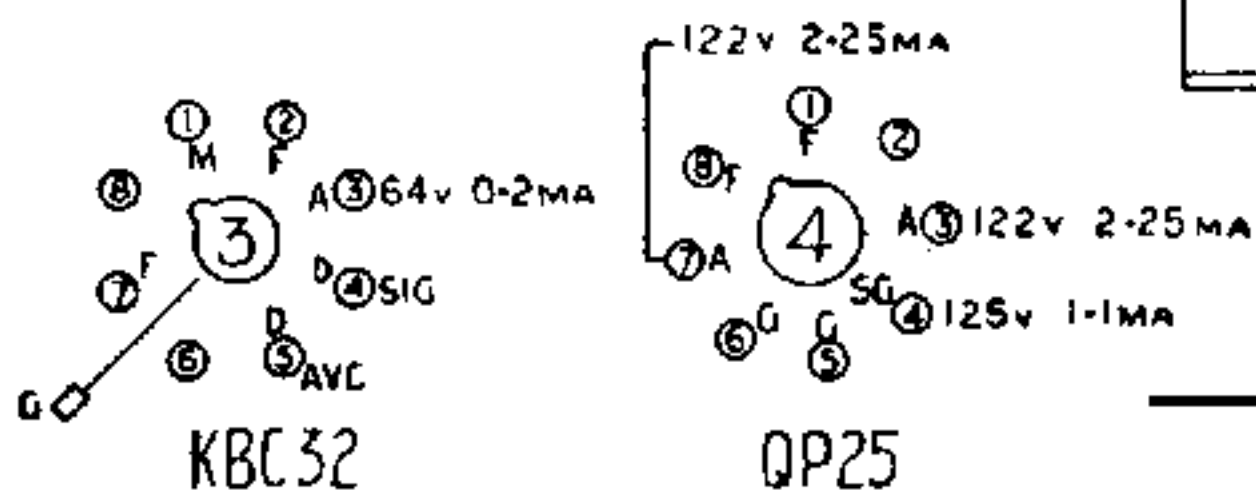
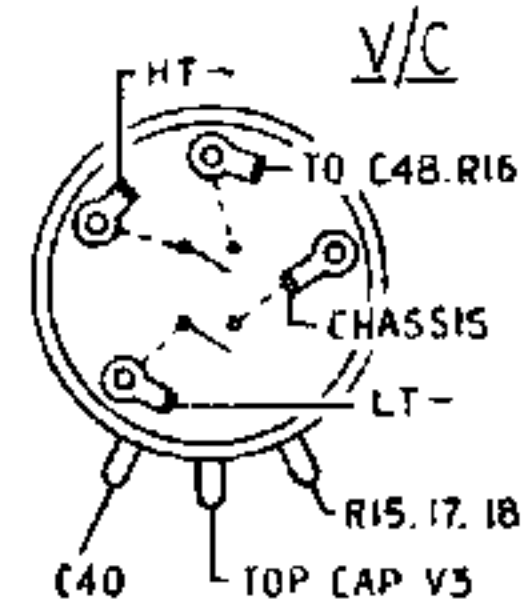
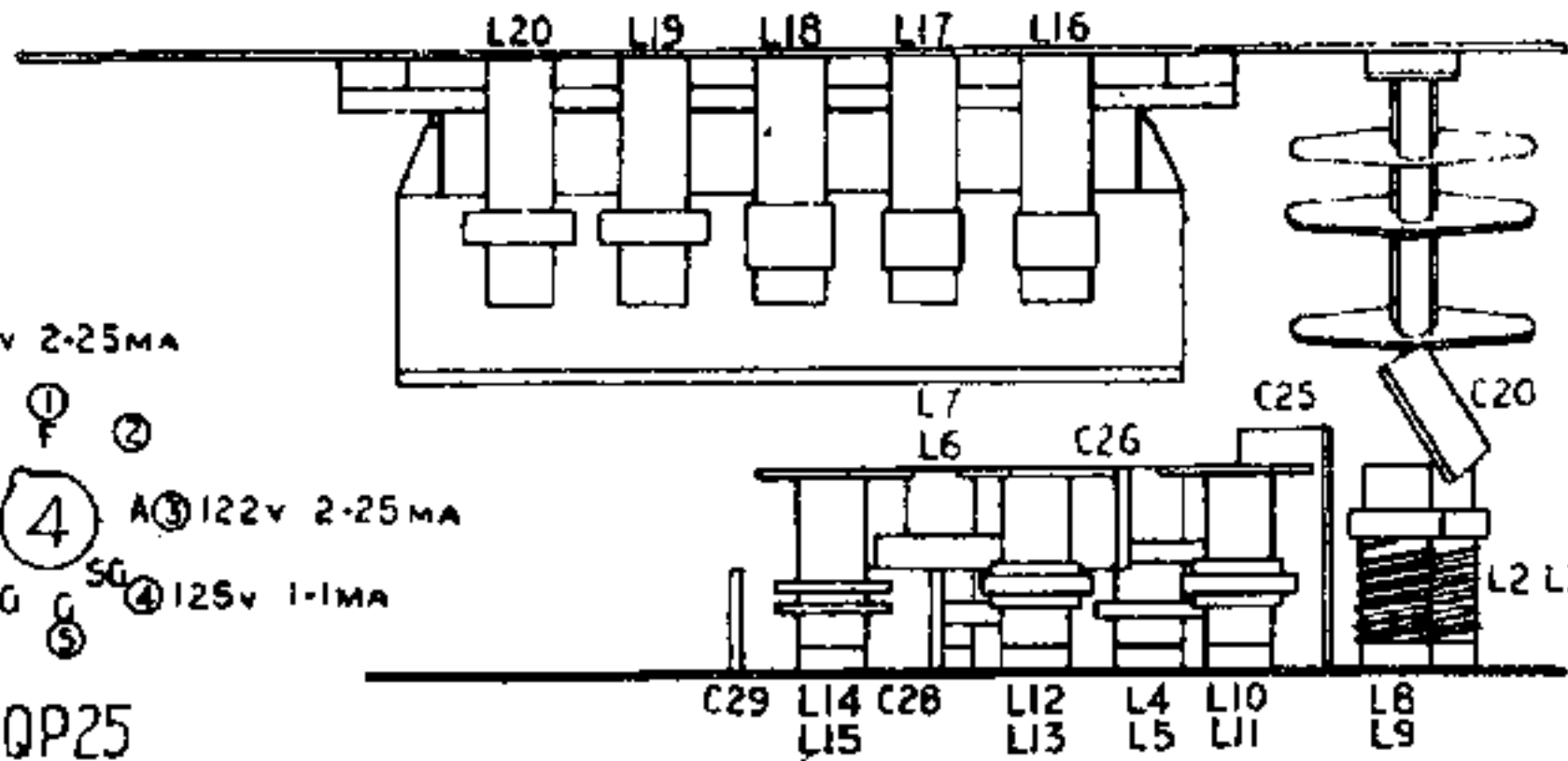
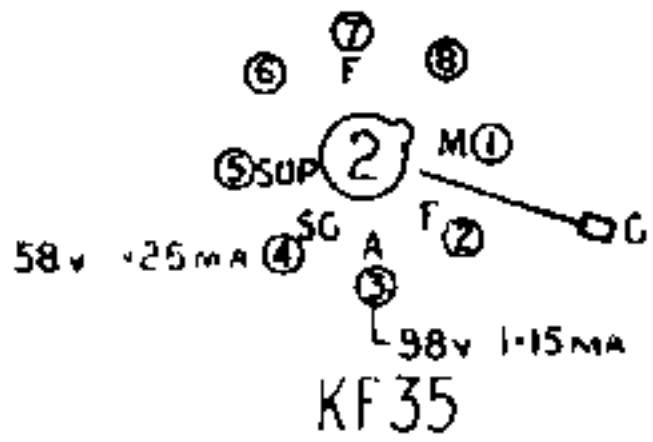
Ned. Ver. v. Historie v/d Radio



TOP VIEW OF CHASSIS



EXPANDED VIEW OF P.B. UNIT



CONNECT METER FOR PB ADJUSTING

UNDERNEATH OF CHASSIS

MODEL B25 is a 4-valve, battery operated, superheterodyne receiver with manual tuning on three wavebands, press-button control of three M.W. and two L.W. stations.

**BATTERIES:** H.T. 120-135 volts. L.T. 2 volts. No G.B. battery is required as the receiver is self-biased.

**CONSUMPTION:** H.T. 10.4 ma (at 135v.), 9ma (at 120v.). L.T. 0.5 amp.

**WAVE RANGES:** S.W. 19 metres — 50 metres.  
M.W. 200 metres — 550 metres.  
L.W. 1,000 metres — 2,000 metres.

**VALVES:** V1. Mazda TP25 Frequency Changer. V2. Mullard KF35 I.F. Amplifier. V3. Mullard KBC32 2nd Det, AVC, L.F. Amplifier. V4. Mazda QP25 L.F. Amplifier.

**INTERMEDIATE FREQUENCY:** 477 K/cs.

**SPEECH COIL IMPEDANCE:** 3 ohms at 400 c.p.s.

**CHASSIS REMOVAL:** Remove the back cover and the four control knobs. Removal of the escutcheon is not necessary. Disconnect and remove the batteries.

Remove the four 2BA base screws. Chassis can now be withdrawn to the extent of the speaker leads, which is ample for most servicing purposes.

**ALIGNMENT NOTE:** During alignment and calibration, the input from the signal generator to the receiver should be reduced to the

lowest level, consistent with a workable reading on the output meter.

**I.F. ALIGNMENT:** (1) Switch to M.W. and fully mesh the gang. (2) Connect a suitable output meter to the EXT.LS. sockets. (3) Inject a 477 K/cs. signal via a 0.1 mfd condenser to the grid (top cap) of V1. (4) Adjust the 2nd I.F.T. upper and lower cores, then the 1st I.F.T. upper and lower cores for maximum output.

**I.F. FILTER ADJUSTMENT:** Remove the 0.1 mfd condenser and inject the 477 K/cs. into the A and E sockets, then adjust L1 core for lowest meter reading.

**POINTER SETTING:** When the gang is fully meshed, the pointer should coincide with the small lines terminating the low frequency ends of all three wave-bands. A slight error can be corrected by loosening the grub screws on the four-inch drive wheel and, with the gang held steady, rotating the drive until the pointer is correct. Tighten up the grub screws. A large error, half an inch or more, will mean refitting the drivecord as diagram, with the cursor tied at the mid-point of the cord.

**CALIBRATION:** Switch to S.W.

Adjust S.W. Osc. trimmer C31 at 20m, then adjust S.W. Osc. core at 50m. (When these are correctly adjusted, the 20m image should appear at 21.4 m.) Switch to M.W.

Adjust M.W. Osc. trimmer C24 at 250m, then adjust M.W. Osc. core at 500m.

Adjust M.W. Aer. trimmer C11 at 250m, then adjust M.W. Osc. core at 500m.

Switch back to S.W.

Adjust S.W. Aer. trimmer C6 at 20m, then adjust S.W. Aer. core at 50m.

Switch to L.W.

Adjust L.W. Osc. trimmer C27 at 1,300m, then adjust L.W. Osc. core at 1,700m.

Adjust L.W. Aer. trimmer C7 at 1,300m, then adjust L.W. Aer. core at 1,700m.

**BUTTON SETTING:** Remove the escutcheon. Switch to P.B. (White). Band coverage for each button (from left to right) is:

Button 1 (L.W.) 1,430 — 1,986 metres.

Button 2 (L.W.) 1,160 — 1,640 metres.

Button 3 (M.W.) 342 — 560 metres.

Button 4 (M.W.) 267 — 450 metres.

Button 5 (M.W.) 200 — 308 metres.

Tune in the new station by adjusting osc. shunt inductance (lower key) then increase strength by resonating grid shunt capacity (upper key). Slide in new station-name card.

**NOTE:** For accurate button setting, a 0.2 ma DC meter or a high resistance 0.2 v. meter can be connected to the two studs (across R6) projecting at the rear of the chassis. Tune for lowest reading.

lowest level, consistent with a workable reading on the output meter.

**I.F. ALIGNMENT:** (1) Switch to M.W. and fully mesh the gang. (2) Connect a suitable output meter to the EXT.LS. sockets. (3) Inject a 477 K/cs. signal via a 0.1 mfd condenser to the grid (top cap) of V1. (4) Adjust the 2nd I.F.T. upper and lower cores, then the 1st I.F.T. upper and lower cores for maximum output.

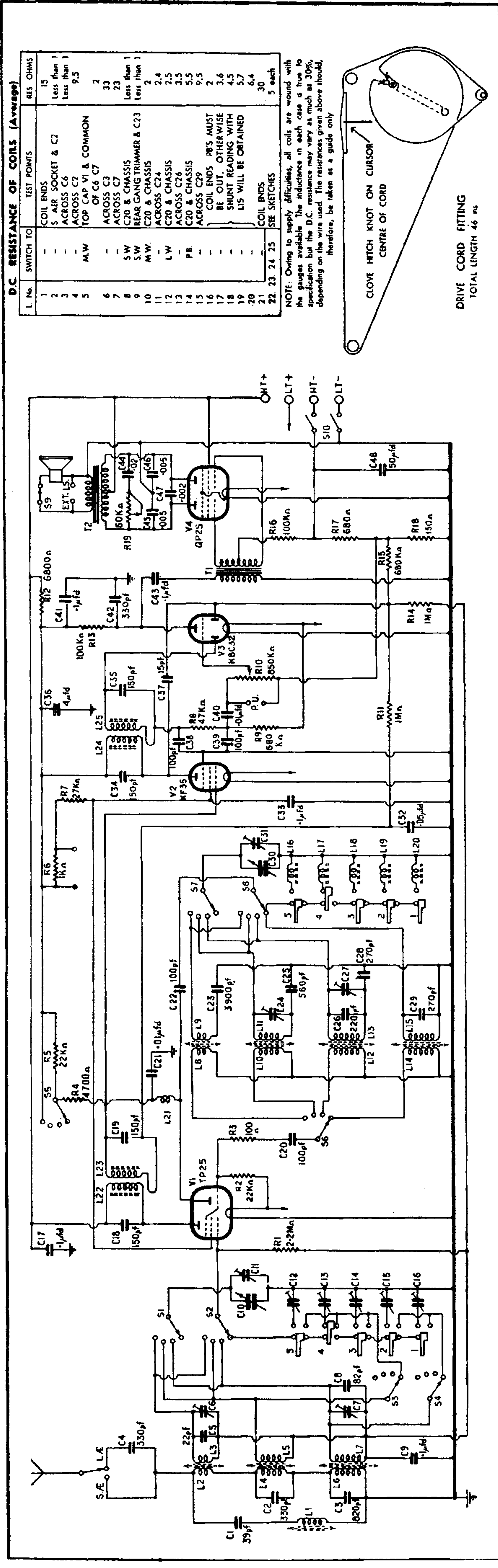
**I.F. FILTER ADJUSTMENT:** Remove the 0.1 mfd condenser and inject the 477 K/cs. into the A and E sockets, then adjust L1 core for lowest meter reading.

**POINTER SETTING:** When the gang is fully meshed, the pointer should coincide with the small lines terminating the low frequency ends of all three wave-bands. A slight error can be corrected by loosening the grub screws on the four-inch drive wheel and, with the gang held steady, rotating the drive until the pointer is correct. Tighten up the grub screws. A large error, half an inch or more, will mean refitting the drivecord as diagram, with the cursor tied at the mid-point of the cord.

**CALIBRATION:** Switch to S.W.

Adjust S.W. Osc. trimmer C31 at 20m, then adjust S.W. Osc. core at 50m. (When these are correctly adjusted, the 20m image should appear at 21.4 m.) Switch to M.W.

Adjust M.W. Osc. trimmer C24 at 250m, then adjust M.W. Osc. core at 500m.



**SERVICE DEPT., E. K. COLE Ltd.,**  
Somerton Works, Arterial Road, Southend-on-Sea.  
'Phone: Southend 2296  
Head Office: Ekco Works. Southend-on-Sea

**SCOTTISH SERVICE DEPOT:**  
25, Cadogan Street, Glasgow, C.2.  
'Phone: Central 5357/8/9.

**NORTHERN SERVICE DEPOT:**  
55, Whitworth Street, Manchester.  
'Phone: Central 6711/2.

**WESTERN SERVICE DEPOT:**  
14, Redcross Street, Bristol.  
'Phone: Bristol 26311.