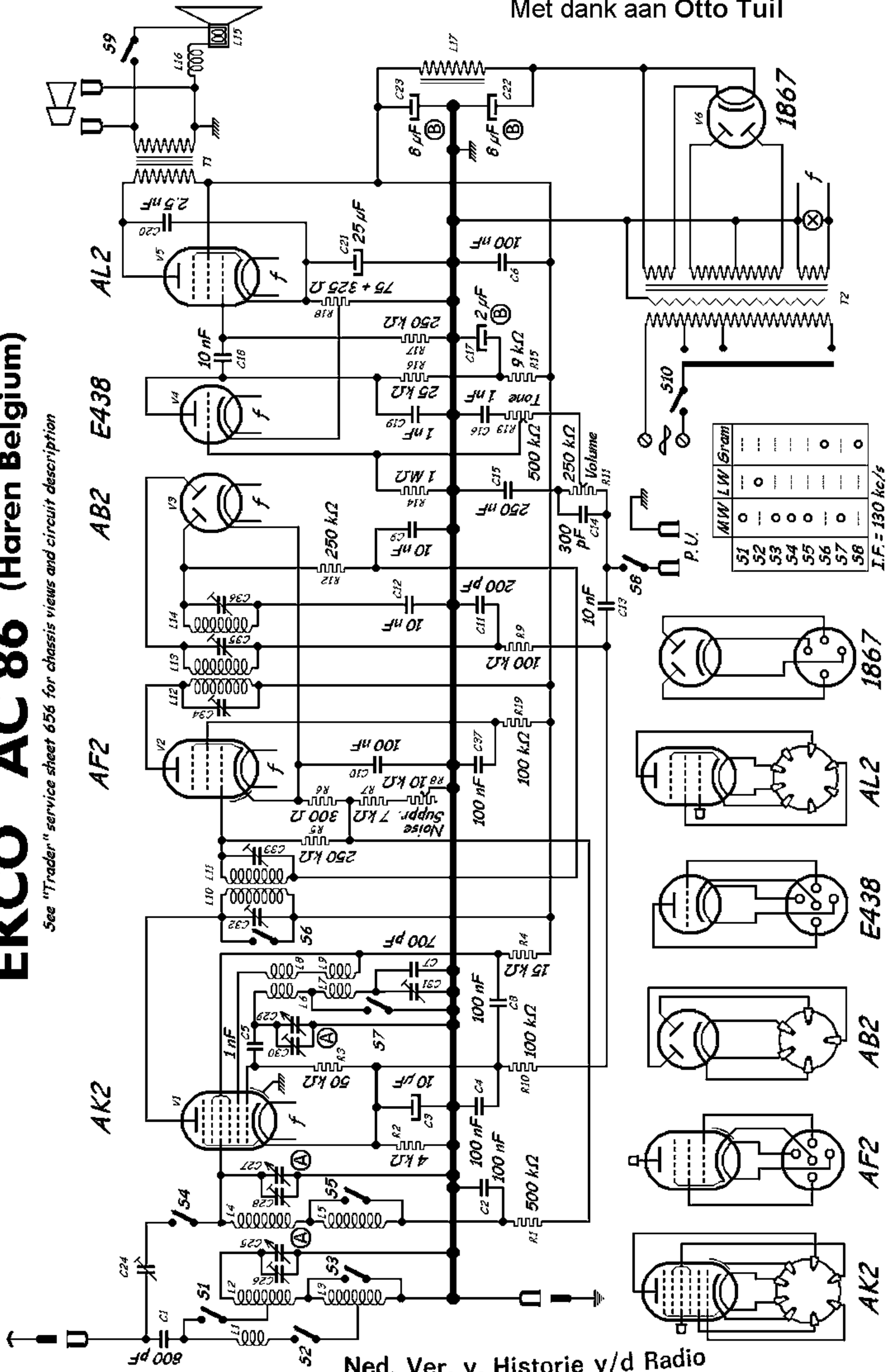


# EKCO AC 86 (Haren Belgium)

See "Trader" service sheet 656 for chassis views and circuit description

Met dank aan Otto Tuil



MW	LW	Gram
51	0	0
52	0	0
53	0	0
54	0	0
55	0	0
56	0	0
57	0	0
58	0	0

I.F. = 130 kc/s

# ECKO AC 86

AK2

AF3

AB2

AL3

