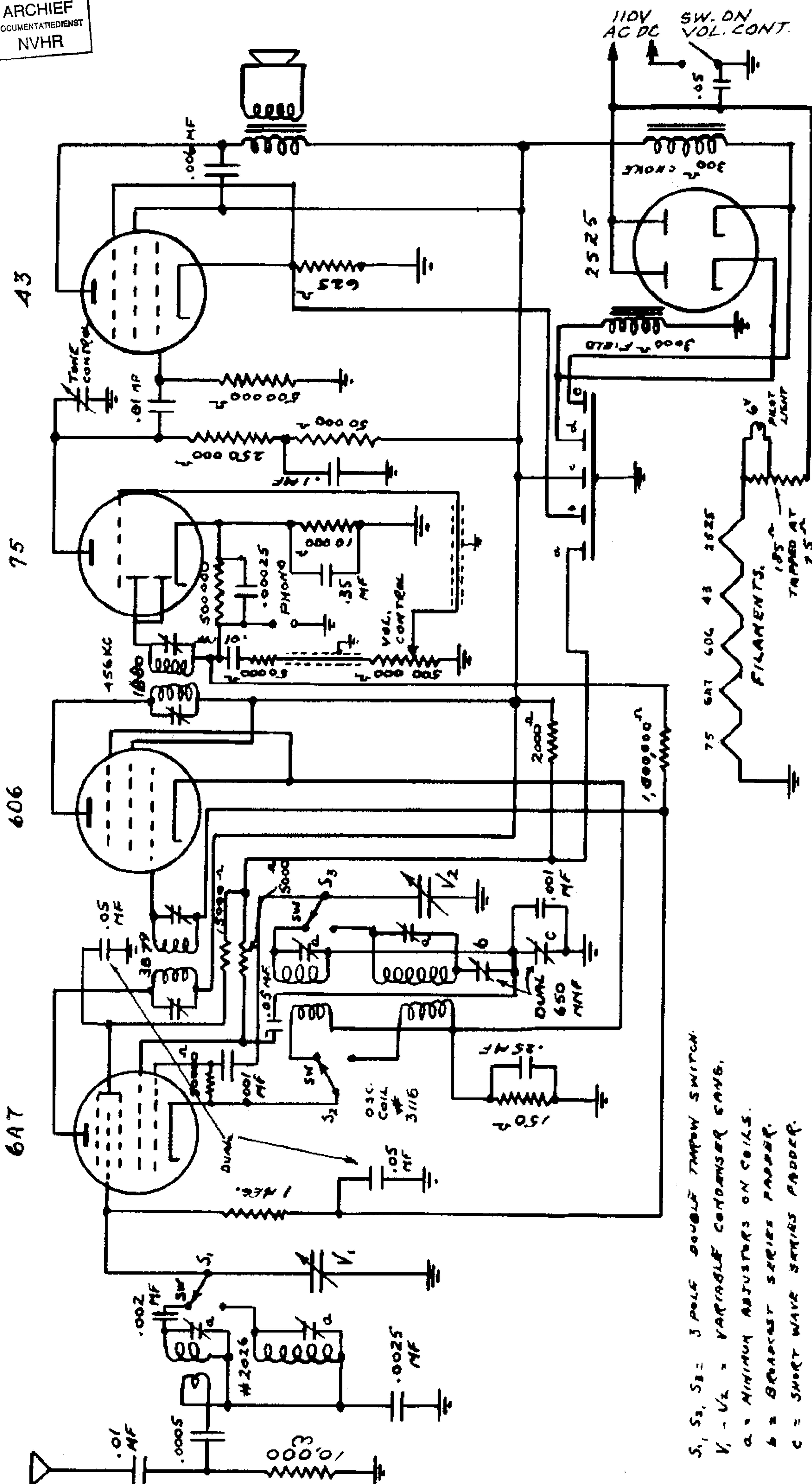


Ned. Ver. v. Historie v/d Radio

EDISON-BELL CO., INC.

MODEL 55 AW  
Schematic



IF PEAK 456 KC.

S<sub>1</sub>, S<sub>2</sub>, S<sub>3</sub> = 3-POLE DOUBLE THROW SWITCH.  
 V<sub>1</sub> - V<sub>2</sub> = VARIABLE CONDENSER GANG.  
 a = MINIMUM ADJUSTERS ON COILS.  
 b = BROADCAST SERIES PAPER.  
 c = SHORT WAVE SERIES PAPER.

CONDENSER BLOCK:  
 a = 2 MF 100 VOLT (GREEN)  
 b = 4 MF 25 VOLT (RED)  
 c = 16 MF 100 VOLT (YELLOW)  
 d = 4 MF 100 VOLT (BLUE)  
 e = 16 MF 100 VOLT (YELLOW)