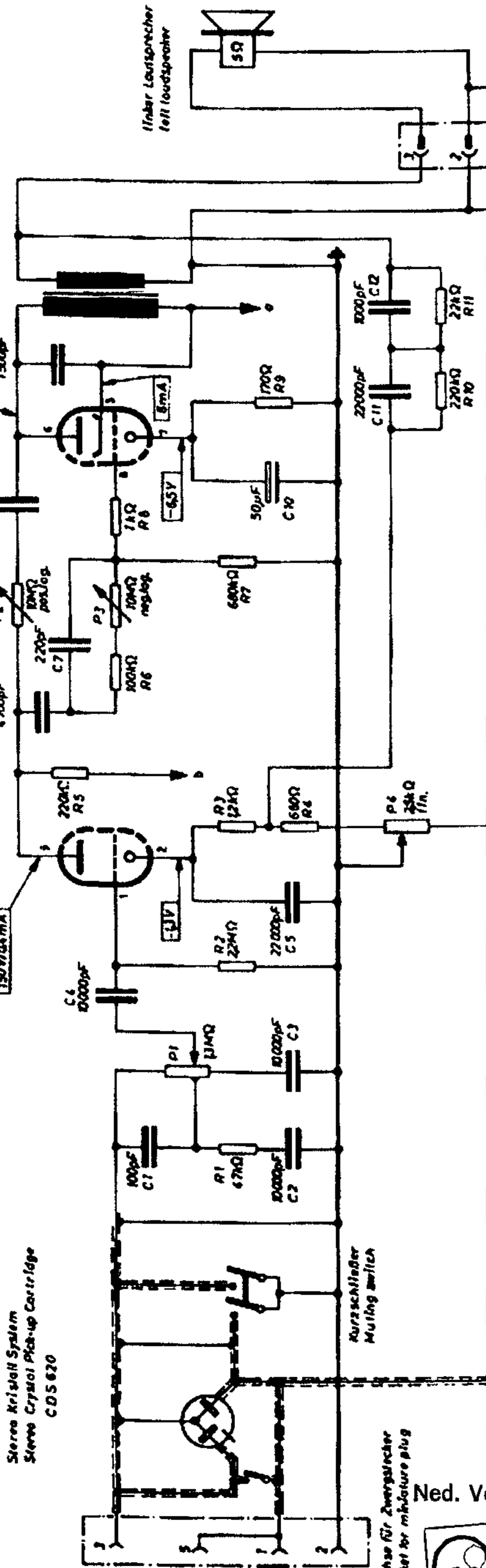
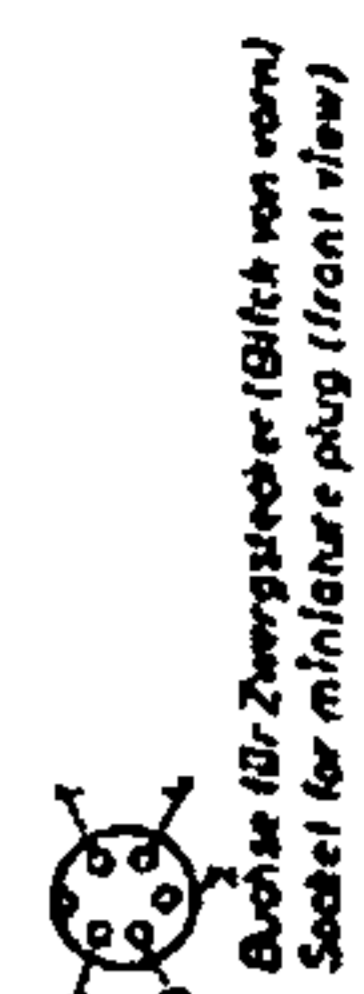
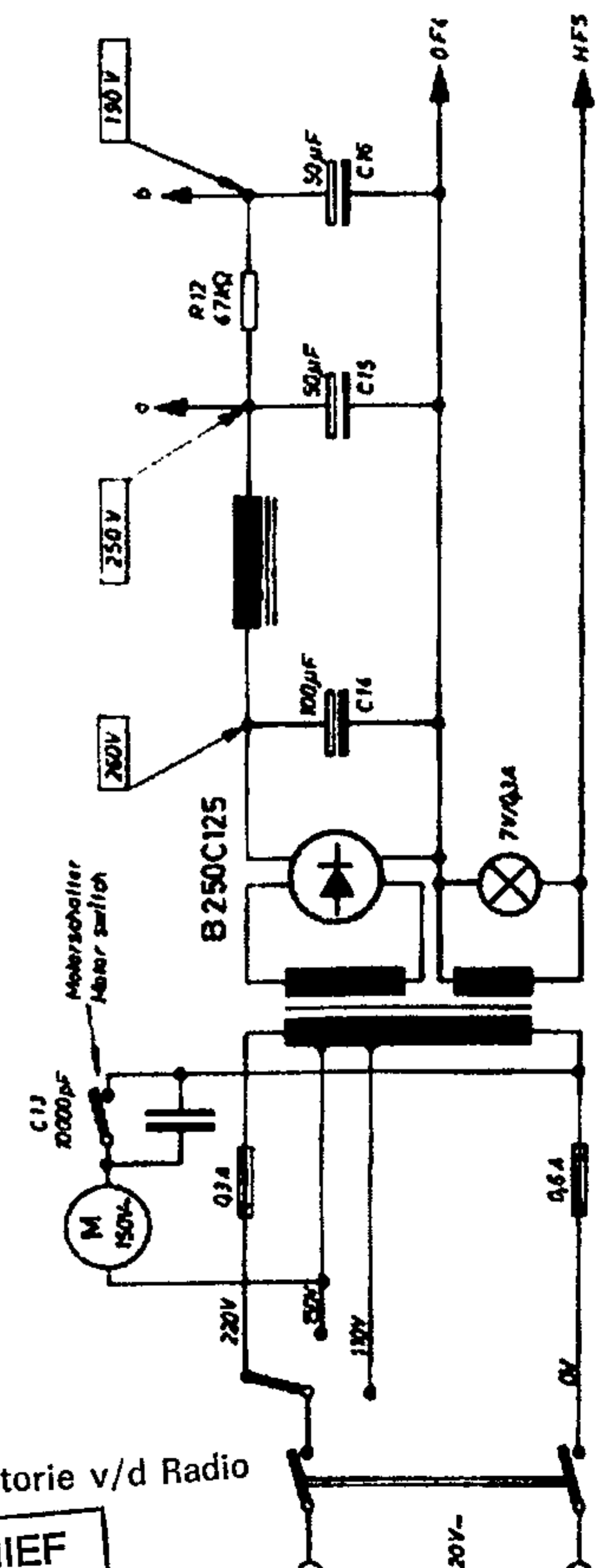


ECL 86

Stereo Kristall System  
Stereo Crystal Pick-up Cartridge  
CDS 620



linker Kanal ÷ rechter Kanal



Spannungen gemessen mit Röhrenvoltmeter (R) (5MΩ)  
 Ströme " " Multivolt II (333Ω/V)  
 Voltages measured with valve voltmeter (R) (5MΩ)  
 Currents " " Multivolt II (333Ω/V)

Buchse für Zwingstecker  
Socket for miniature plug

Ned. Ver. v. Historie v/d Radio

