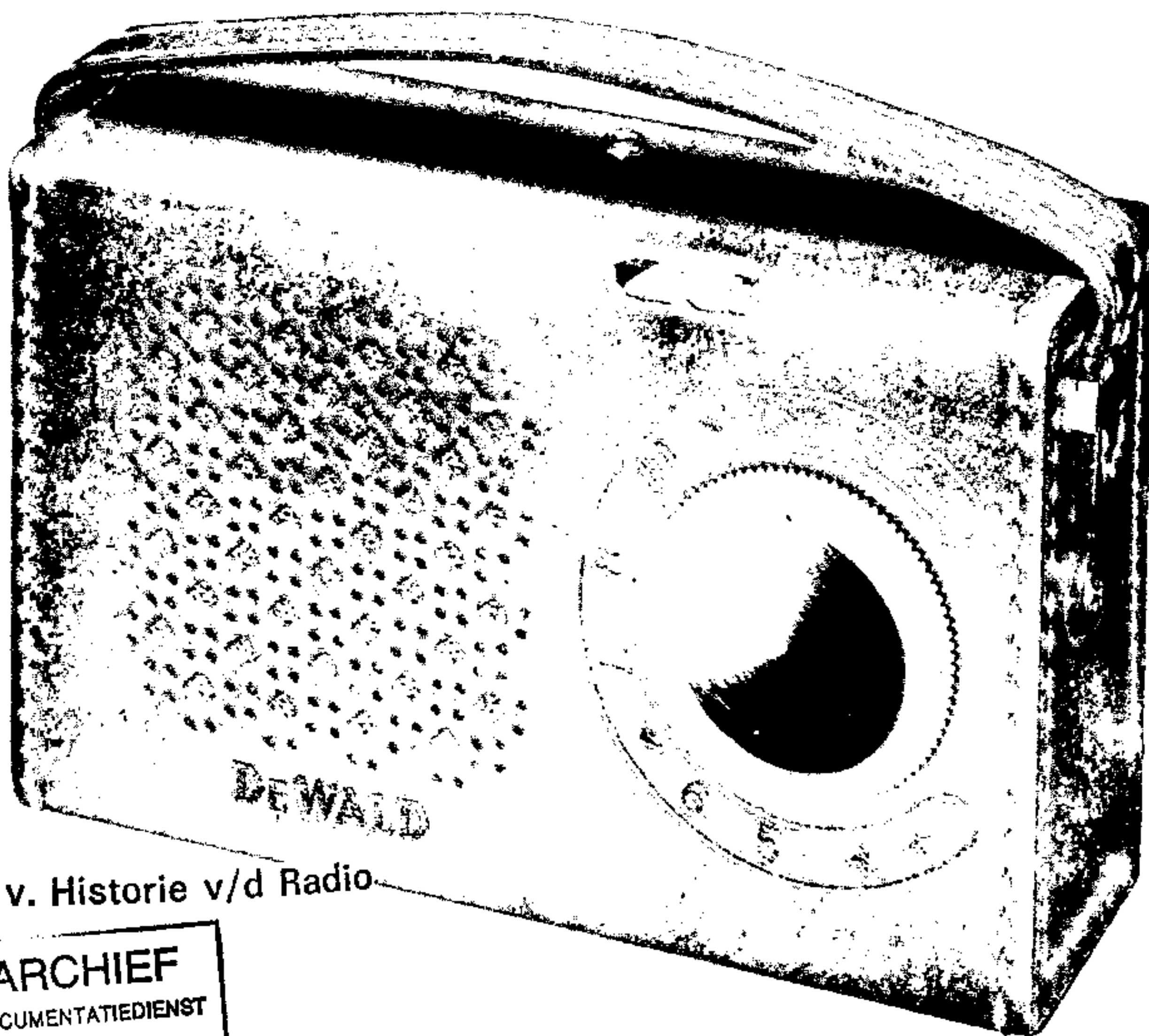
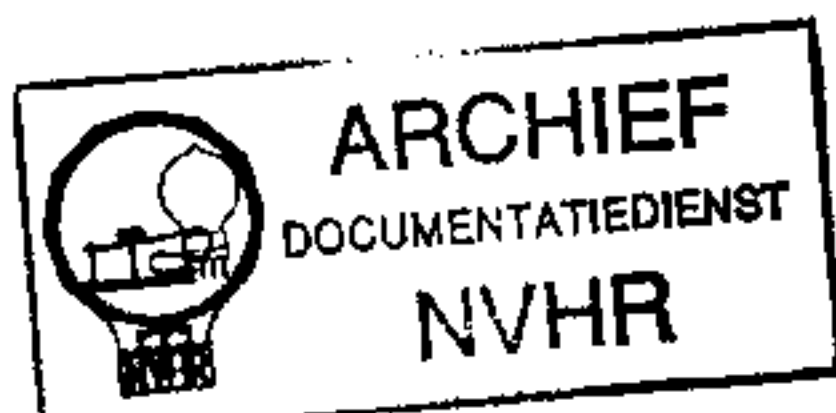




Met dank aan Jef Bos



Ned. Ver. v. Historie v/d Radio



TRADE NAME Dewald Model K-544
 MANUFACTURER Dewald Radio Mfg. Corp., 35-15 37th Ave., Long Island City 1, N. Y.
 TYPE SET Battery Operated Portable AM Transistorized Receiver

POWER SUPPLY 9 Volts DC RATING 14MA @ 9 Volts DC
 TUNING RANGE—BROADCAST 540KC - 1650KC

ALIGNMENT INSTRUCTIONS—READ CAREFULLY BEFORE ATTEMPTING ALIGNMENT

Volume control should be at maximum position. Output of signal generator should be no higher than necessary to obtain an output reading. Use an insulated alignment screwdriver for adjusting.

DUMMY ANTENNA	SIGNAL GENERATOR COUPLING	SIGNAL GENERATOR FREQUENCY	RADIO DIAL SETTING	OUTPUT METER	ADJUST	REMARKS
1. .1MFD	High side to antenna lug on tuning gang. Low side to chassis.	455KC (400v Mod)	Tuning gang fully open.	Across voice coll.	A1, A2	Adjust for maximum output.
2.	Loop	1650KC	"	"	A3	Fashion loop of several turns of wire and radiate signal into loop of receiver. Adjust for maximum output.
3.	"	1400KC	Tune to 1400KC signal.	"	A4	"
4.	"	540KC	Tuning gang fully closed.	"	A5	Adjust for maximum output while rocking tuning gang.

HOWARD W. SAMS & CO., INC. • Indianapolis 5, Indiana

"The listing of any available replacement part herein does not constitute in any case a recommendation, warranty or guaranty by Howard W. Sams & Co., Inc., as to the quality and suitability of such replacement part. The numbers of these parts have been compiled from information furnished to Howard W. Sams & Co., Inc., by the manufacturers of the particular type of replacement part listed."
 "Reproduction or use, without express permission, of editorial or pictorial content, in any manner, is prohibited. No patent liability is assumed with respect to the use of the information contained herein. Copyright 1957 by Howard W. Sams & Co., Inc., Indianapolis 5, Indiana, U. S. of America. Copyright under international Copyright Union. All rights reserved under Inter-American Copyright Union (1910) by Howard W. Sams & Co., Inc." Printed in U. S. of America

G660

PARTS LIST AND DESCRIPTIONS

TRANSISTORS

ITEM No.	USE	TYPE	NOTES
X1	Converter	2N112	Note 1
X2	IF Amplifier	2N112-A	Note 2

ITEM No.	USE	TYPE	NOTES
X3	AF Amplifier	2N132	
X4	Output	2N138	

Note 1: Type CK-760 may be used in some versions.

Note 2: Type CK-760-A may be used in some versions.

ELECTROLYTIC CAPACITORS

ITEM No.	RATING		REPLACEMENT DATA						
	CAP.	VOLT.	DEWALD PART No.	AEROVOX PART No.	CORNELL-DUBILIER PART No.	MALLORY PART No.	PYRAMID PART No.	SANGAMO PART No.	SPRAGUE PART No.
C1	50	10		XPPI0V50	NL50-10		ML40-15		R2305*
C2	8	3		XPPI5V10		TAP30-8	ML8-6		TE-1086
C3	6	3		XPP3V6	NL6-3	TAW4A6	ML6-6		TE-1084
C4	50	3		SRE3V50	NL50-3		ML50-3	MMT-350	TE-1057
C5	6	3		XPP3V6	NL6-3	TAW4A6	ML8-6		TE-1084

* Non catalog item.

FIXED CAPACITORS

Capacity values given in the rating column are in mfd. for Paper Capacitors, and in mmfd. for Mica and Ceramic Capacitors.

ITEM No.	RATING		REPLACEMENT DATA						NOTES
	CAP.	VOLT	DEWALD PART No.	AEROVOX PART No.	CENTRALAB PART No.	CORNELL-DUBILIER PART No.	ERIE PART No.	MALLORY PART No.	
C6	20000			BPD-02	DD-203	K085	ED-02		5HK-S2
C7	10000			BPD-01	DD-103	K082	ED-01	DC511	5HK-S1
C8	20000			BPD-02	DD-203	K085	ED-02		5HK-S2
C9	4.7			NP0-S14.7	TCZ-4R7	TZ07	TCO-4.7	ZT-5547	5TCCB-V47
C10	20000			BPD-02	DD-203	K085	ED-02		5HK-S2
C11	20000			BPD-02	DD-203	K085	ED-02		5HK-S2
C12	10000			BPD-01	DD-103	K082	ED-01	DC511	5HK-S1
C13	5000			BPD-005	DD-502	K080	ED-005	DC525	5HK-D5
C14	10000			BPD-01	DD-103	K082	ED-01	DC511	5HK-S1

Note 1: Not used in some versions.

CONTROLS

ITEM No.	RATING		REPLACEMENT DATA					INSTALLATION NOTES
	RESISTANCE	WATTS	DEWALD PART No.	CENTRALAB PART No.	CLAROSTAT PART No.	IRC PART No.	MALLORY PART No.	
R1	10K	1/2	V311-1					Volume & Switch

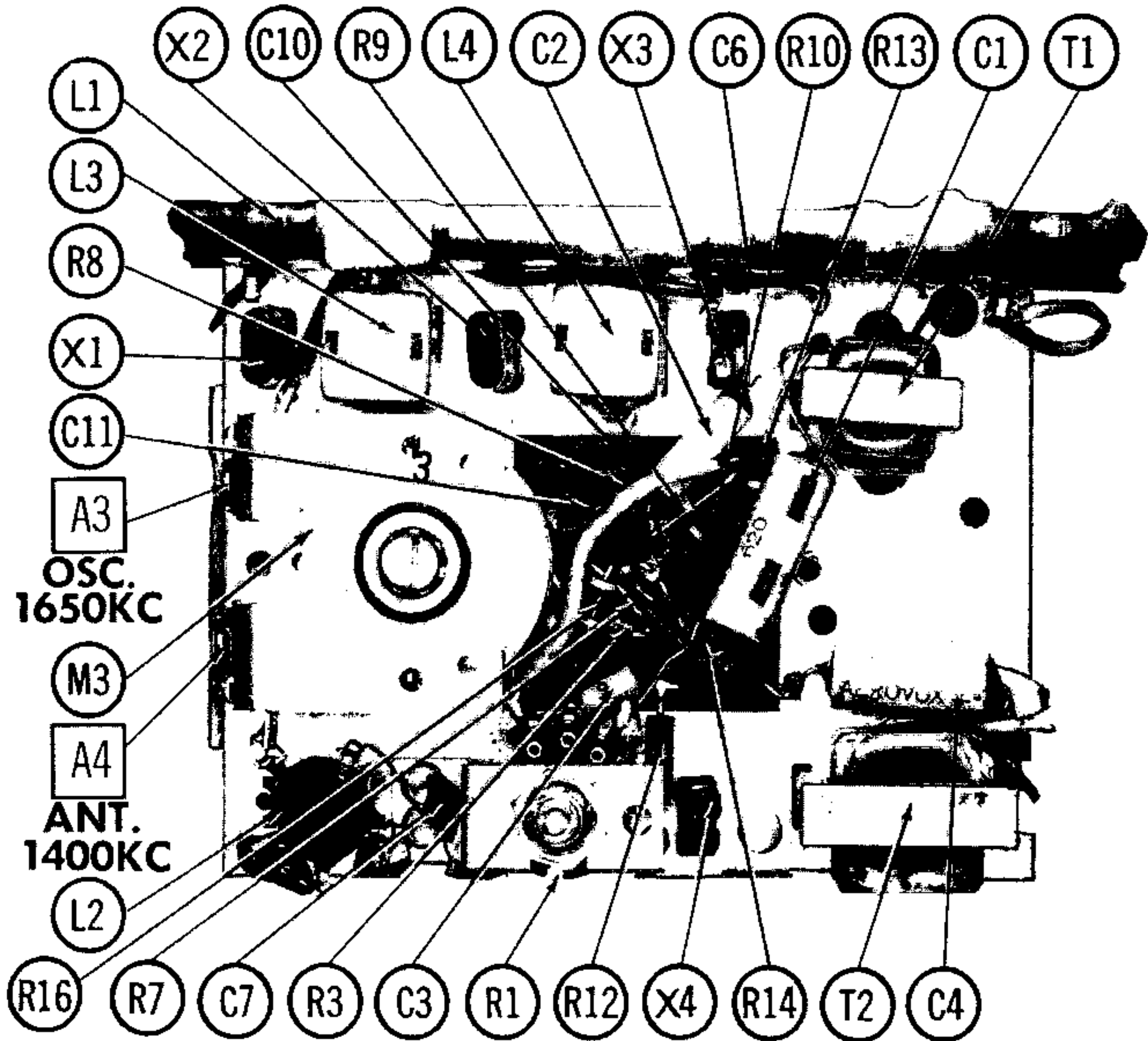
RESISTORS

All wattages 1/2 watt, or less, unless otherwise listed.

ITEM No.	RATING		REPLACEMENT DATA		NOTES
	OHMS	WATT	DEWALD PART No.	IRC PART No.	
R2	16K			BTS-16K	
R3	33K			BTS-33K	
R4	4700Ω			BTS-4700	
R5	1000Ω			BTS-1000	
R6	1000Ω			BTS-1000	
R7	1000Ω			BTS-1000	
R8	1000Ω			BTS-1000	
R9	10K			BTS-10K	

ITEM No.	RATING		REPLACEMENT DATA		NOTES
	OHMS	WATT	DEWALD PART No.	IRC PART No.	
R10	150K			BTS-150K	
R11	27K			BTS-27K	
R12	4700Ω			BTS-4700	
R13	1000Ω			BTS-1000	
R14	4300Ω	5%		BTS-4300 5%	
R15	660Ω			BTS-660	
R16	470Ω			BTS-470	
R17	82Ω			BTS-82	

CHASSIS—TOP VIEW



PARTS LIST AND DESCRIPTIONS (Continued)

TRANSFORMER (DRIVER)

ITEM No.	RESISTANCE		REPLACEMENT DATA					NOTES
	PRI.	SEC.	DEWALD PART No.	Halldorson PART No.	Merit PART No.	Stancor PART No.	Thordarson PART No.	
T1	865Ω	120Ω	T135A-1				TR-13	
	Turns Ratio 4:1							

TRANSFORMER (AUDIO OUTPUT)

ITEM No.	IMPEDANCE		REPLACEMENT DATA					NOTES
	PRI.	SEC.	DEWALD PART No.	Halldorson PART No.	Merit PART No.	Stancor PART No.	Thordarson PART No.	
T2	1200Ω	17Ω	T138A-1				TR-32	

SPEAKER

ITEM No.	TYPE			REPLACEMENT DATA		NOTES
	SIZE	FIELD	V. C. IMP.	DEWALD PART No.	QUAM PART No.	
SP1	2 3/4"	PM	17Ω	S-712		

COILS (RF-IF)

ITEM No.	USE	REPLACEMENT DATA				NOTES
		DEWALD PART No.	MEISSNER PART No.	MERIT PART No.	MILLER PART No.	
L1	Loop Stick	L-138A	14-9013			
L2	Osc. Coll	O-137	14-9014			
L3	1st IF Trans.	1-131-3	16-9012		2041	
L4	2nd IF Trans.	1-131-4	16-9013		2041	

BATTERIES

ITEM No.	VOLTAGE	DEWALD PART No.	REPLACEMENT DATA						INSTALLATION NOTES
			EVEREADY			BURGESS			
			"A"	"B"	"A-B"	"A"	"B"	"A-B"	
M1	9V			246				2N6	

CRYSTAL DIODES

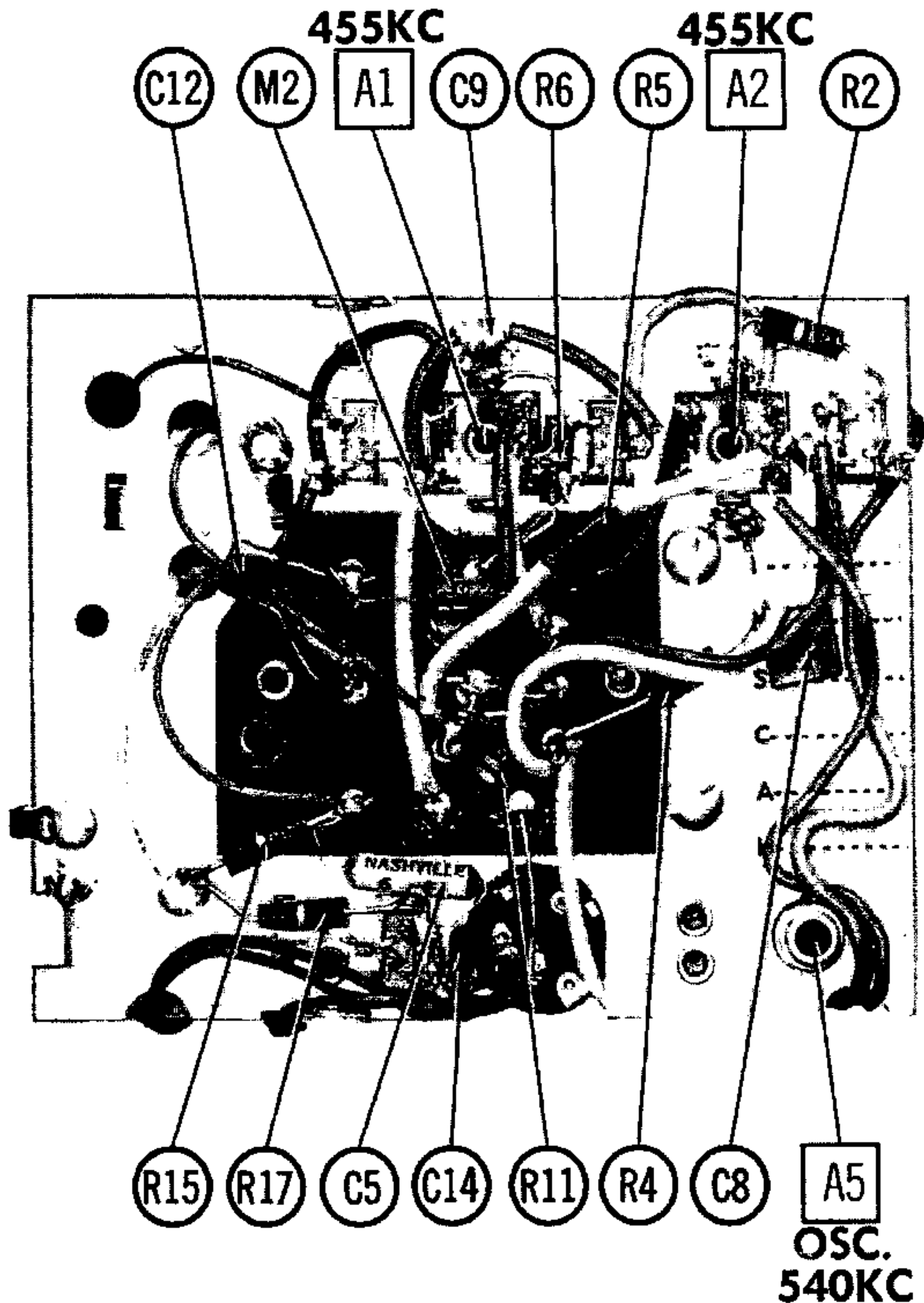
ITEM No.	ORIG. TYPE	REPLACEMENT DATA		NOTES
		DEWALD PART No.	SYLVANIA PART No.	
M2	*1N295		1N60	Pigtail (Audio Detector)

* CK-706A may be used in some versions.

MISCELLANEOUS

ITEM No.	PART NAME	DEWALD PART No.	NOTES
M3	Tuning Cap. Cabinet Knob Knob	C-219-1 C-445A K-447 K-448A	2 Gang (10-135MMF, 18-100MMF) Volume Tuning

CHASSIS—BOTTOM VIEW



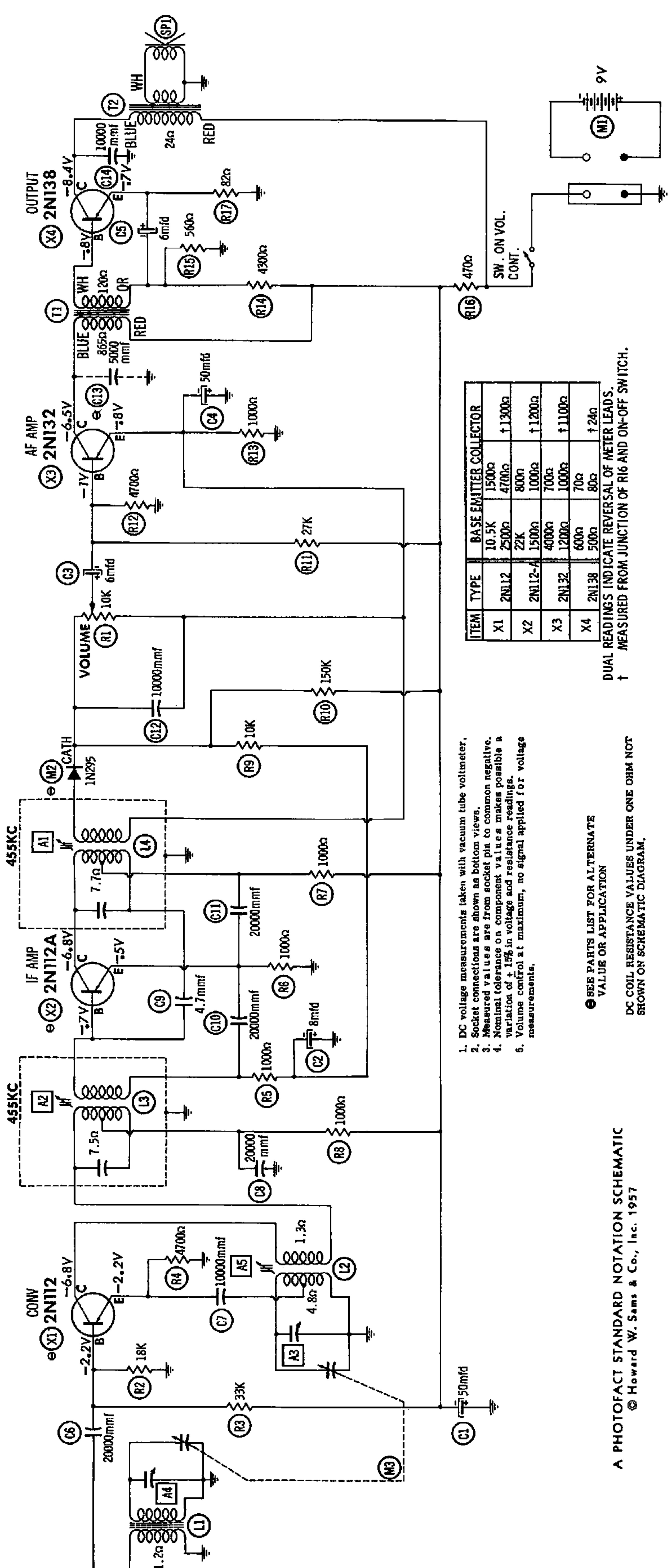
455KC

455KC

C12 M2 A1 C9 R6 R5 A2 R2

R15 R17 C5 C14 R11 R4 C8 A5

OSC.
540KC



ITEM	TYPE	BASE	EMITTER	COLLECTOR
X1	2N112	10.5K	1500Ω	
X2	2N112A	2500Ω	4700Ω	†1300Ω
X3	2N132	22K	800Ω	†1200Ω
X4	2N138	1500Ω	1000Ω	†1100Ω
		4000Ω	700Ω	
		1200Ω	1000Ω	
		600Ω	70Ω	
		500Ω	80Ω	

DUAL READINGS INDICATE REVERSAL OF METER LEADS.
 † MEASURED FROM JUNCTION OF R16 AND ON-OFF SWITCH.

1. DC voltage measurements taken with vacuum tube voltmeter.
2. Socket connections are shown as bottom views.
3. Measured values are from socket pin to common negative.
4. Nominal tolerance on component values makes possible a variation of +15% in voltage and resistance readings.
5. Volume control at maximum, no signal applied for voltage measurements.

● SEE PARTS LIST FOR ALTERNATE VALUE OR APPLICATION

A PHOTOFAC STANDARD NOTATION SCHEMATIC
 © Howard W. Sams & Co., Inc. 1957

DC COIL RESISTANCE VALUES UNDER ONE OHM NOT SHOWN ON SCHEMATIC DIAGRAM.