

PHOTOFACT® Folder

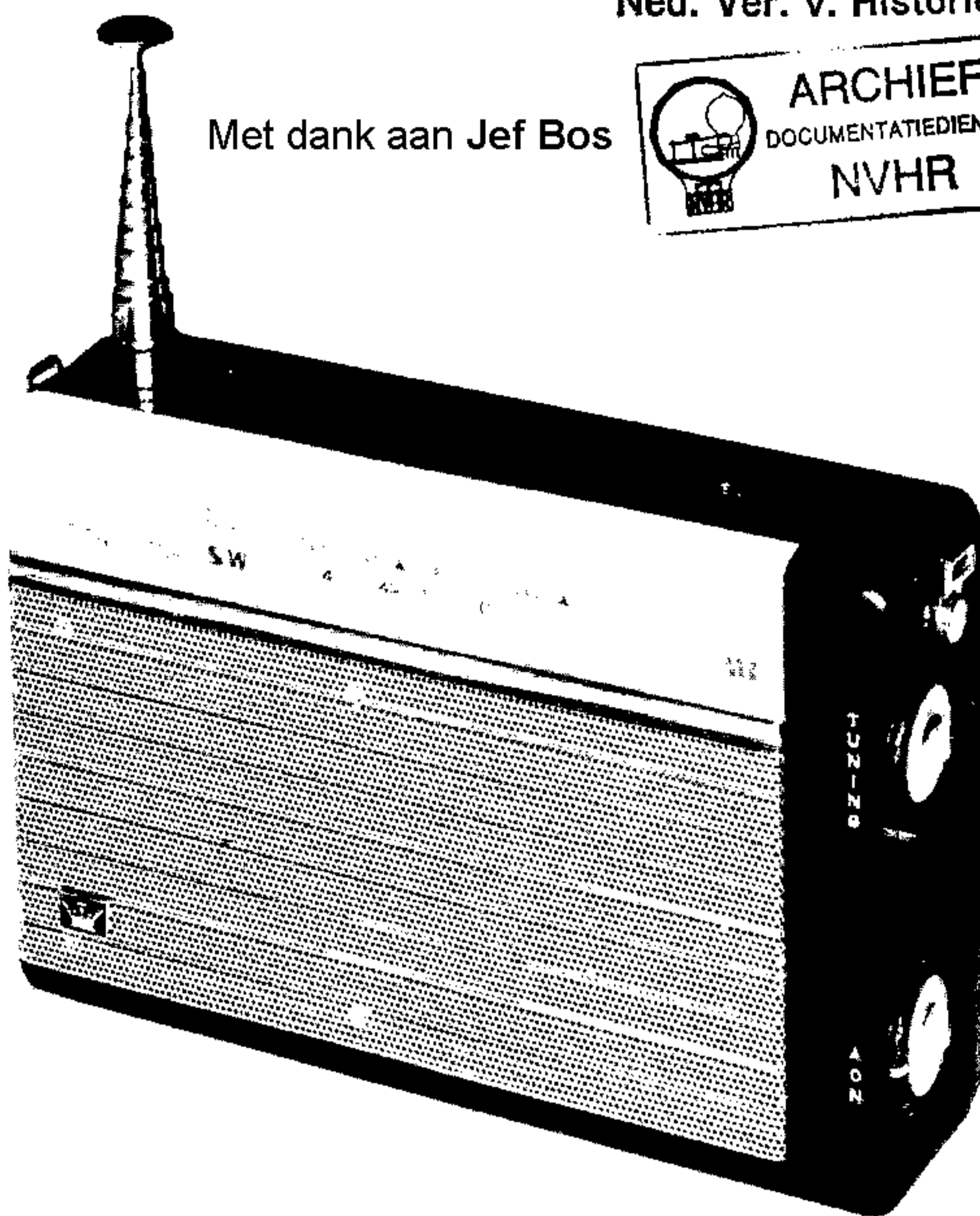
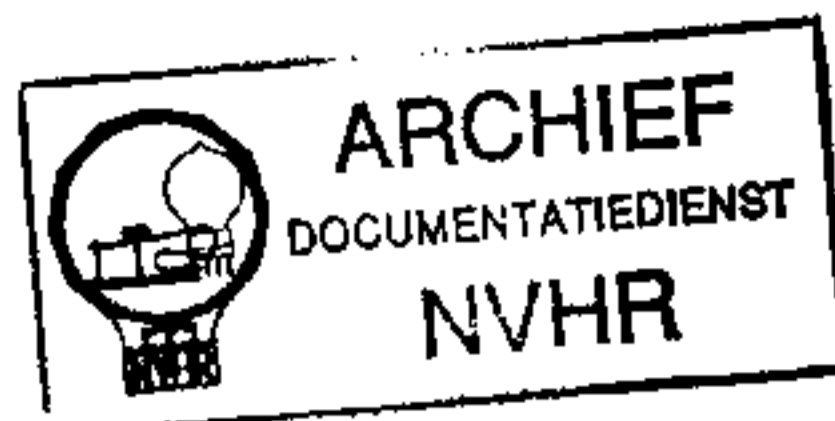
with CIRCUITRACE®

CROWN MODEL  
TR-875



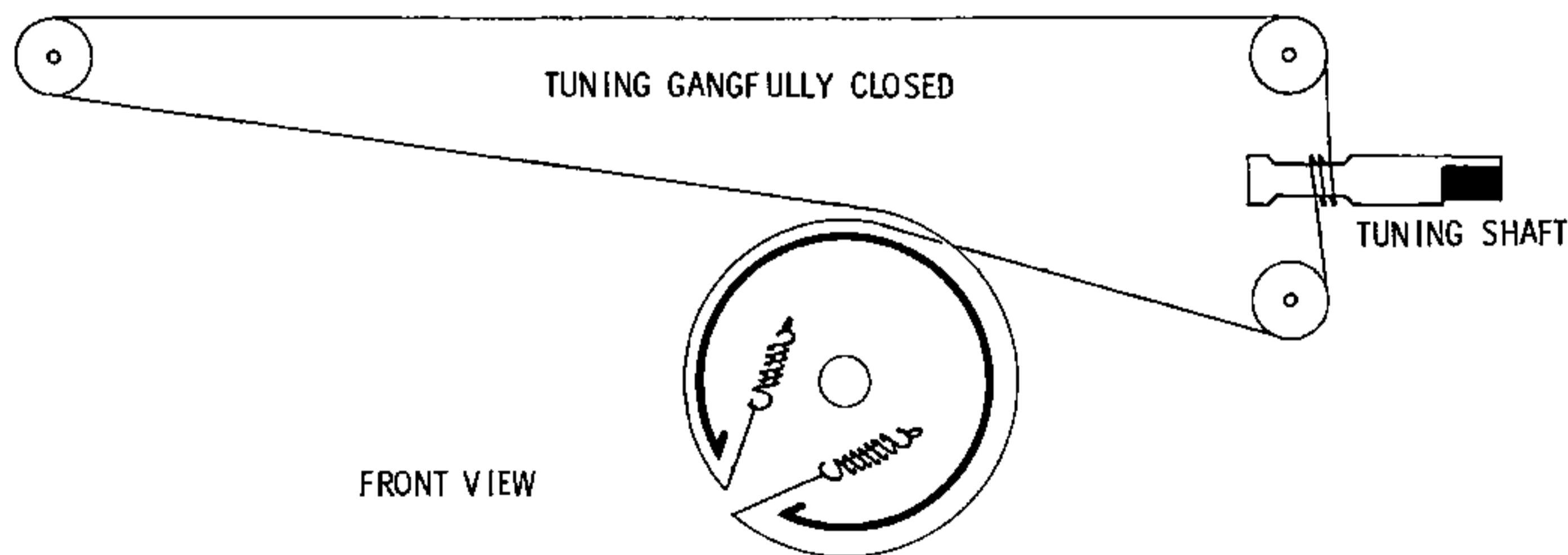
Ned. Ver. v. Historie v/d Radio

Met dank aan Jef Bos



TRADE NAME	Crown Model TR-875		
IMPORTER	Shriro, Inc., 276 Fourth Ave., New York 10, N. Y.		
TYPE SET	Battery Operated Transistorized Portable BC-SW Receiver		
POWER SUPPLY	9 Volts DC	RATING	8MA@9 Volts DC (No Signal, Min. Volume) 15MA@9 Volts DC (Signal, Normal Volume)
TUNING RANGE—BROADCAST	535 - 1605 KC	SHORT WAVE	3.9 - 12MC

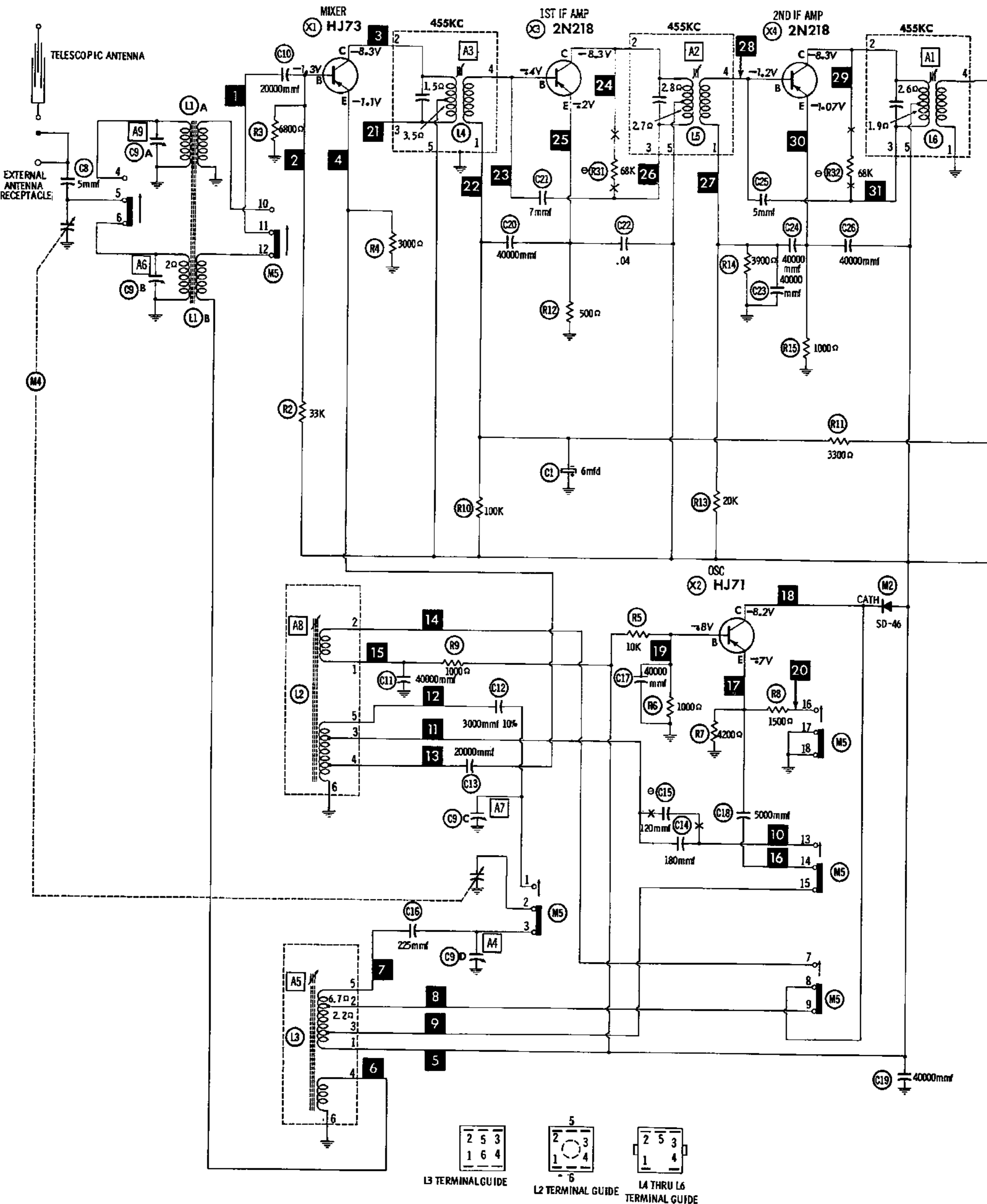
## DIAL CORD STRINGING

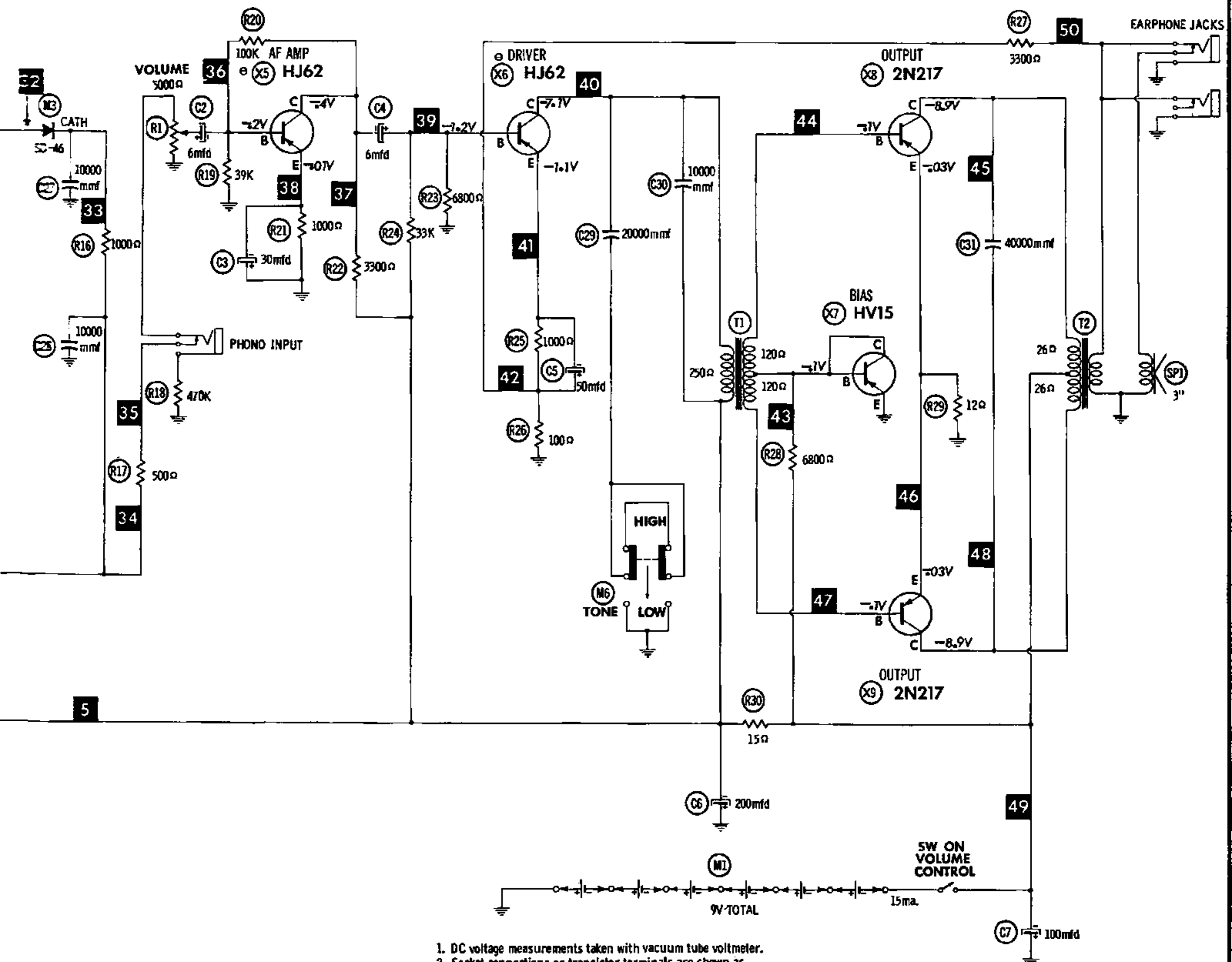


**HOWARD W. SAMS & CO., INC.** Indianapolis 6, Indiana

The listing of any available replacement part herein does not constitute in any case a recommendation, warranty or guaranty by Howard W. Sams & Co., Inc., as to the quality and suitability of such replacement part. The numbers of these parts have been compiled from information furnished to Howard W. Sams & Co., Inc., by the manufacturers of JF889

the particular type of replacement part listed. Reproduction or use, without express permission, of editorial or pictorial content, in any manner, is prohibited. No patent liability is assumed with respect to the use of the information contained herein. © 1960 Howard W. Sams & Co., Inc., Indianapolis 6, Indiana. Printed in U.S. of America





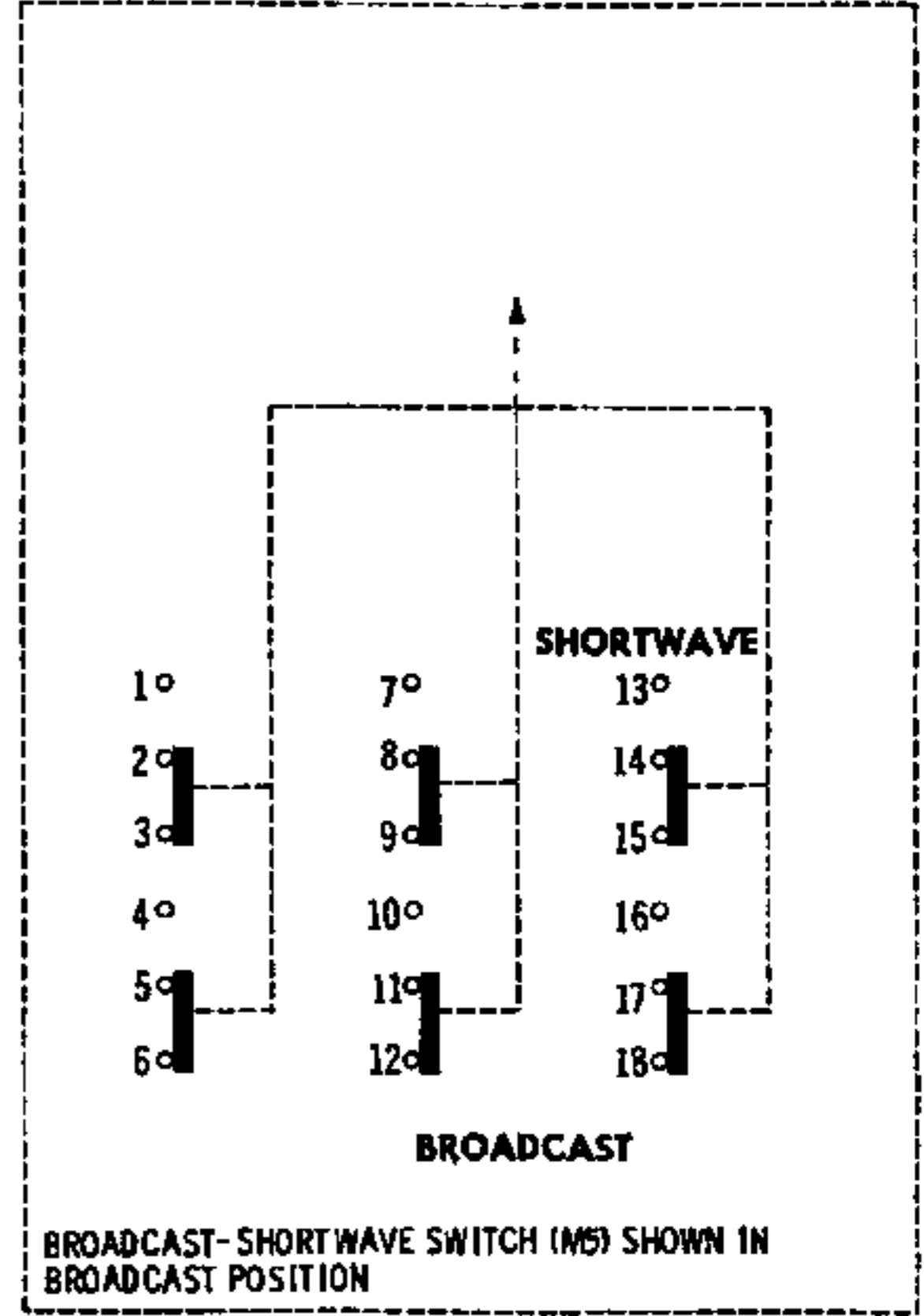
1. DC voltage measurements taken with vacuum tube voltmeter.
2. Socket connections or transistor terminals are shown as bottom views.
3. Measured values are from socket pin or terminal to common ground.
4. Nominal tolerance on component values makes possible a variation of  $\pm 15\%$  in voltage and resistance readings.
5. Volume control at maximum, no signal applied for voltage measurements.

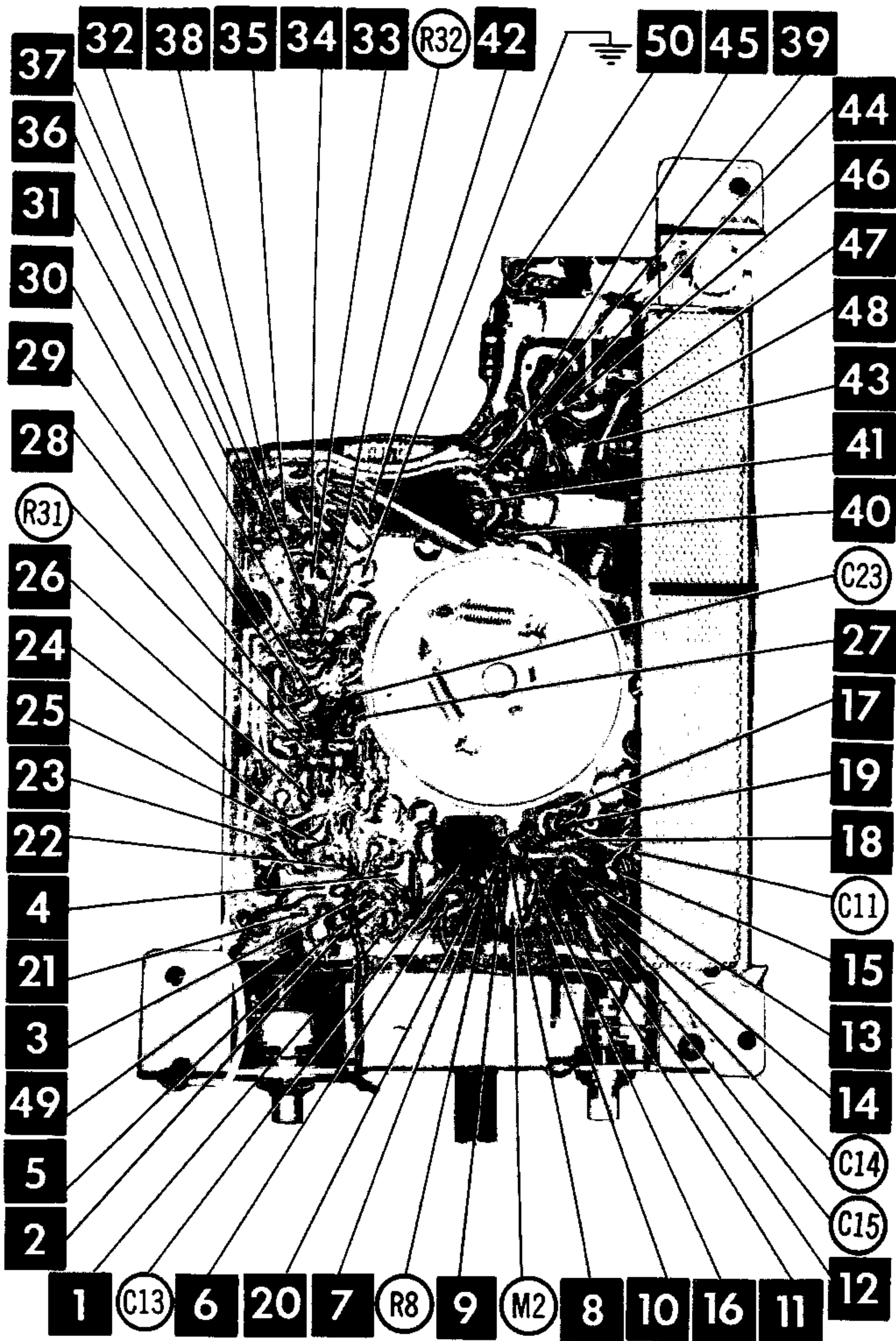
SEE PARTS LIST FOR ALTERNATE VALUE OR APPLICATION

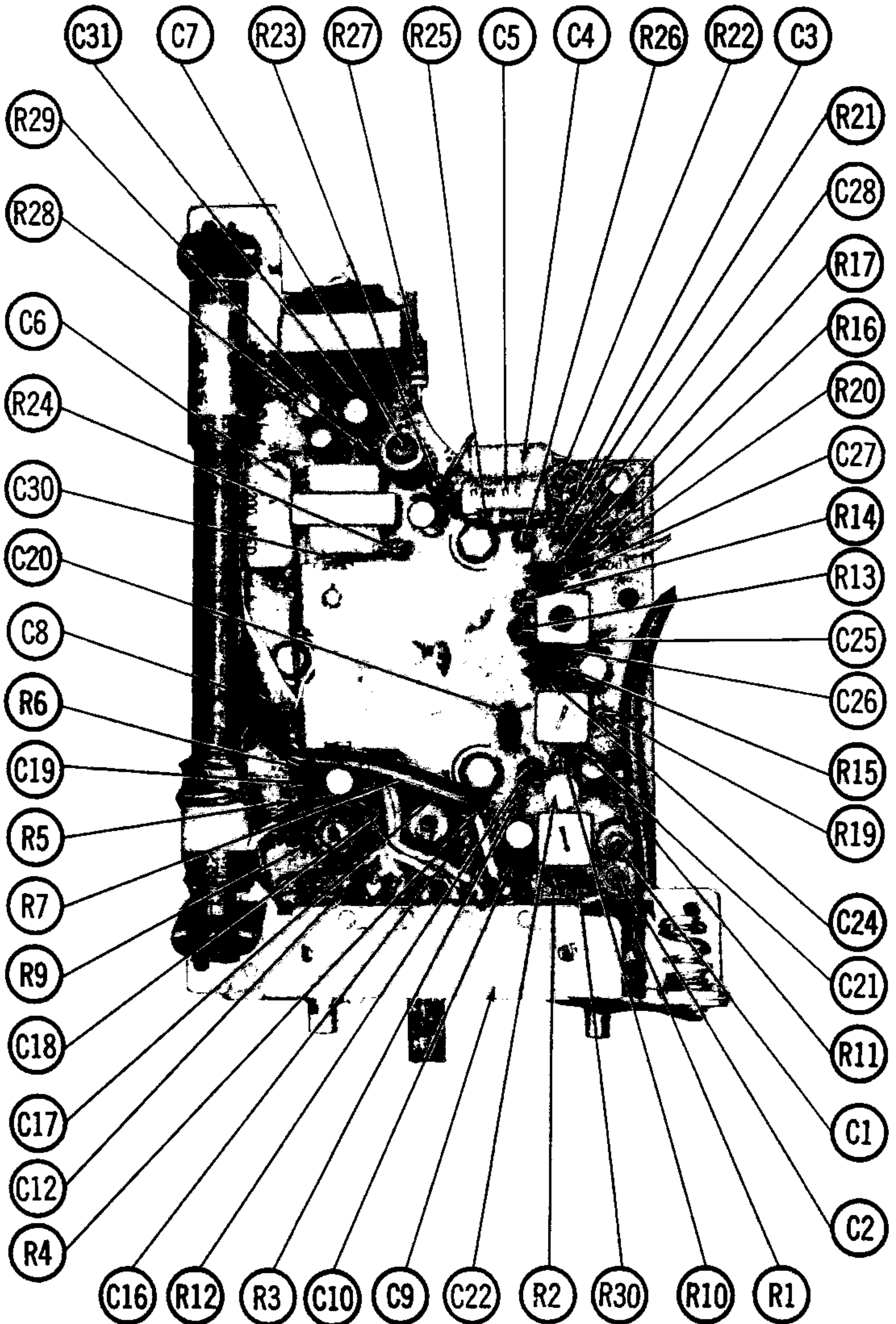
DC COIL RESISTANCE VALUES UNDER ONE OHM NOT SHOWN ON SCHEMATIC DIAGRAM

NUMBERS ASSIGNED TO COILS, SWITCHES, PLUGS, SOCKETS, AND TRANSFORMERS ARE TO FACILITATE CIRCUIT TRACING OR COMPONENT REPLACEMENT AND MAY NOT NECESSARILY BE FOUND ON THE UNIT.

RESISTANCE MEASUREMENTS NOT GIVEN BECAUSE OF THE WIDE VARIATION IN INTERNAL TRANSISTOR RESISTANCE.







CHASSIS TOP VIEW—CAPACITOR, RESISTOR & MISC. IDENT.

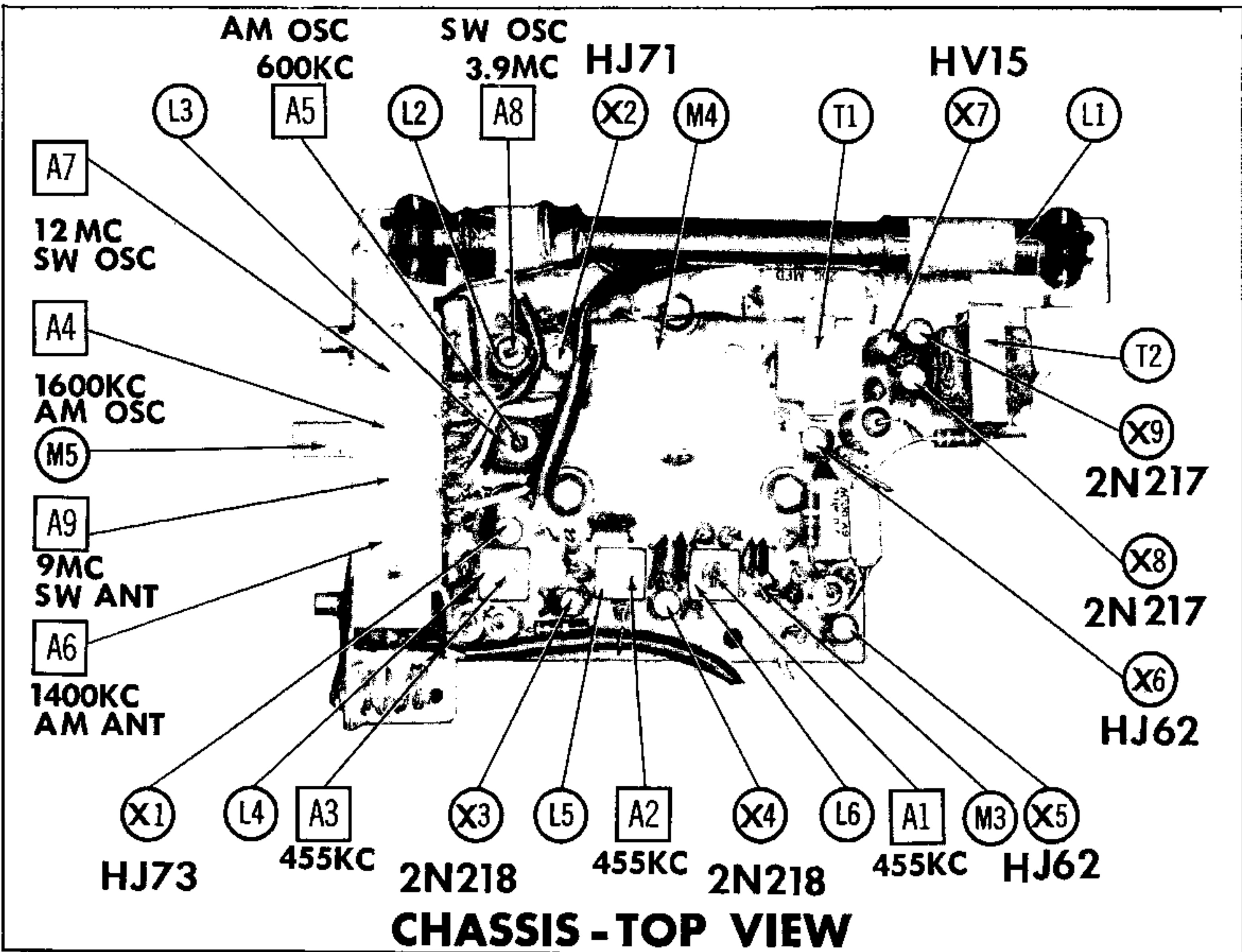
# ALIGNMENT INSTRUCTIONS

## ALIGNMENT INSTRUCTIONS—READ CAREFULLY BEFORE ATTEMPTING ALIGNMENT

Volume control should be at maximum position. Output of signal generator should be no higher than necessary to obtain an output reading.

Suggested alignment tools: A1, A2, A3. . . . . GENERAL CEMENT #5004, 5009, 8195, 8274, 8275, 8607, 8728, 8987, 8988, 8989, 9291  
 WALSCO #2515, 2520, 2522, 2523, 2531, 2532, 2534, 2537, 2538  
 A4, A6, A7, A9. . . . . GENERAL CEMENT #5000, 5003, 5066, 8276, 8290, 9087, 9089  
 WALSCO #2512, 2525, 2528

	SIGNAL GENERATOR COUPLING	SIGNAL GENERATOR FREQUENCY	RADIO DIAL SETTING	OUTPUT METER	ADJUST	REMARKS
1.	Loop	455KC (400% Mod.)	( BC ) Tuning gang fully open.	Across voice coil.	A1, A2, A3	Fashion loop of several turns of wire and radiate signal into loop of receiver. Adjust for maximum output.
2.	"	1600KC	(BC) 1600KC	"	A4	"
3.	"	600KC	(BC) 600KC	"	A5	"
4.	"	1400KC	(BC) Tune to 1400KC signal.	"	A6	Adjust for maximum output while rocking tuning gang.
5.	"	12MC	(SW) 12MC	"	A7	Adjust for maximum output.
6.	"	3.9MC	(SW) 3.9MC	"	A8	"
7.	"	9MC	(SW) Tune to 9MC signal.	"	A9	Adjust for maximum output while rocking tuning gang.



# PARTS LIST

## TRANSISTORS

ITEM No.	ORIG. TYPE	USE	REPLACEMENT DATA				NOTES
			CBS PART No.	RCA PART No.	RAYTHEON PART No.	SYLVANIA PART No.	
X1	HJ-73	Mixer			2N486		PNP
X2	HJ-71	Oscillator			2N485		PNP
X3	2N218	1st IF Amplifier		2N218	2N483	2N218	PNP
X4	2N218	2nd IF Amplifier		2N218	2N483	2N218	PNP
X5	HJ-62 *	AF Amplifier		2N407	2N362	2N104	PNP
X6	HJ-62 *	Driver		2N407	2N362	2N104	PNP
X7	HV-15	Bias		1N2326	1N295		PNP
X8	2N217	Output		2N217	2N633	2N217	PNP
X9	2N217	Output		2N217	2N633	2N217	PNP

\* Alternate Type 2N215.

## ELECTROLYTIC CAPACITORS

ITEM No.	RATING		CROWN PART No.	AEROVOX PART No.	CORNELL-DUBILIER PART No.	MALLORY PART No.	PYRAMID PART No.	SPRAGUE PART No.	NOTES
	CAP.	VOLT.							
C1	6	6		XPP-6006	NLW6-25	TT10X6	ML6-6	TE-1085	
C2	6	6		XPP-6006	NLW6-25	TT10X6	ML6-6	TE-1085	
C3	30	6		XPP-6030	NLW30-6	TT6X30	ML30-6	TE-1092	
C4	6	6		XPP-6006	NLW6-25	TT10X6	ML6-6	TE-1085	
C5	50	6		XPP-6050	NLW50-6	TT6X50	ML50-6	TE-1100	
C6	200	10		BCD10190				TE-1119.6	
C7	100	10		PWE10100	NLW100-10		ML100-15	TE-1119.3	

## FIXED CAPACITORS

Capacity values given in the rating column are in mfd. for Paper Capacitors, and in mmfd. for Mica and Ceramic Capacitors.

ITEM No.	RATING	REMARKS	REPLACEMENT DATA					SPRAGUE PART No.
			AEROVOX PART No.	CENTRALAB PART No.	CORNELL-DUBILIER PART No.	ELMENCO PART No.	MALLORY PART No.	
C8 C9A B C D	5		DI-5	DD-050	L10V5	CCD-050	GP550	10TS-V50
C10	20000		BPD-02	DD-203	BYB6S2	CCD-203	B-120	5HK-S20
C11	40000			DD-403	BYB6S4		GP140	5HK-S40
C12	3000 500V 10%		1464-003		1R5D3	CM-20B-302M	MCB461	MS-23
C13	20000		BPD-02	DD-203	BYB6S2	CCD-203	B-120	5HK-S20
C14	180		DI-180	DD-181	L10T18	CCD-181	GP318	10TS-T18
C15	120	Note 1	DI-120	DD-121	L10T12	CCD-121	GP312	10TS-T12
C16	225		DI-220	DD-221	L10T22	CCD-221	B-322	10TS-T22
C17	40000			DD-403	BYB6S4		GP140	5HK-S40
C18	5000		BPD-005	DD-502	BYA10D5	CCD-502	B-250	5HK-D50
C19	40000			DD-403	BYB6S4		GP140	5HK-S40
C20	40000			DD-403	BYB6S4		GP140	5HK-S40
C21	7		NPO-DI 6.8	DTZ-6R8	C10V7C	CCTO-6R8	CNO-568	10TCC-V68
C22	.04 50V		V84C2S47	DD-403	BYB6S4		GP140	5HK-S40
C23	40000			DD-403	BYB6S4		GP140	5HK-S40
C24	40000			DD-403	BYB6S4		GP140	5HK-S40
C25	5		NPO-DI 5.0	DTZ-4R7	C10V5C	CCTO-050	CNO-547	10TCC-V50
C26	40000			DD-403	BYB6S4		GP140	5HK-S40
C27	10000		BPD-01	DD-103	BYA10S1	CCD-103	B-110	5HK-S10
C28	10000		BPD-01	DD-103	BYA10S1	CCD-103	B-110	5HK-S10
C29	20000		BPD-02	DD-203	BYB6S2	CCD-203	B-120	5HK-S20
C30	10000		BPD-01	DD-103	BYA10S1	CCD-103	B-110	5HK-S10
C31	40000			DD-403	BYB6S4		GP140	5HK-S40

Note 1. Not used in some versions.

## CONTROLS

ITEM No.	RATING		REPLACEMENT DATA				INSTALLATION NOTES	
	RESISTANCE	WATTS	CROWN PART No.	CENTRALAB PART No.	CLAROSTAT PART No.	CTS-IRC PART No.		MALLORY PART No.
R1	5000Ω	1/2						Volume & Switch

# AND DESCRIPTIONS

## RESISTORS

All wattages 1/2 watt, or less, unless otherwise listed.

ITEM No.	RATING	REMARKS
R2	33K	
R3	6800Ω	
R4	3000Ω	
R5	10K	
R6	1000Ω	
R7	4200Ω	
R8	1500Ω	
R9	1000Ω	
R10	100K	
R11	3300Ω	
R12	500Ω	

ITEM No.	RATING	REMARKS
R13	20K	
R14	3900Ω	
R15	1000Ω	
R16	1000Ω	
R17	500Ω	
R18	470K	
R19	39K	
R20	100K	
R21	1000Ω	
R22	3300Ω	
R23	6800Ω	

ITEM No.	RATING	REMARKS
R24	33K	
R25	1000Ω	
R26	100Ω	
R27	3300Ω	
R28	6800Ω	
R29	12Ω	
R30	15Ω	
R31	68K	Note 1
R32	68K	Note 1

Note 1. Not used in some versions.

## COILS (RF-IF)

ITEM No.	USE	REPLACEMENT DATA						NOTES
		CROWN PART No.	Gramer PART No.	Meissner PART No.	Merit PART No.	Miller PART No.	Ram PART No.	
L1A	SW Loopstick							
B	BC Loopstick							
L2	SW Osc. Coil	S-214						
L3	BC Osc. Coil	8025						
L4	1st IF Trans.	8508						
L5	2nd IF Trans.	8503						
L6	3rd IF Trans.	8518						

## TRANSFORMER (DRIVER)

ITEM No.	TURNS RATIO		REPLACEMENT DATA						NOTES	
			CROWN PART No.	Halldorson PART No.	Merit PART No.	Stancor PART No.	Thordarson PART No.	Triad PART No.		
	PRI.	SEC.								
T1	1.3	1	TRT-20							

## TRANSFORMER (AUDIO OUTPUT)

ITEM No.	IMPEDANCE		REPLACEMENT DATA						NOTES	
			CROWN PART No.	Halldorson PART No.	Merit PART No.	Ram PART No.	Stancor PART No.	Thordarson PART No.		Triad PART No.
	PRI.	SEC.								
T2	700Ω CT	6-8Ω	TRT-21							

## SPEAKER

ITEM No.	TYPE			REPLACEMENT DATA		NOTES
				CROWN PART No.	QUAM PART No.	
	SIZE	FIELD	V. C. IMP.			
SPI	3"	PM	6-8Ω			

## BATTERIES

ITEM No.	VOLTAGE	CROWN PART No.	REPLACEMENT DATA						NOTES
			BURGESS		EVEREADY		MALLORY		
			"A"	"B"	"A"	"B"	"A"	"B"	
M1	1½V			930 *		1015 *		M-15R*	* 6 Required