

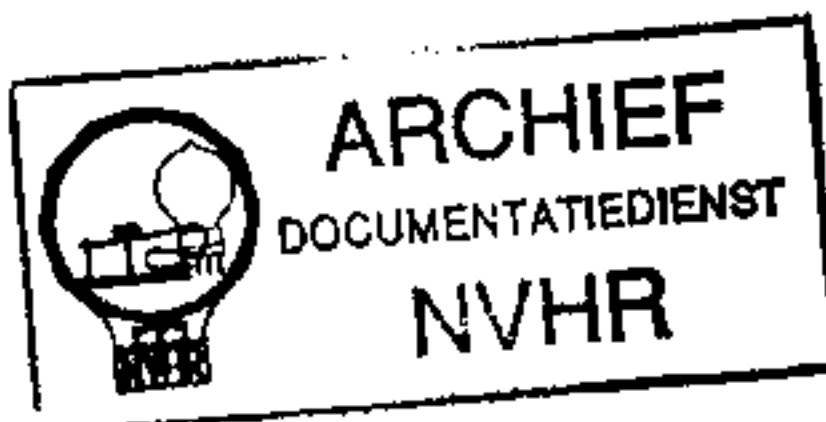
PHOTOFACT® Folder

with CIRCUITRACE®

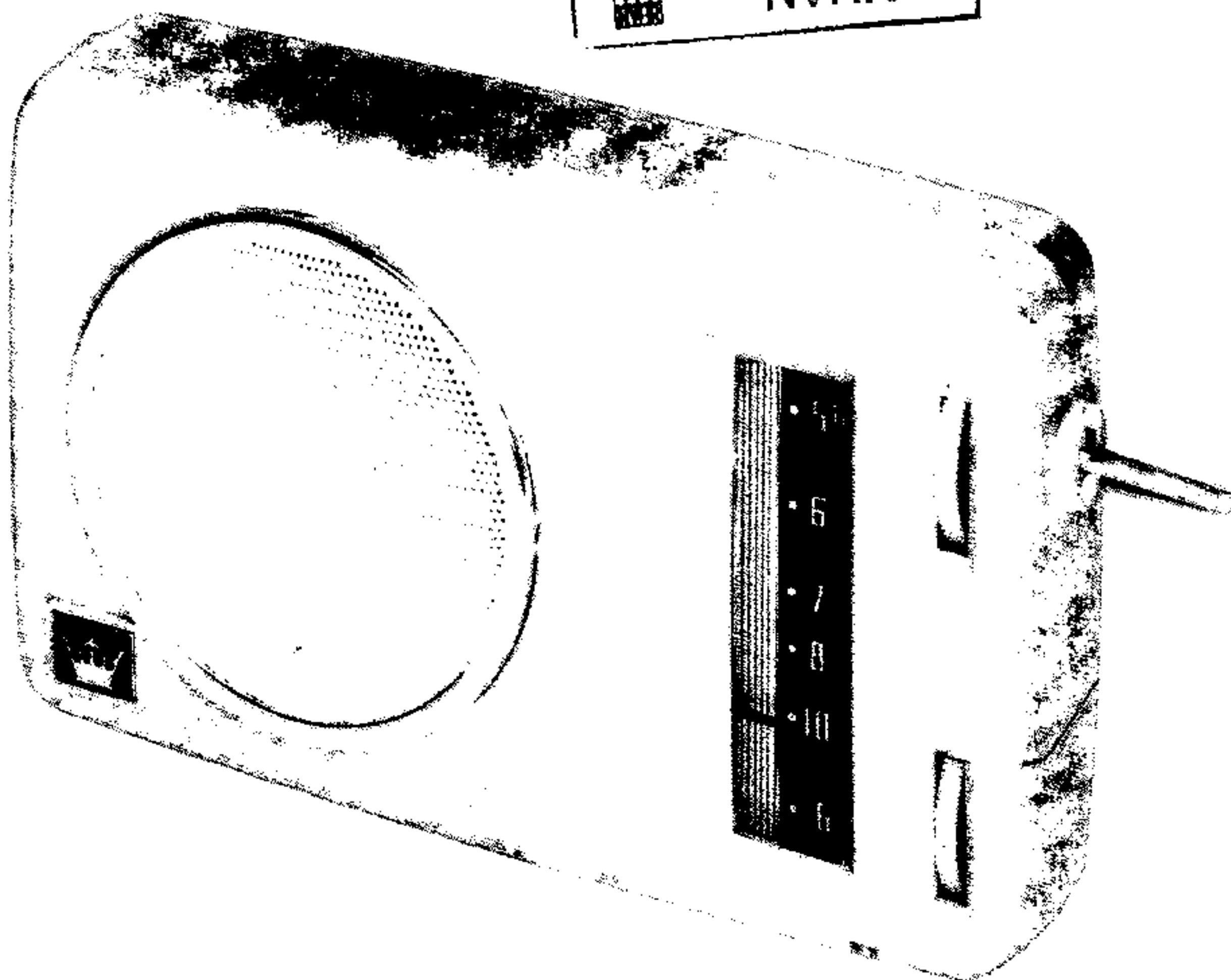
CROWN MODEL TR-800



Ned. Ver. v. Historie v/d Radio



Met dank aan Jef Bos



| | | | |
|------------------------|--|--------|--|
| TRADE NAME | Crown Model TR-800 | | |
| IMPORTER | Shriro, Inc., 276 Fourth Ave., New York 10, N. Y. | | |
| TYPE SET | Battery Operated Transistorized Portable AM Receiver | | |
| POWER SUPPLY | 6 Volts DC | RATING | 8 MA@6 Volts DC (No Signal, Min. Volume) |
| TUNING RANGE—BROADCAST | 535 - 1650KC | | 20 MA@6 Volts DC (Signal, Normal Volume) |

ALIGNMENT INSTRUCTIONS

ALIGNMENT INSTRUCTIONS—READ CAREFULLY BEFORE ATTEMPTING ALIGNMENT

Volume control should be at maximum position. Output of signal generator should be no higher than necessary to obtain an output reading.

Suggested Alignment Tools: A4 and A6. . . . GENERAL CEMENT #5000, 5003, 8276, 8290
WALSCO #2512, 2515, 2522, 2523, 2525, 2537

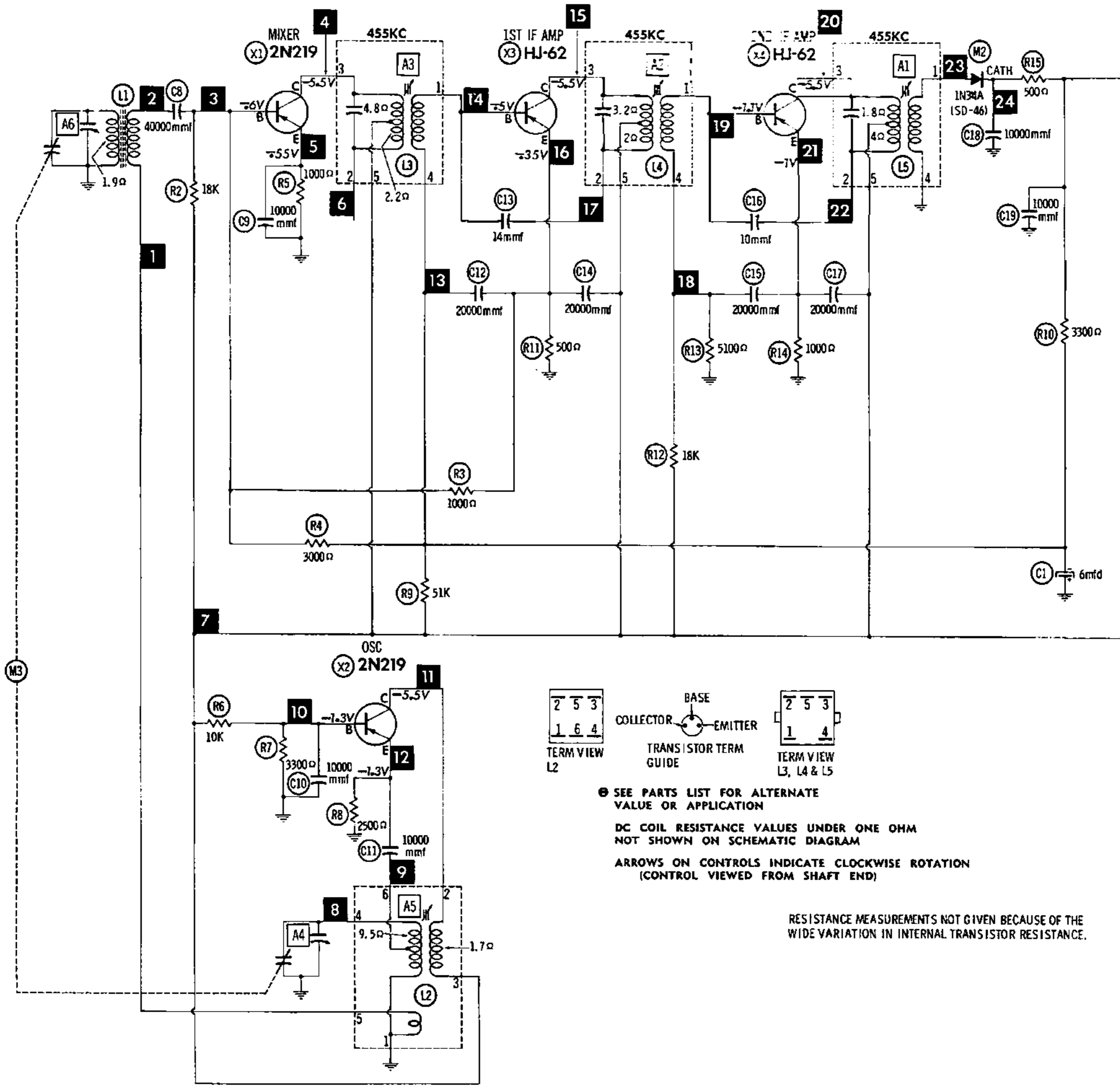
| | SIGNAL GENERATOR COUPLING | SIGNAL GENERATOR FREQUENCY | RADIO DIAL SETTING | OUTPUT METER | ADJUST | REMARKS |
|----|---------------------------|----------------------------|-------------------------|--------------------|------------|--|
| 1. | Loop | 455KC (400 ~ Mod.) | Tuning gang fully open. | Across voice coil. | A1, A2, A3 | Fashion loop of several turns of wire and radiate signal into loop of receiver. Adjust for maximum output. |
| 2. | " | 1600KC | 1600KC | " | A4 | " |
| 3. | " | 600KC | 600KC | " | A5 | " |
| 4. | " | 1400KC | Tune to 1400KC Signal. | " | A6 | Adjust for maximum output while rocking tuning gang. |

HOWARD W. SAMS & CO., INC. Indianapolis 6, Indiana

The listing of any available replacement part herein does not constitute in any case a recommendation, warranty or guaranty by Howard W. Sams & Co., Inc., as to the quality and suitability of such replacement part. The numbers of these parts have been compiled from information furnished to Howard W. Sams & Co., Inc., by the manufacturers of JF915

the particular type of replacement part listed. Reproduction or use, without express permission, of editorial or pictorial content, in any manner, is prohibited. No patent liability is assumed with respect to the use of the information contained herein. © 1960 Howard W. Sams & Co., Inc., Indianapolis 6, Indiana. Printed in U.S. of America



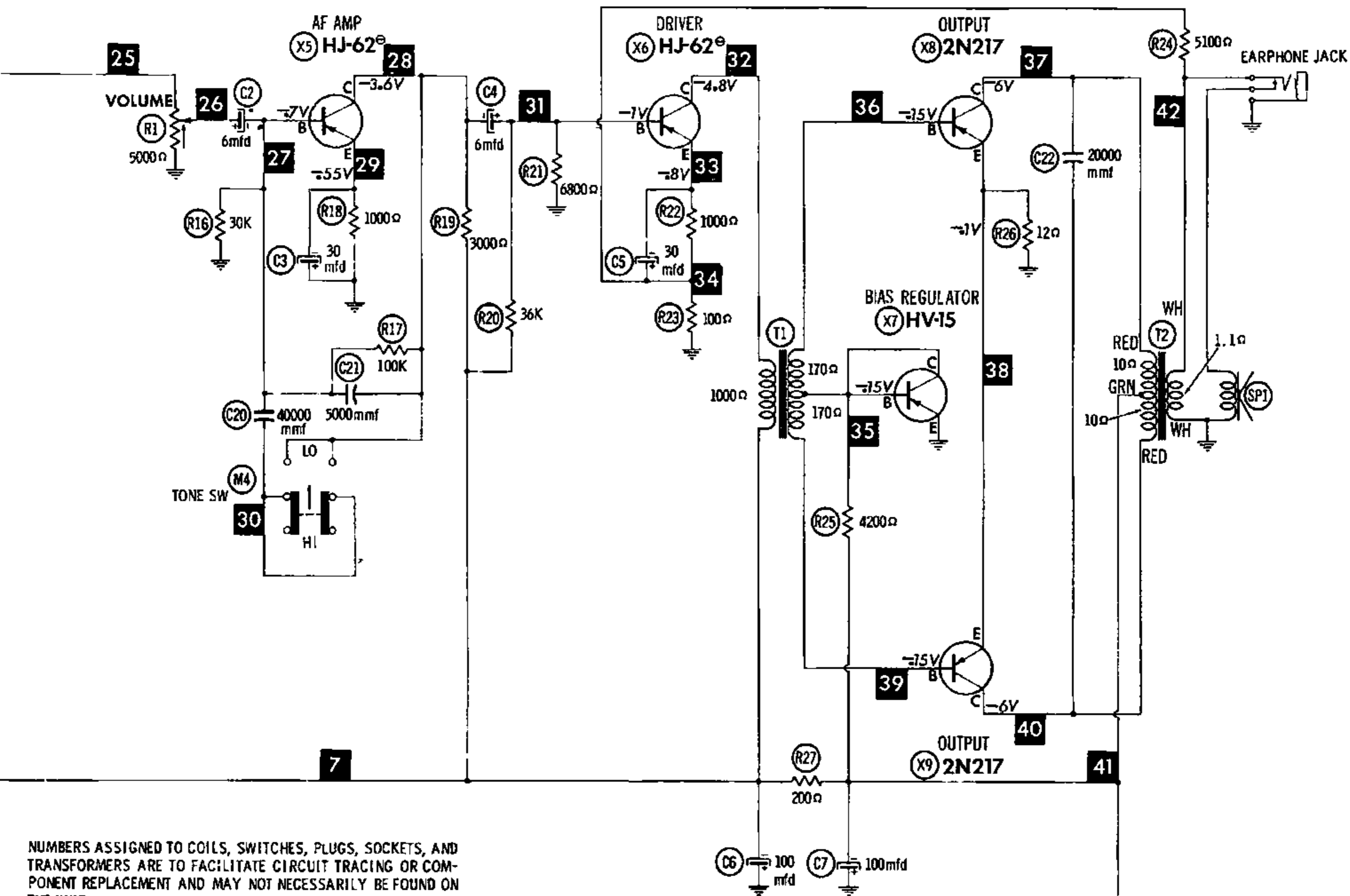


SEE PARTS LIST FOR ALTERNATE VALUE OR APPLICATION

DC COIL RESISTANCE VALUES UNDER ONE OHM NOT SHOWN ON SCHEMATIC DIAGRAM

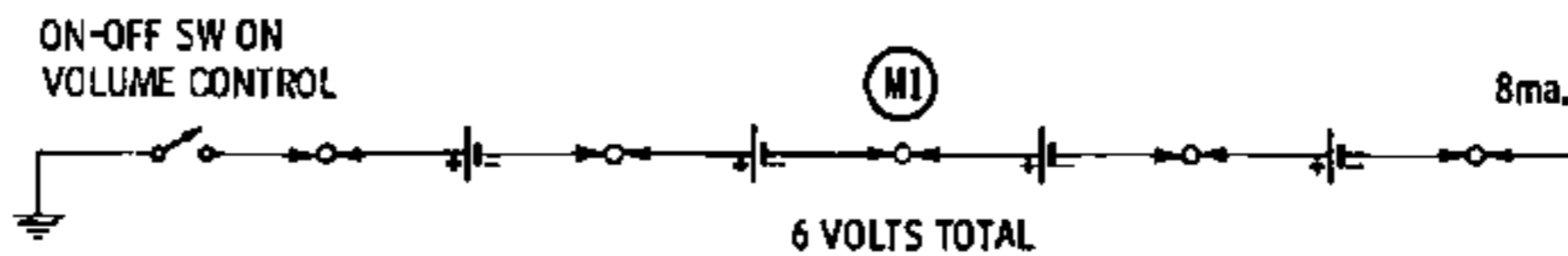
ARROWS ON CONTROLS INDICATE CLOCKWISE ROTATION (CONTROL VIEWED FROM SHAFT END)

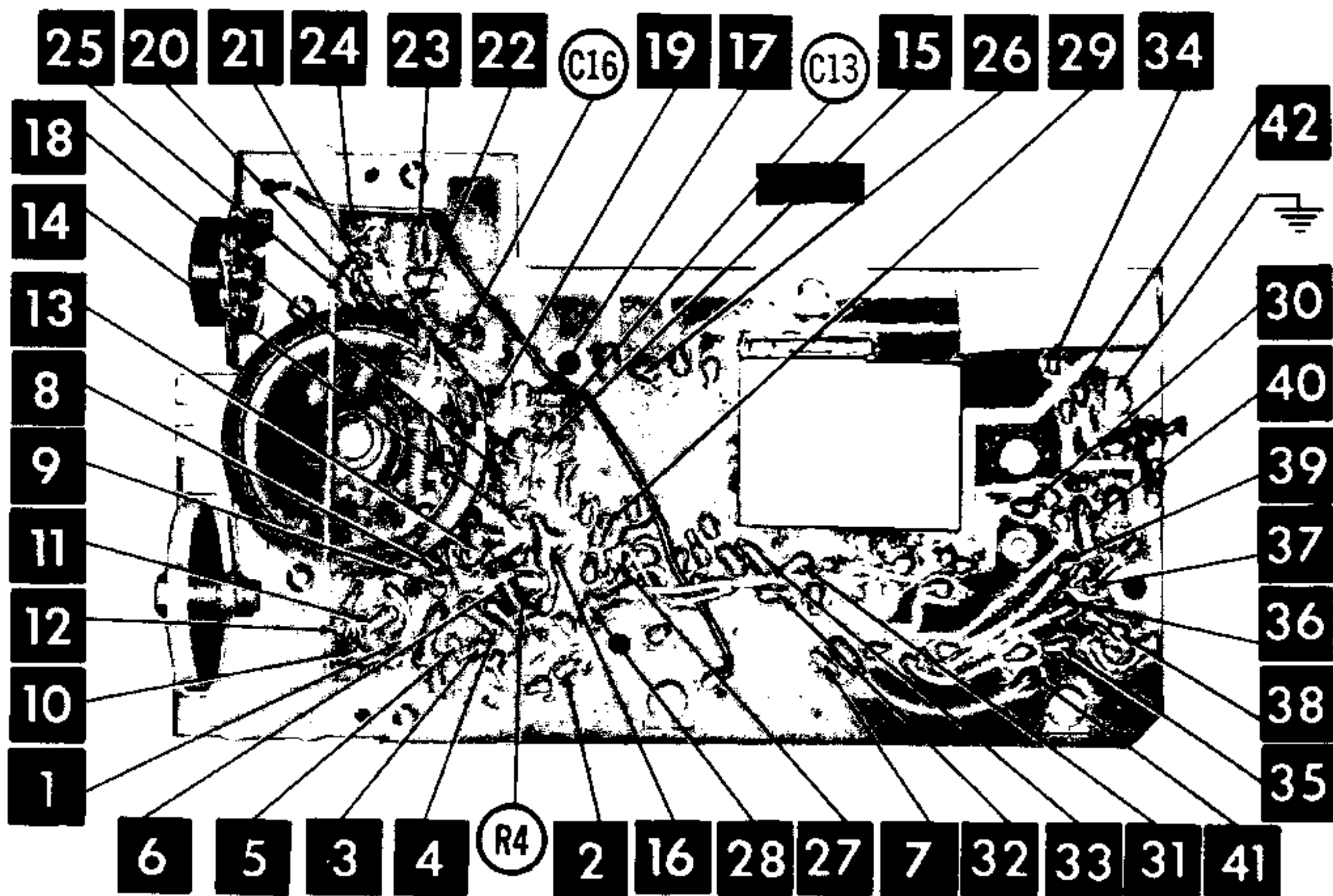
RESISTANCE MEASUREMENTS NOT GIVEN BECAUSE OF THE WIDE VARIATION IN INTERNAL TRANSISTOR RESISTANCE.



NUMBERS ASSIGNED TO COILS, SWITCHES, PLUGS, SOCKETS, AND TRANSFORMERS ARE TO FACILITATE CIRCUIT TRACING OR COMPONENT REPLACEMENT AND MAY NOT NECESSARILY BE FOUND ON THE UNIT.

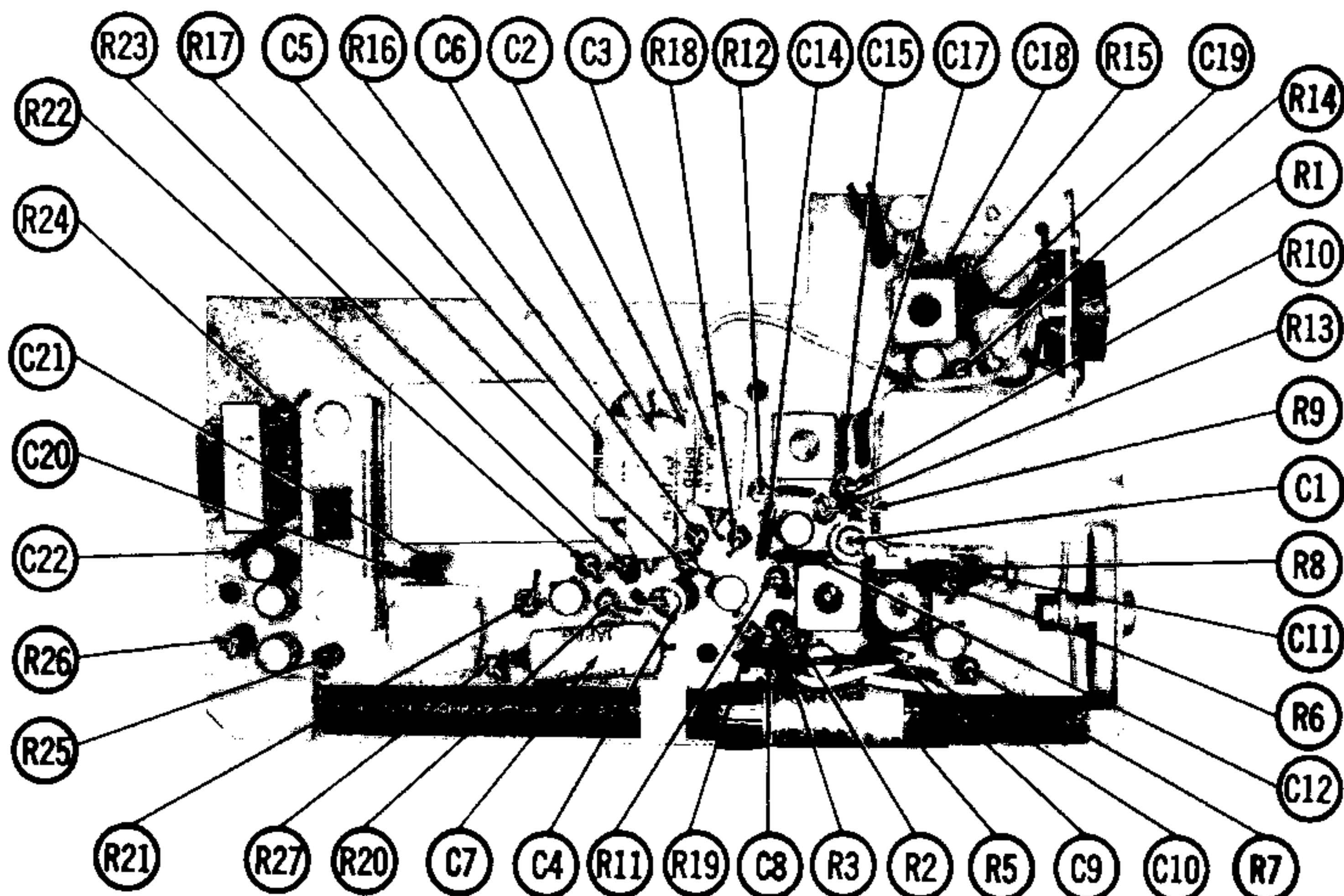
1. DC voltage measurements taken with vacuum tube voltmeter.
2. Socket connections or transistor terminals are shown as bottom views.
3. Measured values are from socket pin or terminal to common ground.
4. Nominal tolerance on component values makes possible a variation of $\pm 15\%$ in voltage and resistance readings.
5. Volume control at maximum, no signal applied for voltage measurements.





A Howard W. Sams CIRCUITRACE Photo

PRINTED BOARD



PRINTED BOARD-CAPACITOR AND RESISTOR IDENTIFICATION

PARTS LIST AND

TRANSISTORS

| ITEM No. | ORIG. TYPE | USE | REPLACEMENT DATA | | | | NOTES |
|----------|------------|------------------|------------------|--------------|-------------------|-------------------|-------|
| | | | CBS PART No. | RCA PART No. | RAYTHEON PART No. | SYLVANIA PART No. | |
| X1 | 2N219 | Mixer | | 2N219 | 2N485 | 2N219 | PNP |
| X2 | 2N219 | Oscillator | | | | | PNP |
| X3 | HJ-62 | 1st IF Amplifier | | 2N219 | 2N485 | 2N219 | PNP |
| X4 | HJ-62 | 2nd IF Amplifier | | | | | PNP |
| X5 | HJ-62 * | AF Amplifier | | 2N407 | 2N362 | 2N104 | PNP |
| X6 | HJ-62 * | Driver | | 2N407 | 2N362 | 2N104 | PNP |
| X7 | HV-15 | Bias Regulator | | | | | PNP |
| X8 | 2N217 | Output | | 2N217 | 2N633 | 2N217 | PNP |
| X9 | 2N217 | Output | | 2N217 | 2N633 | 2N217 | PNP |

* Alternate Type 2N215.

ELECTROLYTIC CAPACITORS

| ITEM No. | RATING | | CROWN PART No. | AEROVOX PART No. | CORNELL-DUBILIER PART No. | MALLORY PART No. | PYRAMID PART No. | SPRAGUE PART No. | NOTES |
|----------|--------|-------|----------------|------------------|---------------------------|------------------|------------------|------------------|-------|
| | CAP. | VOLT. | | | | | | | |
| C1 | 6 | 6 | | | NLW5-6 | TT6X5 | ML6-6 | TE-1085 | |
| C2 | 6 | 6 | | | NLW5-6 | TT6X5 | ML6-6 | TE-1085 | |
| C3 | 30 | 6 | | XPP-6030 | NLW30-6 | TT6X30 | ML30-6 | TE-1092 | |
| C4 | 6 | 6 | | | NLW5-6 | TT6X5 | ML6-6 | TE-1085 | |
| C5 | 30 | 6 | | XPP-6030 | NLW30-6 | TT6X30 | ML30-6 | TE-1092 | |
| C6 | 100 | 6 | | PTT6100 | NLW100-6 | TT6X100 | ML100-6 | TE-1102 | |
| C7 | 100 | 6 | | PTT6100 | NLW100-6 | TT6X100 | ML100-6 | TE-1102 | |

FIXED CAPACITORS

Capacity values given in the rating column are in mfd. for Paper Capacitors, and in mmfd. for Mica and Ceramic Capacitors.

| ITEM No. | RATING | REMARKS | REPLACEMENT DATA | | | | | | |
|----------|--------|---------|------------------|--------------------|---------------------------|------------------|------------------|------------------|--|
| | | | AEROVOX PART No. | CENTRALAB PART No. | CORNELL-DUBILIER PART No. | ELMENCO PART No. | MALLORY PART No. | SPRAGUE PART No. | |
| C8 | 40000 | | | | | | | | |
| C9 | 10000 | | C80V103AM | DDM-103 | H-05S1 | | TA-110 | TG-S10 | |
| C10 | 10000 | | C80V103AM | DDM-103 | H-05S1 | | TA-110 | TG-S10 | |
| C11 | 10000 | | C80V103AM | DDM-103 | H-05S1 | | TA-110 | TG-S10 | |
| C12 | 20000 | | C80V203AM | DDM-203 | H-05S2 | | TA-120 | TG-S20 | |
| C13 | 14 | | NPO-DI 15 | DTZ-15 | C10Q15C | CCTO-150 | CNO-415 | 10TCC-Q15 | |
| C14 | 20000 | | C80V203AM | DDM-203 | H-05S2 | | TA-120 | TG-S20 | |
| C15 | 20000 | | C80V203AM | DDM-203 | H-05S2 | | TA-120 | TG-S20 | |
| C16 | 10 | | NPO-DI 10 | DTZ-10 | C10Q1C | CCTO-100 | CNO-410 | 10TCC-Q10 | |
| C17 | 20000 | | C80V203AM | DDM-203 | H-05S2 | | TA-120 | TG-S20 | |
| C18 | 10000 | | C80V103AM | DDM-103 | H-05S1 | | TA-110 | TG-S10 | |
| C19 | 10000 | | C80V103AM | DDM-103 | H-05S1 | | TA-110 | TG-S10 | |
| C20 | 40000 | | | | | | | | |
| C21 | 5000 | | C80V502AM | DDM-502 | H-05D5 | CCD-502 | TA-250 | TG-D50 | |
| C22 | 20000 | | C80V203AM | DDM-203 | H-05S2 | | TA-120 | TG-S20 | |

D DESCRIPTIONS

CONTROLS

| ITEM No. | RATING | | REPLACEMENT DATA | | | | INSTALLATION NOTES | |
|----------|---------------|-------|------------------|--------------------|--------------------|------------------|--------------------|------------------|
| | RESISTANCE | WATTS | CROWN PART No. | CENTRALAB PART No. | CLAROSTAT PART No. | CTS-IRC PART No. | | MALLORY PART No. |
| R1 | 5000 Ω | 1/4 | 161-S3 | | | | | Volume & Switch |

RESISTORS

All wattages 1/2 watt, or less, unless otherwise listed.

| ITEM No. | RATING | REMARKS | ITEM No. | RATING | REMARKS | ITEM No. | RATING | REMARKS |
|----------|---------------|---------|----------|---------------|---------|----------|---------------|---------|
| R2 | 18K | | R11 | 500 Ω | | R20 | 30K | |
| R3 | 1000 Ω | | R12 | 18K | | R21 | 6800 Ω | |
| R4 | 3000 Ω | | R13 | 5100 Ω | | R22 | 1000 Ω | |
| R5 | 1000 Ω | | R14 | 1000 Ω | | R23 | 100 Ω | |
| R6 | 10K | | R15 | 500 Ω | | R24 | 5100 Ω | |
| R7 | 3300 Ω | | R16 | 30K | | R25 | 4200 Ω | |
| R8 | 2500 Ω | | R17 | 100K | | R26 | 12 Ω | |
| R9 | 51K | | R18 | 1000 Ω | | R27 | 200 Ω | |
| R10 | 3300 Ω | | R19 | 3000 Ω | | | | |

COILS (RF-IF)

| ITEM No. | USE | REPLACEMENT DATA | | | | NOTES |
|----------|---------------|------------------|----------------|-----------------|--------------|-------|
| | | CROWN PART No. | Merit PART No. | Miller PART No. | Ram PART No. | |
| L1 | Loopstick | 80 X120 | | | | |
| L2 | Osc. Coil | 8017 | | | | |
| L3 | 1st IF Trans. | 8508 | | | | |
| L4 | 2nd IF Trans. | 8603 | | | | |
| L5 | 3rd IF Trans. | 8549 | | | | |

TRANSFORMER (DRIVER)

| ITEM No. | TURNS RATIO | | REPLACEMENT DATA | | | | NOTES | |
|----------|-------------|------|------------------|----------------|------------------|---------------------|-------|--|
| | PRI. | SEC. | CROWN PART No. | Merit PART No. | Stancor PART No. | Thordarson PART No. | | Triad PART No. |
| T1 | 1,4 | 1 | TRT-29 | | TA-31① | | | ① Use primary for secondary and secondary for primary. |

TRANSFORMER (AUDIO OUTPUT)

| ITEM No. | IMPEDANCE | | REPLACEMENT DATA | | | | | NOTES | |
|----------|--------------------|----------------|------------------|----------------|--------------|------------------|---------------------|-------|----------------|
| | PRI. | SEC. | CROWN PART No. | Merit PART No. | Ram PART No. | Stancor PART No. | Thordarson PART No. | | Triad PART No. |
| T2 | 350 Ω CT | 10-12 Ω | TRT-4 | | | TA-20 | TR-16 | | |

PARTS LIST AND DESCRIPTIONS (Continued)

SPEAKER

| ITEM No. | TYPE | | | REPLACEMENT DATA | | NOTES |
|----------|------|-------|------------|------------------|---------------|-------|
| | | | | CROWN PART No. | QUAM PART No. | |
| | SIZE | FIELD | V. C. IMP. | | | |
| SP1 | 3" | PM | 10-12Ω | PA-301 | | |

BATTERIES

| ITEM No. | VOLTAGE | CROWN PART No. | REPLACEMENT DATA | | | | | | NOTES |
|----------|---------|----------------|------------------|-------|----------|--------|---------|---------|--------------|
| | | | BURGESS | | EVEREADY | | MALLORY | | |
| | | | "A" | "B" | "A" | "B" | "A" | "B" | |
| MI | 1.5V | | | 930 * | | 1015 * | | M-15R * | * 4 Required |

CRYSTAL DIODES

| ITEM No. | ORIG. TYPE | REPLACEMENT DATA | | | | NOTES |
|----------|------------|------------------|--------------|-------------------|-------------------|--------------------|
| | | CROWN PART No. | CBS PART No. | RAYTHEON PART No. | SYLVANIA PART No. | |
| M2 | 1N34A * | | 1N34A | 1N34A | 1N34A | Detector (Pigtail) |

* Alternate Type SD-46.

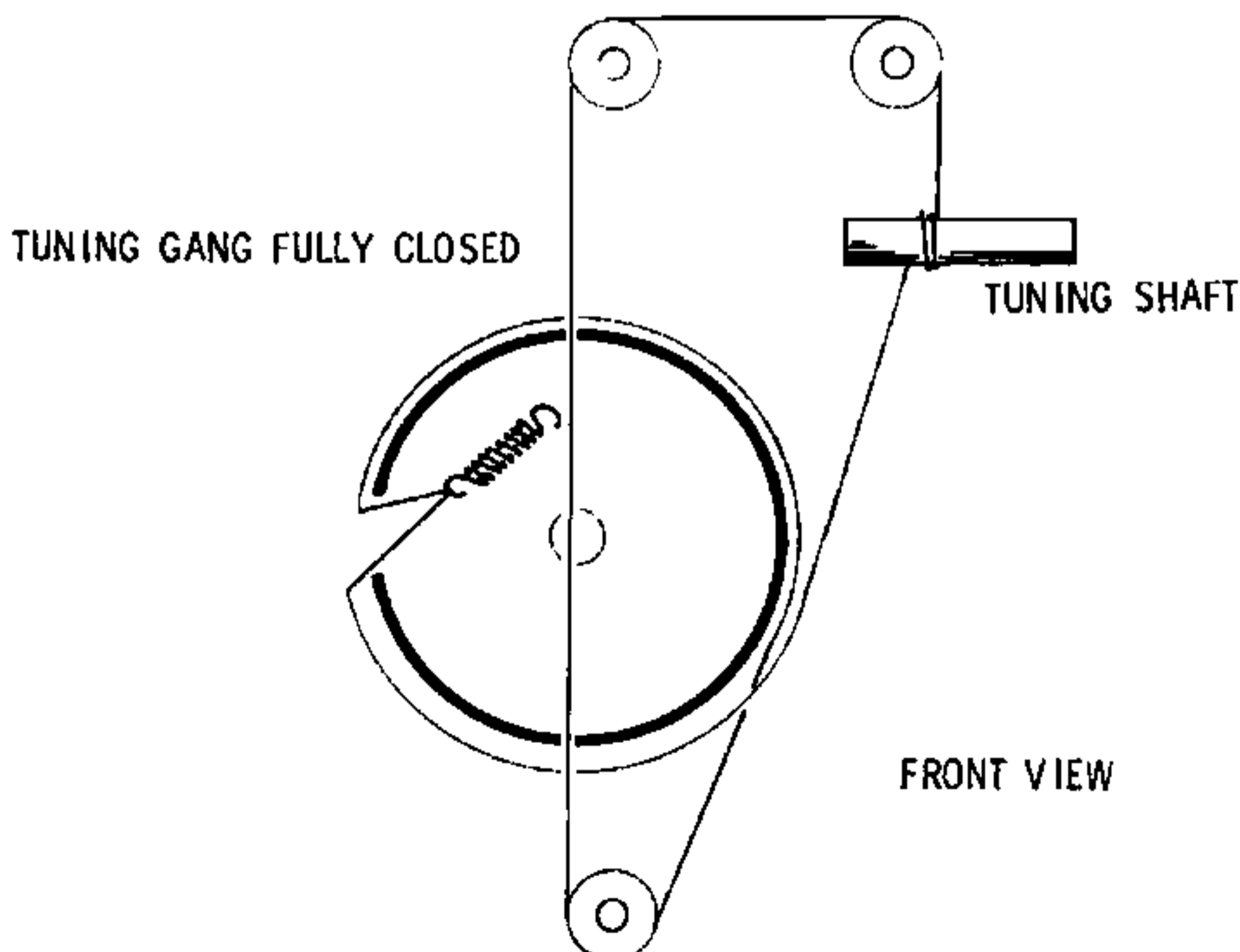
MISCELLANEOUS

| ITEM No. | PART NAME | CROWN PART No. | NOTES |
|----------|-------------------|----------------|----------------------------------|
| M3 M4 | Tuning Cap Switch | | 2 Gang Tone (Slide Type DPDT) |

WIRING DATA

General-use Unshielded Hook-up Wire Use BELDEN No. 8530 (Solid) Available in Ten Colors
8524 (Stranded) Available in Ten Colors

DIAL CORD STRINGING



CHASSIS—TOP VIEW

