

PHOTOFACT* Folder

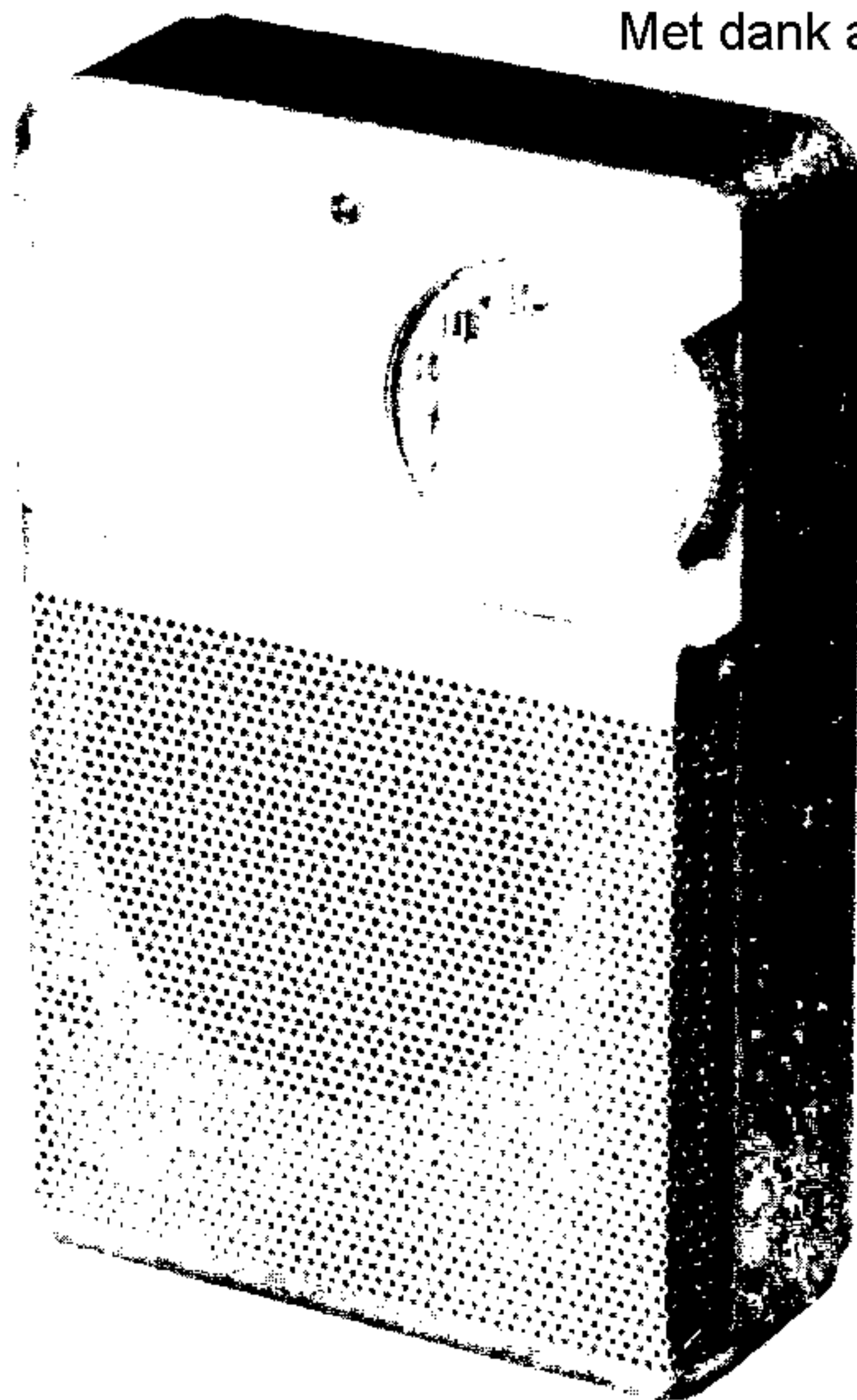
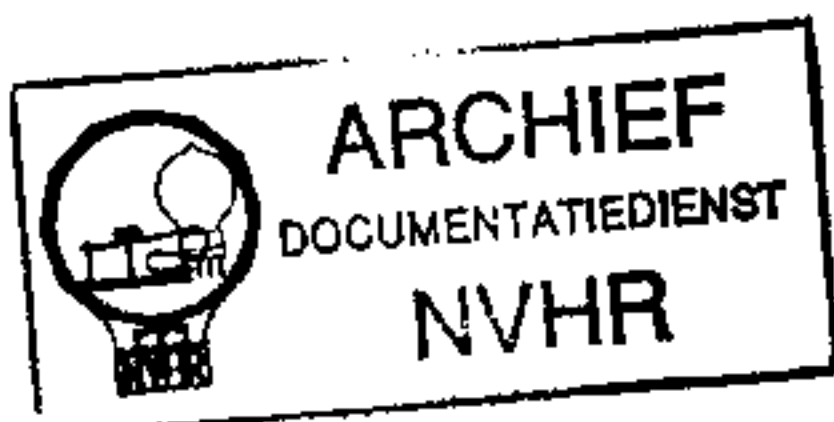


CROWN MODEL TR-333

with **CIRCUITRACE**

Met dank aan Jef Bos

Ned. Ver. v. Historie v/d Radio



TRADE NAME	Crown Model TR-333
IMPORTER	Shriro, Inc., 276 Fourth Ave., New York 10, N. Y.
TYPE SET	Battery Operated Portable Transistorized AM Receiver

POWER SUPPLY	9 Volts DC	RATING	6.5@9 Volts DC (No Signal, Min. Volume)
TUNING RANGE—BROADCAST	525KC — 1650KC		8.6@9 Volts DC (Signal, Normal Volume)

ALIGNMENT INSTRUCTIONS

ALIGNMENT INSTRUCTIONS—READ CAREFULLY BEFORE ATTEMPTING ALIGNMENT

Volume control should be at maximum position. Output of signal generator should be no higher than necessary to obtain an output reading.

Suggested alignment tools:

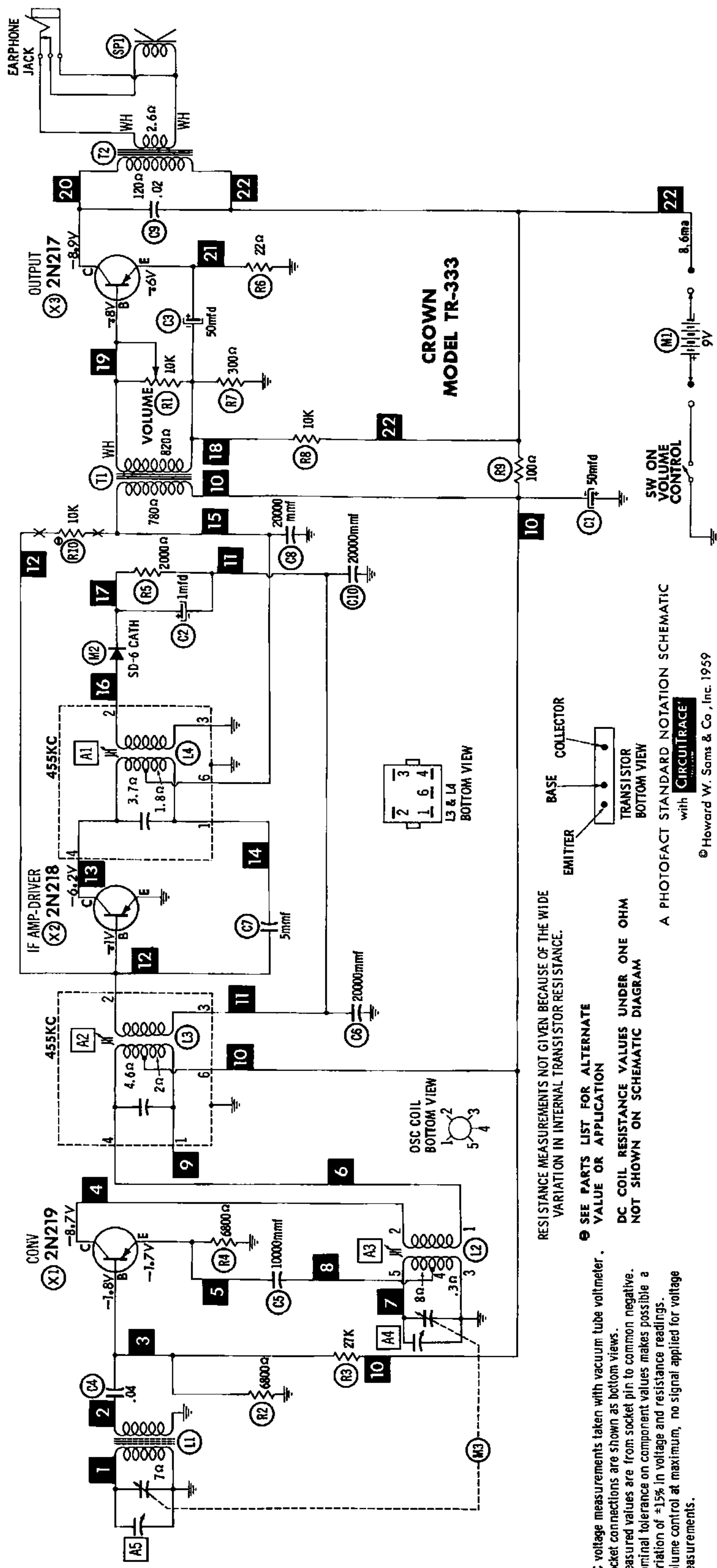
A1, A2, A3.....	GENERAL CEMENT #5009, 8196, 8274, 8275, 8728, 8987 WALSCO #2531
A4, A5.....	GENERAL CEMENT #9087, 9089 WALSCO #2528

	DUMMY ANTENNA	SIGNAL GENERATOR COUPLING	SIGNAL GENERATOR FREQUENCY	RADIO DIAL SETTING	OUTPUT METER	ADJUST	REMARKS
1.		Loop	455KC (400% Mod.)	Tuning gang fully open.	Across voice coil	A1, A2	Fashion loop of several turns of wire and radiate signal into loop of receiver. Adjust for maximum output.
2.		"	525KC	Tuning gang fully closed.	"	A3	Adjust for maximum output.
3.		"	1650KC	Tuning gang fully open.	"	A4, A5	"
4.		"	650KC	650KC	"	A6	"

HOWARD W. SAMS & CO., INC. Indianapolis 6, Indiana

The listing of any available replacement part herein does not constitute in any case a recommendation, warranty or guaranty by Howard W. Sams & Co., Inc., as to the quality and suitability of such replacement part. The numbers of these parts have been compiled from information furnished to Howard W. Sams & Co., Inc., by the manufacturers of JF219

the particular type of replacement part listed. Reproduction or use, without express permission, of editorial or pictorial content, in any manner, is prohibited. No patent liability is assumed with respect to the use of the information contained herein. © 1959 Howard W. Sams & Co., Inc., Indianapolis 6, Indiana. Printed in U.S. of America



**CROWN
MODEL TR-333**

RESISTANCE MEASUREMENTS NOT GIVEN BECAUSE OF THE WIDE VARIATION IN INTERNAL TRANSISTOR RESISTANCE.

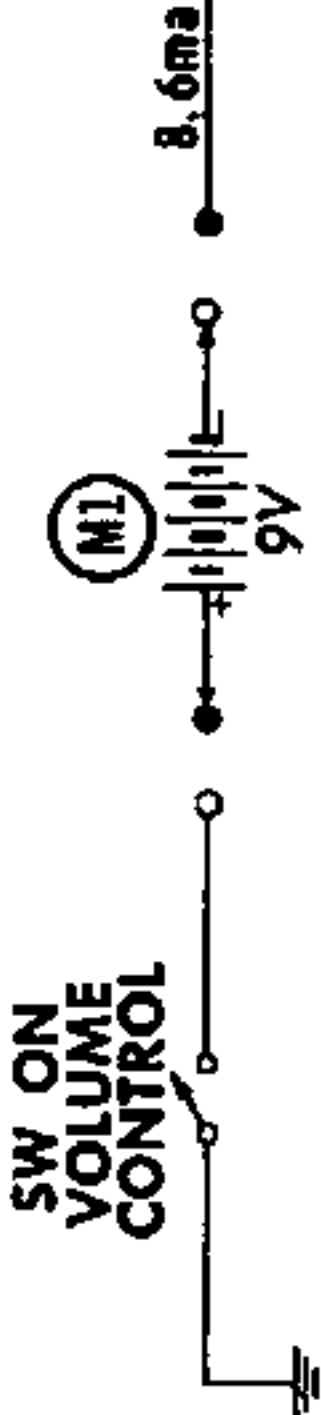
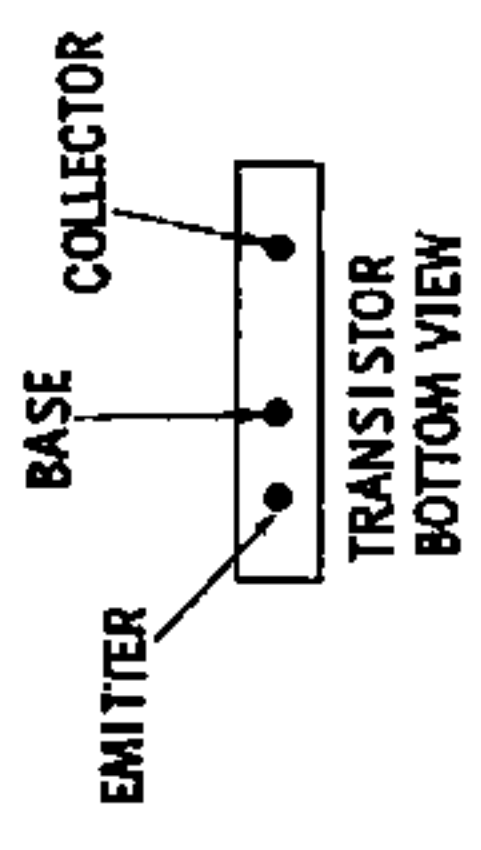
SEE PARTS LIST FOR ALTERNATE VALUE OR APPLICATION

DC COIL RESISTANCE VALUES UNDER ONE OHM NOT SHOWN ON SCHEMATIC DIAGRAM

A PHOTOFACIT STANDARD NOTATION SCHEMATIC with **CIRCUITRACE**

© Howard W. Sams & Co., Inc. 1959

1. DC voltage measurements taken with vacuum tube voltmeter.
2. Socket connections are shown as bottom views.
3. Measured values are from socket pin to common negative.
4. Nominal tolerance on component values makes possible a variation of ±15% in voltage and resistance readings.
5. Volume control at maximum, no signal applied for voltage measurements.



PARTS LIST AND DESCRIPTIONS

TRANSISTORS

ITEM No.	ORIG. TYPE	USE	REPLACEMENT DATA				NOTES
			CBS PART No.	RCA PART No.	RAYTHEON PART No.	SYLVANIA PART No.	
X1	2N219	Converter IF Amplifier-Driver Output		2N219	2N486		PNP PNP PNP
X2	2N218			2N218	2N484		
X3	2N217			2N217	2N631	2N217	

ELECTROLYTIC CAPACITORS

ITEM No.	RATING		REPLACEMENT DATA						NOTES
	CAP.	VOLT.	CROWN PART No.	AEROVOX PART No.	CORNELL-DUBILIER PART No.	MALLORY PART No.	PYRAMID PART No.	SPRAGUE PART No.	
C1	50	10		XPP-10050	NLW50-10	TT10X50	ML50-15	TE-1119	
C2	1	6		XPP-6001	NLW3-6	TT12X1	ML1-6	TE-1080	
C3	50	10		XPP-10050	NLW50-10	TT10X50	ML50-15	TE-1119	

FIXED CAPACITORS

Capacity values given in the rating column are in mfd. for Paper Capacitors, and in mmfd. for Mica and Ceramic Capacitors.

ITEM No.	RATING			REPLACEMENT DATA						NOTES
	CAP.	VOLT	TOL	CROWN PART No.	AEROVOX PART No.	CENTRALAB PART No.	CORNELL-DUBILIER PART No.	MALLORY PART No.	SPRAGUE PART No.	
C4	.04	50				DDA-503	H-0585	TA-150	TG-S50	
C5	10000				C-80V103M	DM-103	H-0581	TA-110	TG-S10	
C6	20000				C-80V203AM	DDM-203	H-0582	TA-120	TG-S20	
C7	5	50			NPO-SI 5	DD-050	L10V5	ZT-555	5GA-V5	
C8	20000				C-80V203AM	DDM-203	H-0582	TA-120	TG-S20	
C9	.02					DDM-203	H-0582	TA-120	TG-S20	
C10	20000				C-80V203AM	DDM-203	H-0582	TA-120	TG-S20	

CONTROLS

ITEM No.	RATING		REPLACEMENT DATA					INSTALLATION NOTES
	RESISTANCE	WATTS	CROWN PART No.	CENTRALAB PART No.	CLAROSTAT PART No.	IRC PART No.	MALLORY PART No.	
R1	10K	1/4		B16-216				Volume & Switch

RESISTORS

All wattages 1/2 watt, or less, unless otherwise listed.

ITEM No.	RATING		CROWN PART No.	NOTES
	OHMS	WATT		
R2	6800Ω			
R3	27K			
R4	6800Ω			
R5	2000Ω			
R6	22Ω			

ITEM No.	RATING		CROWN PART No.	NOTES
	OHMS	WATT		
R7	300Ω			
R8	10K			
R9	100Ω			
R10	100K			Note 1

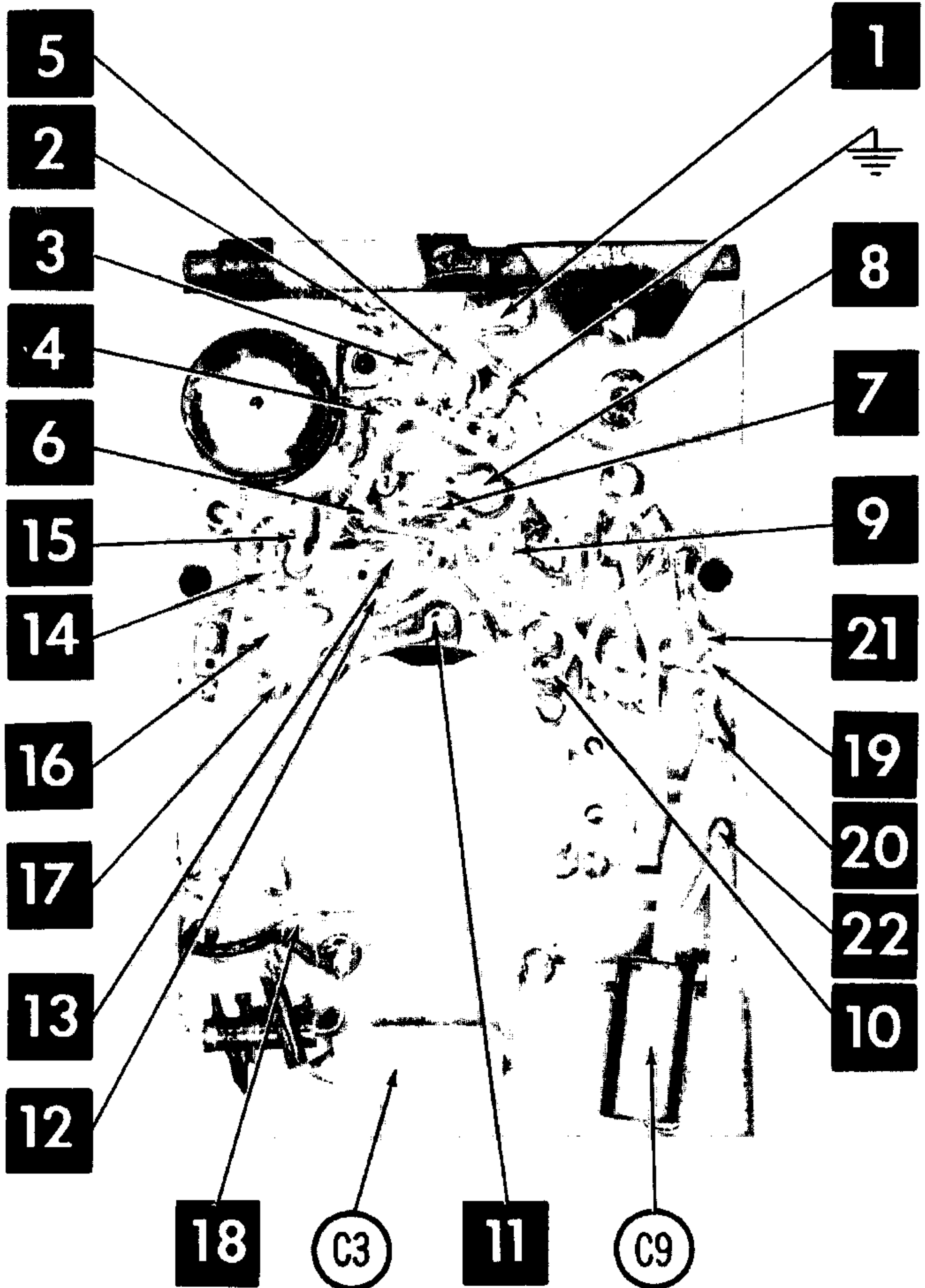
Note 1. Not used in some versions.

COILS (RF-IF)

ITEM No.	USE	REPLACEMENT DATA						NOTES
		CROWN PART No.	Gramer PART No.	Meissner PART No.	Merit PART No.	Miller PART No.	Ram PART No.	
L1	Loopstick							
L2	Osc. Coil							
L3	Input IF Trans.	6046						
L4	Output IF Trans.	6047						

PRINTED BOARD

A Howard W. Sams **CIRCUITRACE** Photo



PARTS LIST AND DESCRIPTIONS (Continued)

TRANSFORMER (DRIVER)

ITEM No.	TURNS RATIO		REPLACEMENT DATA					NOTES
	PRI.	SEC.	CROWN PART No.	Halldorson PART No.	Merit PART No.	Stancor PART No.	Thordarson PART No.	
T1	1	1	TRT-11B					

TRANSFORMER (AUDIO OUTPUT)

ITEM No.	IMPEDANCE		REPLACEMENT DATA					NOTES	
	PRI.	SEC.	CROWN PART No.	Halldorson PART No.	Merit PART No.	Ram PART No.	Stancor PART No.		Thordarson PART No.
T2	1000Ω	10Ω	TRT-8Y						

SPEAKER

ITEM No.	TYPE			REPLACEMENT DATA		NOTES
	SIZE	FIELD	V. C. IMP.	CROWN PART No.	QUAM PART No.	
SP1	2"	PM	10Ω			

BATTERIES

ITEM No.	VOLTAGE	CROWN PART No.	REPLACEMENT DATA						NOTES
			BURGESS		EVEREADY		MALLORY		
			"A"	"B"	"A"	"B"	"A"	"B"	
M1	9V			2U6		216		TR-146R	

CRYSTAL DIODES

ITEM No.	ORIG. TYPE	REPLACEMENT DATA			NOTES
		CROWN PART No.	CBS PART No.	SYLVANIA PART No.	
M2	SD-6		1N60	1N295	Detector (Pigtail)

MISCELLANEOUS

ITEM No.	PART NAME	CROWN PART No.	NOTES
M3	Tuning Cap		2 Gang

CABINETS & CABINET PARTS

(When Ordering Cabinets & Cabinet Parts, Specify Model, Chassis & Color)

WIRING DATA

General-use Unshielded Hook-up Wire Use MIL-DTL-17 No. 6030 (Solid) Available in Ten Colors
 6034 (Stranded) Available in Ten Colors

CHASSIS—TOP VIEW

