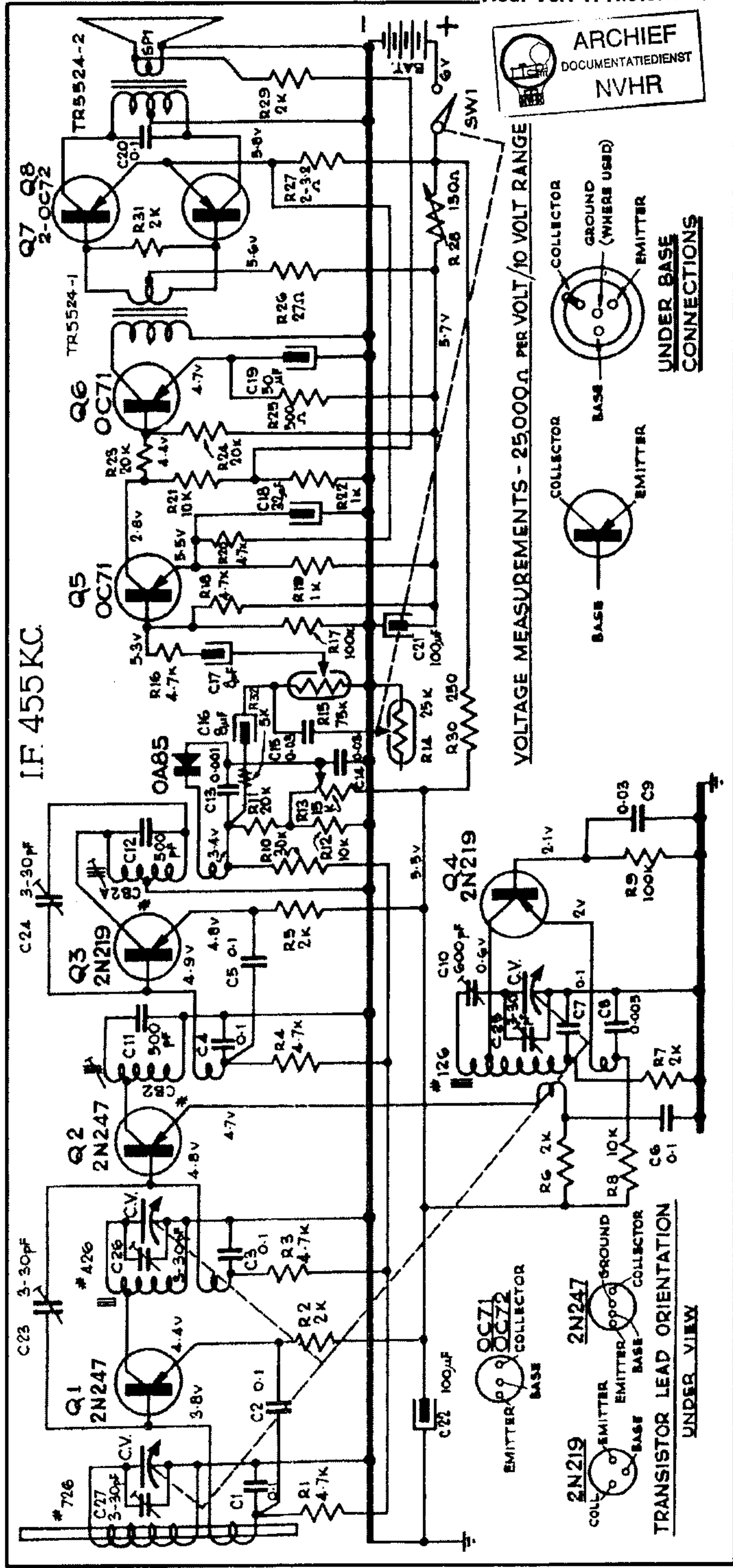
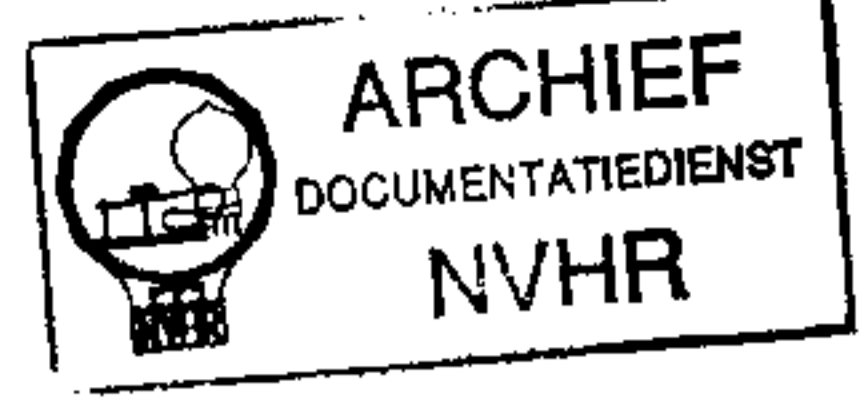
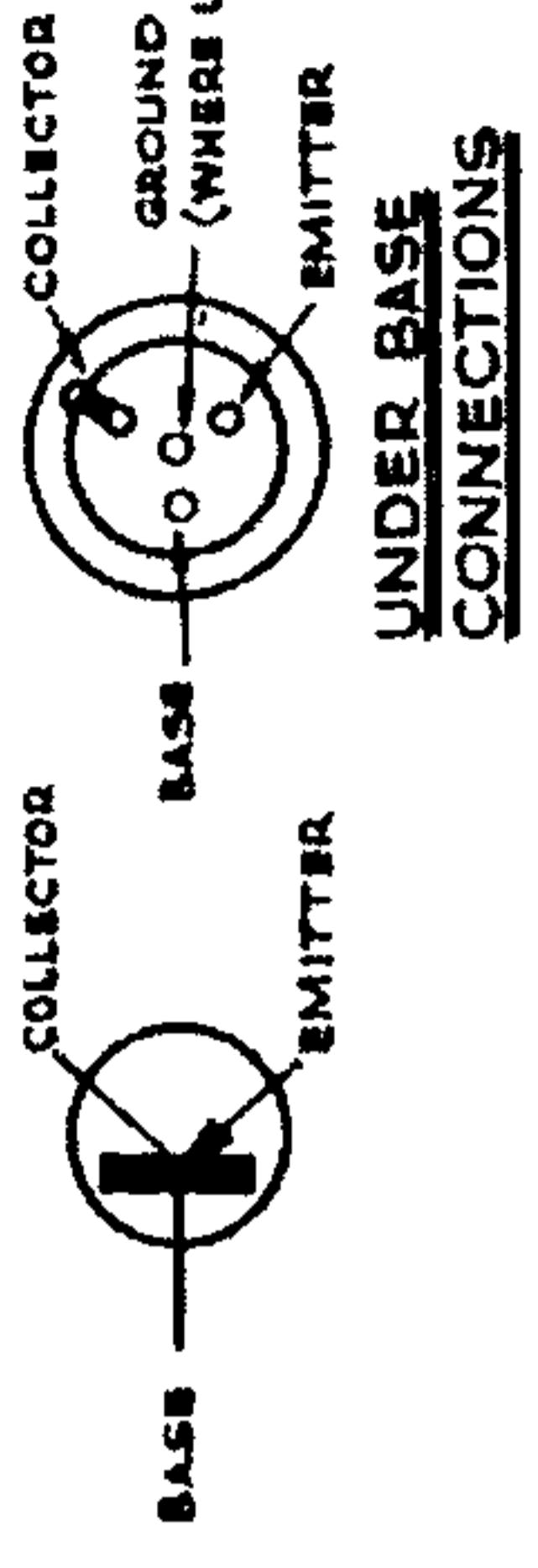


Transportable Transistor 8 1957 circuit

Ned. Ver. v. Historie v/d Ra



VOLTAGE MEASUREMENTS - 25,000Ω PER VOLT/10 VOLT RANGE



UNDER BASE CONNECTIONS

TRANSISTOR LEAD ORIENTATION UNDER VIEW