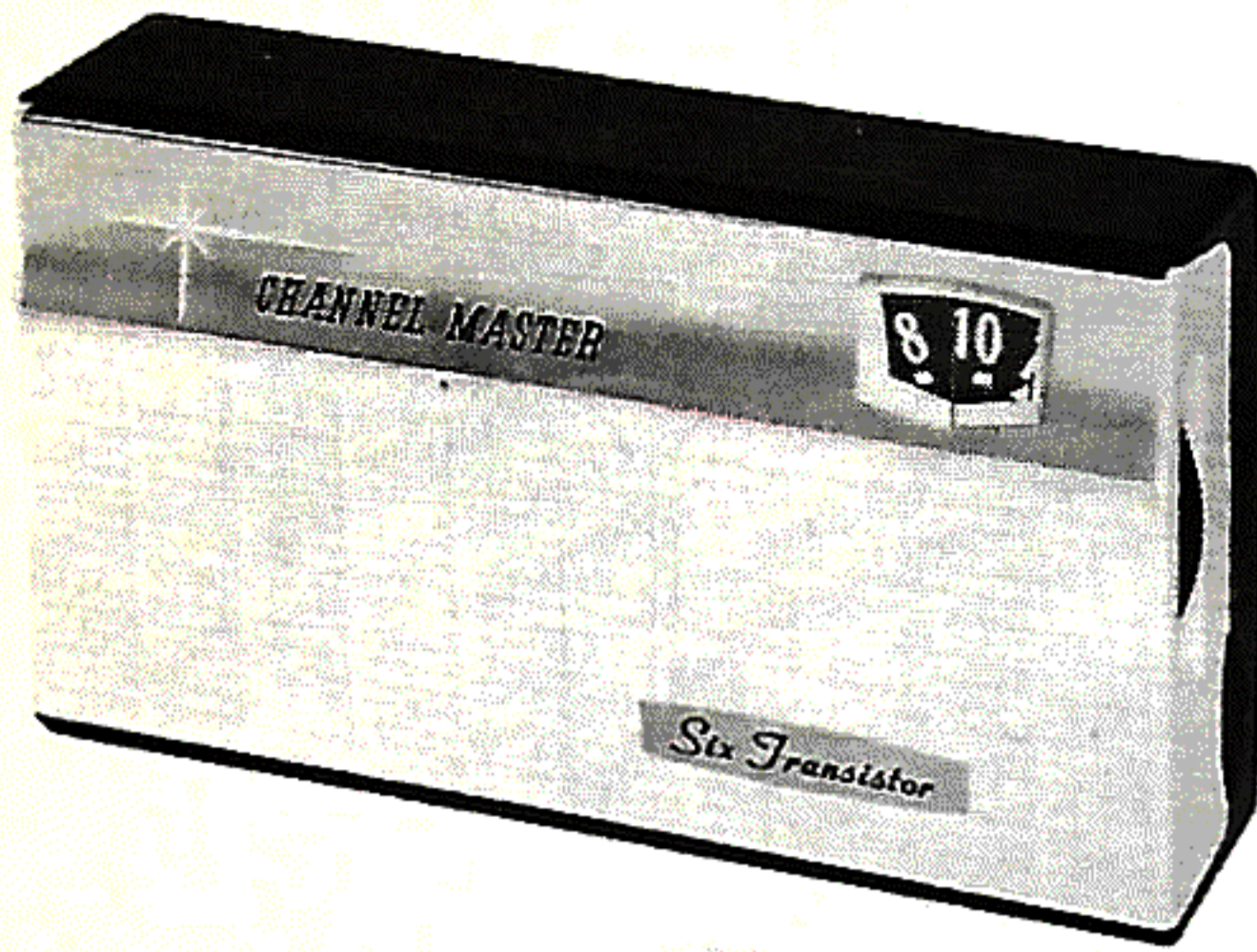


# PHOTOFACT<sup>®</sup> with

# CIRCUITRACE<sup>®</sup>



Met dank aan Jef Bos

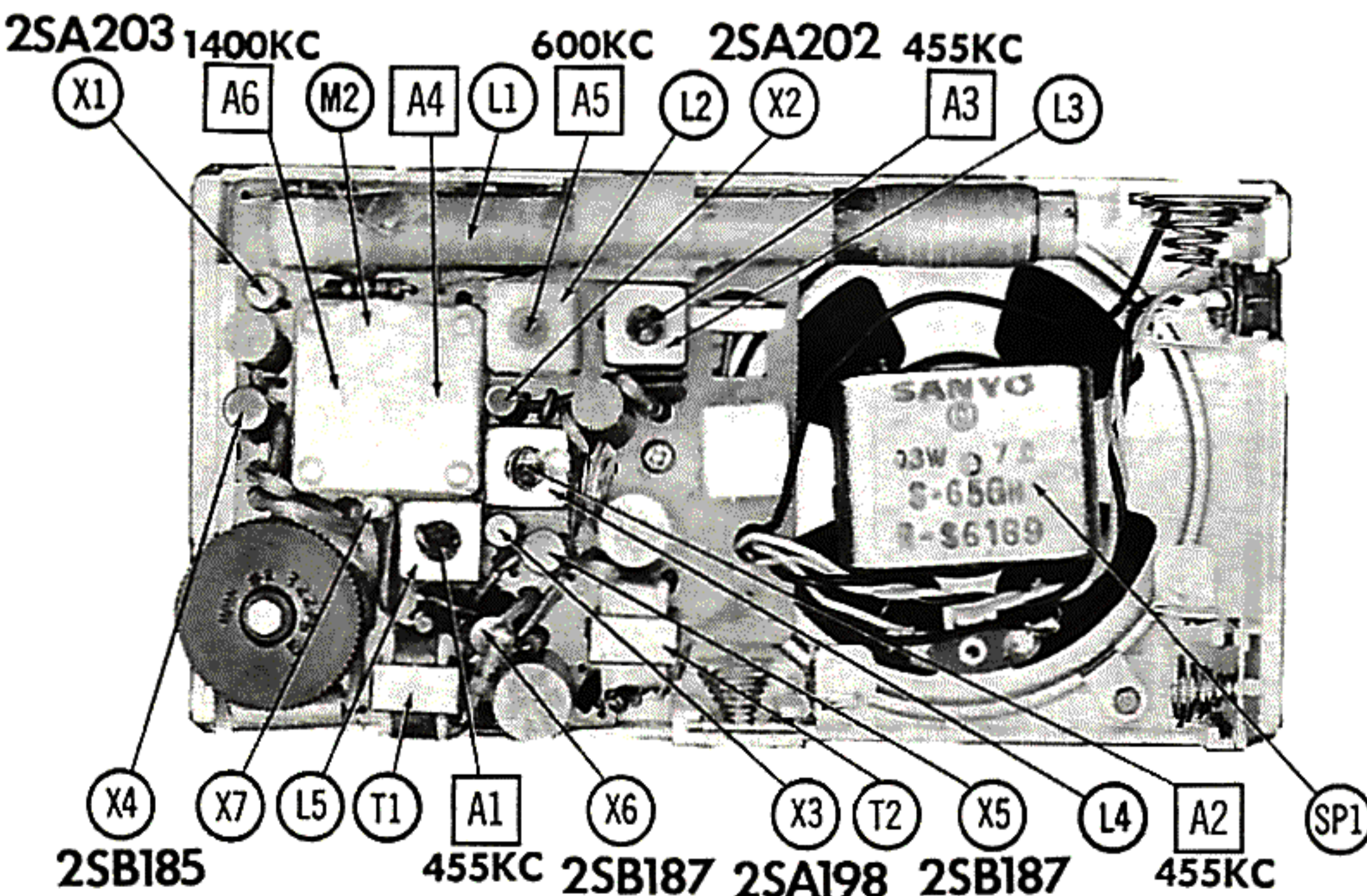
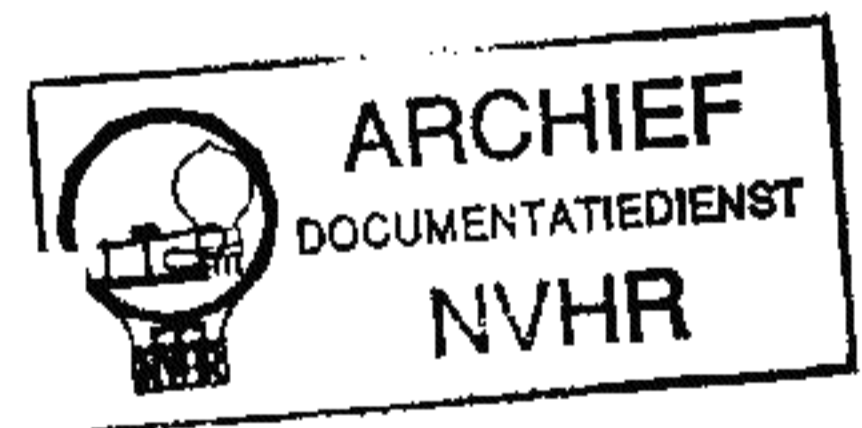
TRADE NAME: Channel Master Model 6528  
 SUPPLIER: Channel Master Corp., Ellenville, N. Y.  
 TYPE SET: 6 Transistor AM Receiver  
 POWER SUPPLY: 4.5 Volts DC  
 RATING: 8 MA @ 4.5VDC (No Signal, Min. Volume)  
 12MA @ 4.5 VDC (Signal, Normal Volume)  
 TUNING RANGE: BROADCAST 540 - 1650KC

## ALIGNMENT INSTRUCTIONS

Check for specified source voltage.  
 Fashion loop of several turns of wire and connect generator across loop.  
 Adjust output of generator to radiate only enough signal into receiver to obtain a suitable indication.  
 Suggested Alignment Tools:  
 A1, A2, A3.....GENERAL CEMENT #5087, 8282, 8606.... WALSCO #2526, 2543  
 A4, A6.....GENERAL CEMENT #5000, 5066, 8290.... WALSCO #2512, 2525, 2528

	SIGNAL GENERATOR FREQUENCY	RADIO DIAL SETTING	INDICATOR	ADJUST	REMARKS
1.	455KC (400% Mod.)	Tuning gang fully open.	Output Meter across voice coil.	A1, A2, A3	Adjust for maximum. Repeat as required.
2.	1650KC	"	"	A4	Adjust for maximum.
3.	600KC	Tune to Signal.	"	A5	Rock tuning gang and adjust for maximum. Repeat steps 2 and 3.
4.	1400KC	"	"	A6	Adjust for maximum.

Ned. Ver. v. Historie v/d Radio



**HOWARD W. SAMS & CO., INC.** Indianapolis 6, Indiana

## WIRING DATA

General-use Unshielded Hook-up Wire ..... Use BELDEN No. 8530 (Solid 22AWG) Available in 12 Colors  
 8524 (Stranded 22AWG)  
 8570 (Stranded 26AWG)

## TRANSISTORS

ITEM No.	ORIG. TYPE	USE	REPLACEMENT DATA			NOTES
			DELCO PART No.	GENERAL ELECTRIC PART No.	RCA PART No.	
X1	2SA203①	Converter	DS-25			PNP
X2	2SA202②	1st IF Amplifier	DS-25			PNP
X3	2SA198③	2nd IF Amplifier	DS-25			PNP
X4	2SB185	Driver			2N406	PNP
X5	2SB187	Output			2N408	PNP
X6	2SB187	Output			2N408	PNP

① Alternate Type 2SA182.

② Alternate Type 2SA180.

③ Alternate Type 2SA197.

## POWER RECTIFIERS &amp; SIGNAL DIODES

ITEM No.	MEASURED CURRENT	ORIGINAL Part or Type No.	RECTIFIERS			NOTES
			MALLORY PART No.	RCA PART No.	SARKES TARZIAN PART No.	
X7		F136				Detector (1N60)

## ELECTROLYTIC CAPACITORS

ITEM No.	RATING		Channel Master PART No.	REPLACEMENT DATA					
	CAP.	VOLT.		AEROVOX PART No.	CORNELL-DUBILIER PART No.	GENERAL ELECTRIC PART No.	GENERAL INSTRUMENT PART No.	MALLORY PART No.	SPRAGUE PART No.
C1	30	3	A046	BCD3025	ECPB412	MT1-13			
C2	5	6	A010	BCD6005	ECPB405	MT1-3			TE-1084
C3	5	6	A010	BCD6005	ECPB405	MT1-3			TE-1084
C4	30	3	A046	BCD3025	ECPB412	MT1-13			
C5	50	9	A031		NLW50-15	MT1-16			
C6	120	6	A023						

## FIXED CAPACITORS

ITEM No.	RATING	REMARKS	REPLACEMENT DATA					
			AEROVOX PART No.	CENTRALAB PART No.	CORNELL-DUBILIER PART No.	ELMENCO PART No.	MALLORY PART No.	SPRAGUE PART No.
C7	3		NPO-DI 3.0	DTZ-3R3	C10V3C	CCTO-3R3	CNO-533	10TCC-V30
C8	.004		TTD-005	CK-502	H1		TA-250	TG-D50
C9	.01		TTD-01	CK-103	H2		TA-110	TG-S10
C10	.04		TTD-05	CK-503	H5		TA-150	TG-S50
C11	.04		TTD-05	CK-503	H5		TA-150	TG-S50
C12	16		NPO-DI 15	DTZ-15	C10Q15C	CCTO-150	CNO-415	10TCC-Q15
C13	.04		TTD-05	CK-503	H5		TA-150	TG-S50
C14	.02		TTD-02	CK-203	H3		TA-120	TG-S20
C15	13		NPO-DI 15	DTZ-15	C10Q15C	CCTO-150	CNO-415	10TCC-Q15
C16	.01		TTD-01	CK-103	H2		TA-110	TG-S10
C17	.02		TTD-02	CK-203	H3		TA-120	TG-S20
C18	.04		TTD-05	CK-503	H5		TA-150	TG-S50

## CONTROLS

All wattages 1/2 watt, or less, unless otherwise listed.

ITEM No.	USE	RESISTANCE	REPLACEMENT DATA				
			Channel Master PART No.	CENTRALAB PART No.	CLAROSTAT PART No.	CTS-IRC PART No.	MALLORY PART No.
R1	Volume & Switch	5000Ω	E059				
R2	AGC Adj.	100K	E062				

# DESCRIPTION

## COMPONENT COMBINATIONS

ITEM No.	USE	DESCRIPTION	Channel Master PART No.	REPLACEMENT DATA
K1	AVC Filter	.002mfd, .002mfd, 220K		

## COILS (RF II)

ITEM No.	USE	REPLACEMENT DATA					NOTES
		Channel Master PART No.	MERIT PART No.	WHIEN PART No.	HEATH CO PART No.	WESTMAN PART No.	
L1	Loopstick	E001					
L2	Osc.	E000					
L3	1st IF	C010	1M 874	5100	111 0000		
L4	2nd IF	C011	1M 870	5101	111 0001		
L5	3rd IF	C057	1M 870	5100	111 0000		

## TRANSFORMER (DRIVER)

ITEM No.	TURNS RATIO		Channel Master PART No.	REPLACEMENT DATA				NOTES
	PRI.	SEC.		MERIT PART No.	STANCOR PART No.	THORDARSON PART No.	TRIAD PART No.	
T1	1.1	1	C080			TR-30		

## TRANSFORMER (AUDIO OUTPUT)

ITEM No.	IMPEDANCE		Channel Master PART No.	REPLACEMENT DATA				NOTES
	PRI.	SEC.		MERIT PART No.	STANCOR PART No.	THORDARSON PART No.	TRIAD PART No.	
T2	125Ω CT	8-8Ω	C087					

## SPEAKER

ITEM No.	TYPE	REPLACEMENT DATA		NOTES
		Channel Master PART No.	QUAM PART No.	
SP1	2 1/2" PM 8-8Ω	G104		

## BATTERIES

ITEM No.	VOLTAGE	Channel Master PART No.	REPLACEMENT DATA			NOTES
			BURGESS	EVEREADY	MALLORY	
M1	4.5		930 (or AL-9, Hg-9)	1015 (or E91, E9)	M-15R (or MN1500, ZM-9)	3 Required

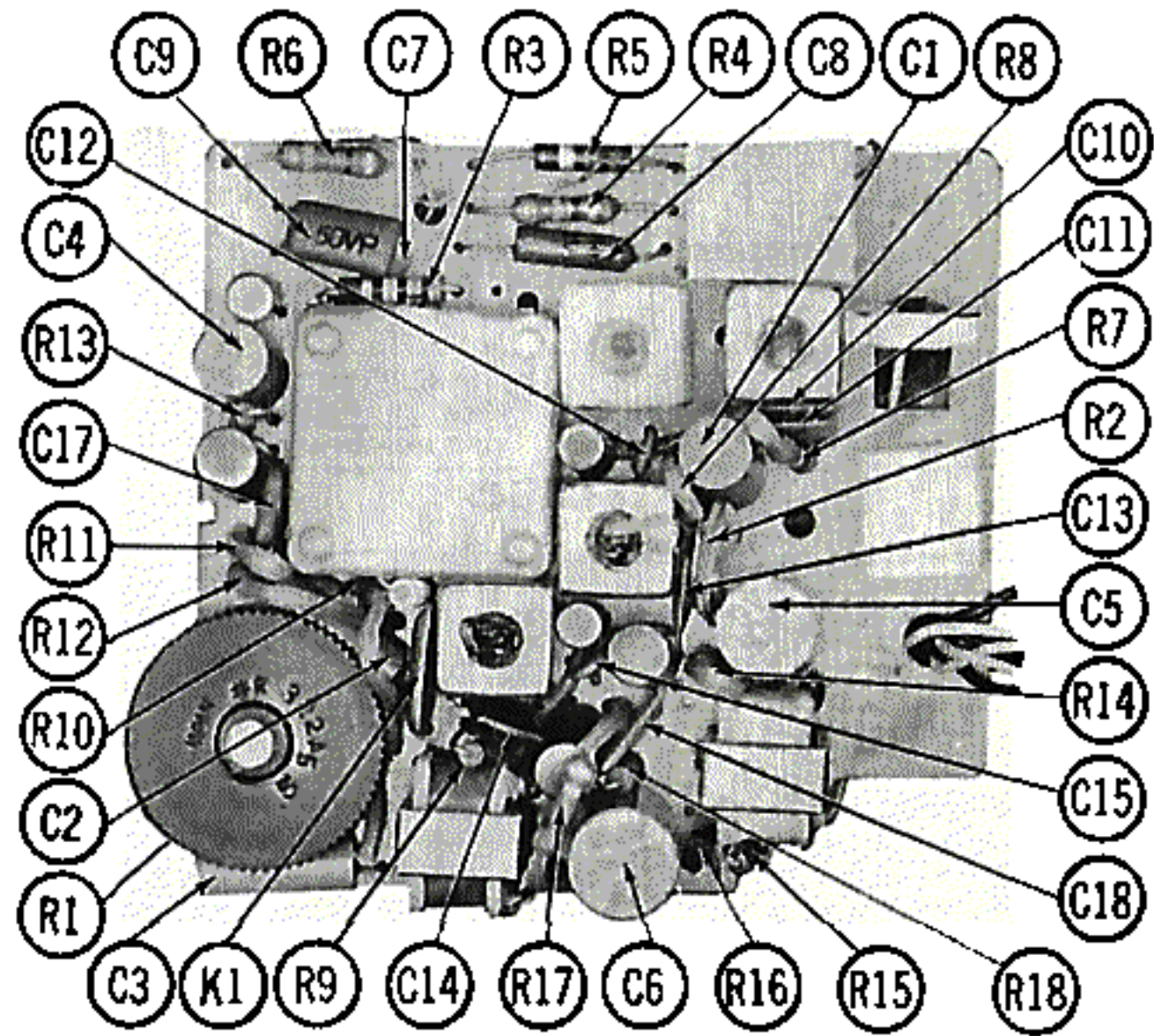
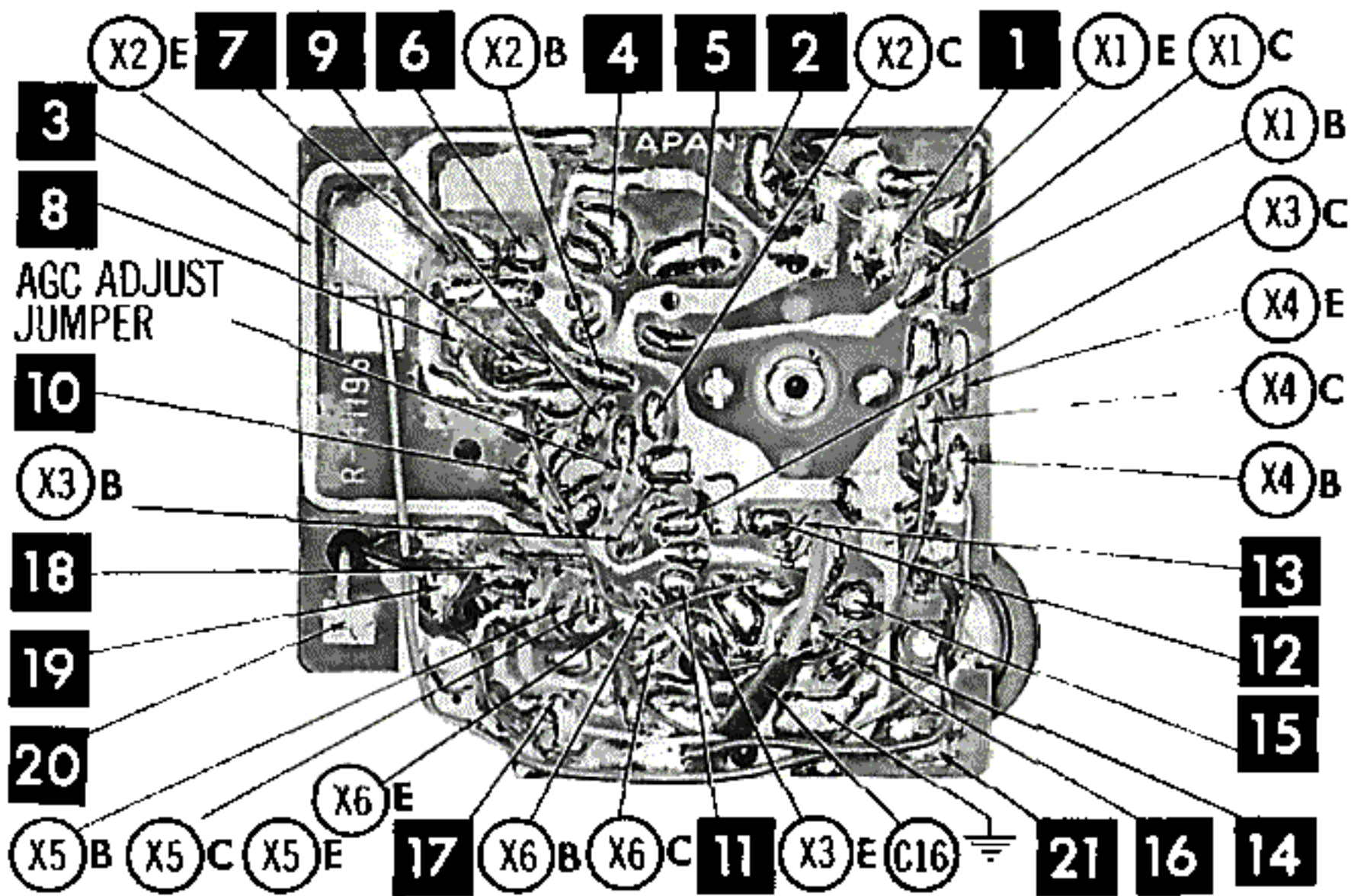
## MISCELLANEOUS

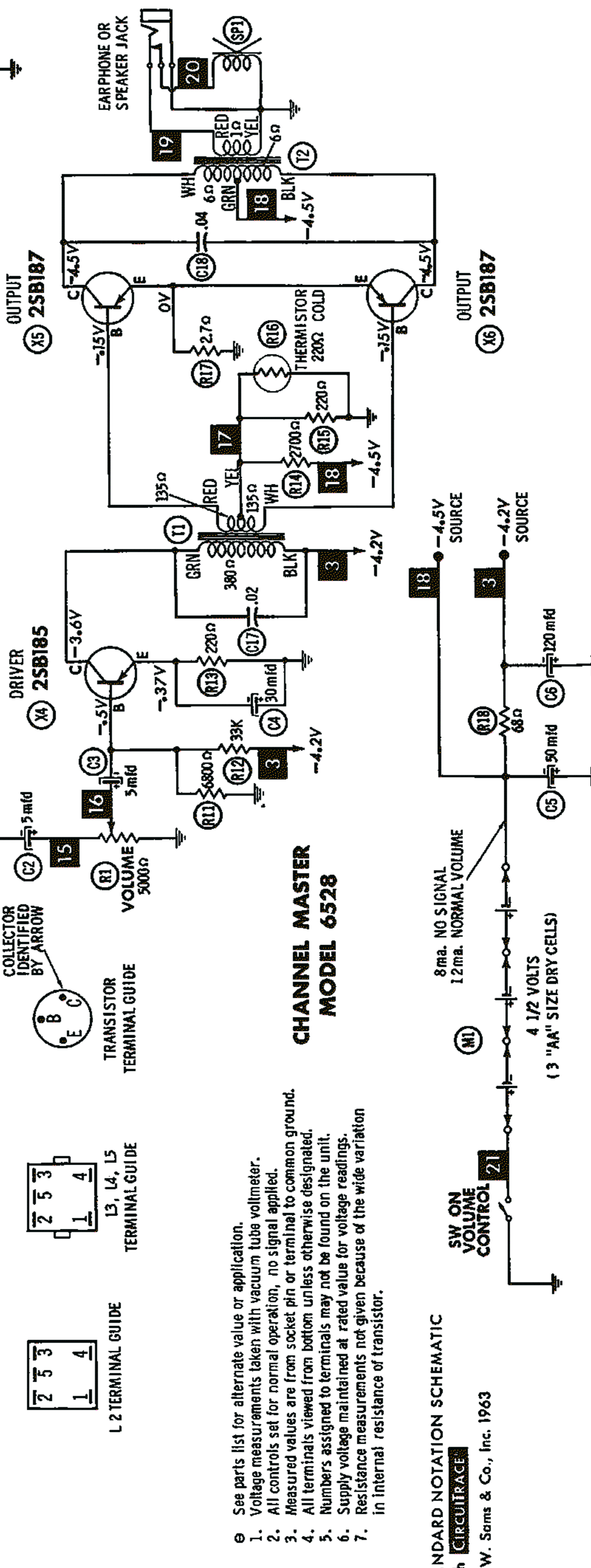
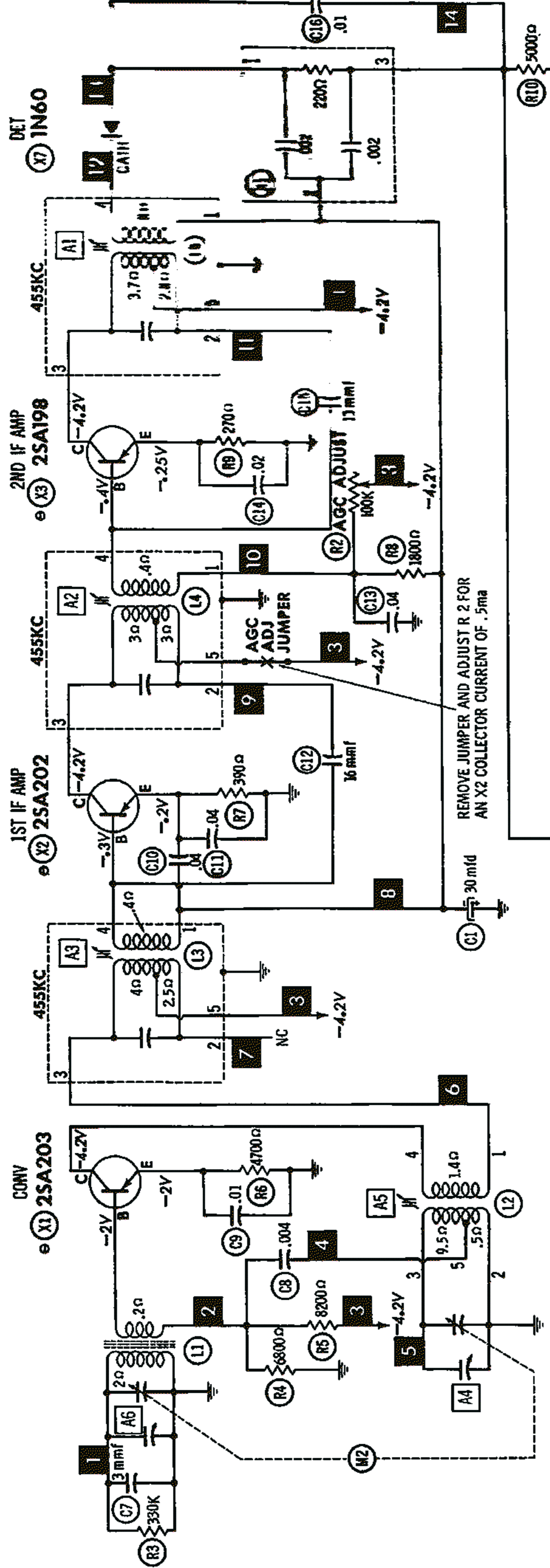
ITEM No.	PART NAME	Channel Master PART No.	NOTES
M2	Tuning Cap.	A157	

## CABINETS & CABINET PARTS

(When Ordering Specify Model, Chassis & Color)

ITEM	PART No.	ITEM	PART No.
Knob - Tuning	F323	Cabinet Back - Black	G043
Knob - Volume	F040	Cabinet Back - Red	G044
Cabinet Front	G042		





### CHANNEL MASTER MODEL 6528

- ⊕ See parts list for alternate value or application.
- 1. Voltage measurements taken with vacuum tube voltmeter.
- 2. All controls set for normal operation, no signal applied.
- 3. Measured values are from socket pin or terminal to common ground.
- 4. All terminals viewed from bottom unless otherwise designated.
- 5. Numbers assigned to terminals may not be found on the unit.
- 6. Supply voltage maintained at rated value for voltage readings.
- 7. Resistance measurements not given because of the wide variation in internal resistance of transistor.

A PHOTOFAC STANDARD NOTATION SCHEMATIC  
with **CIRCUITAGE**

©Howard W. Sams & Co., Inc. 1963