

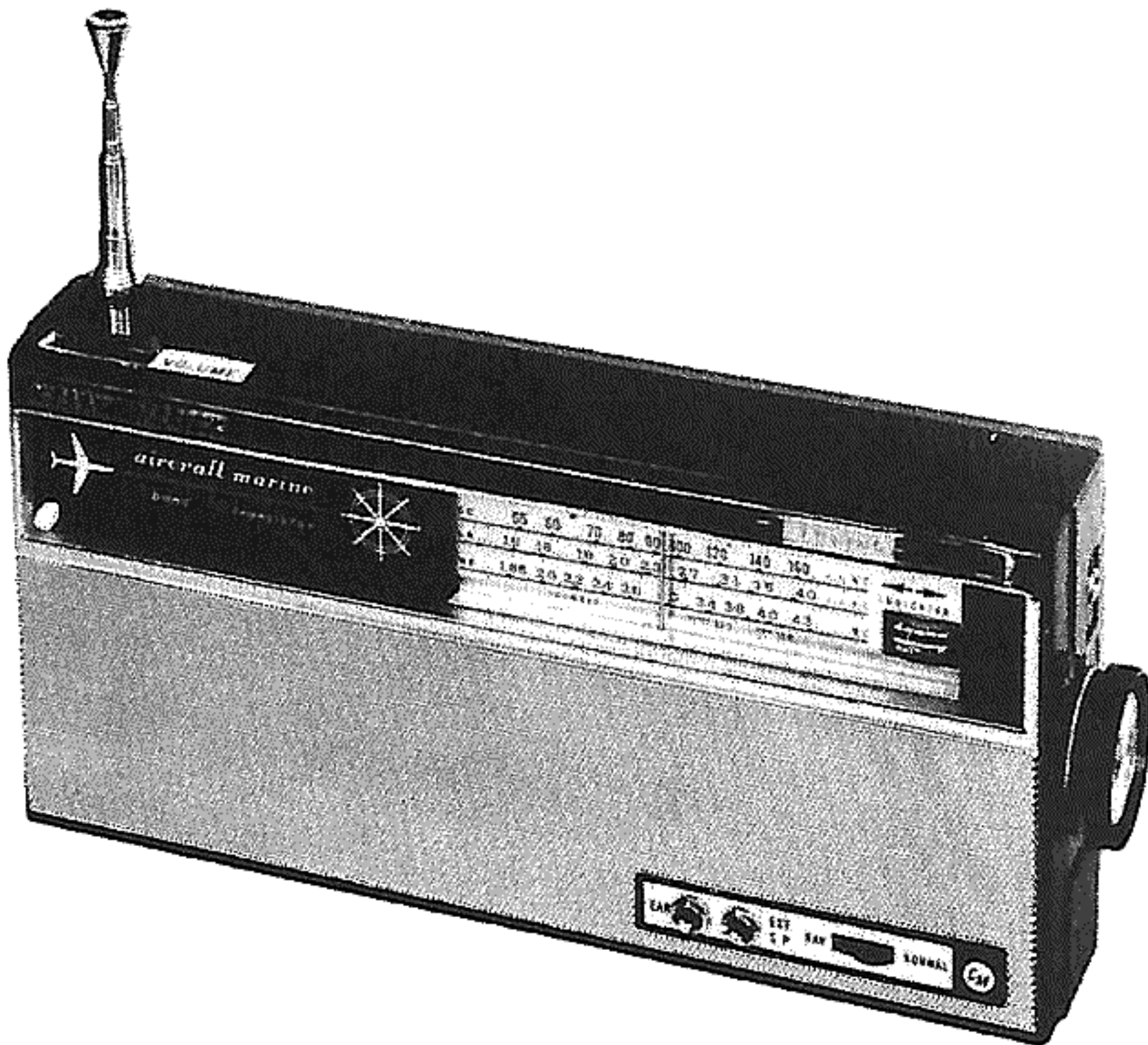
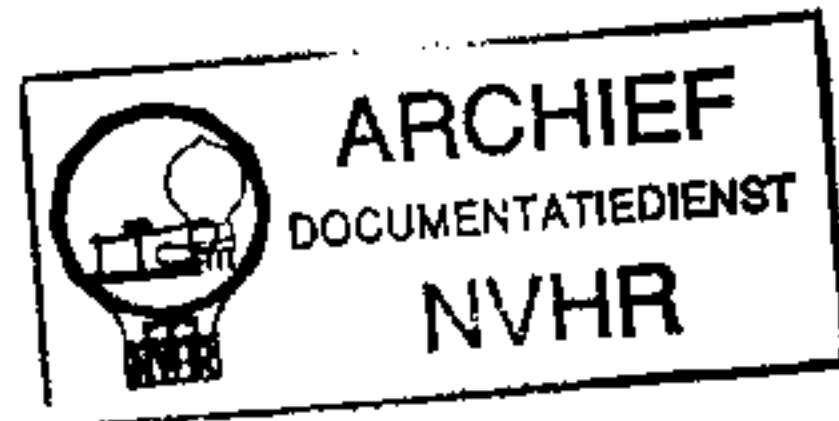
PHOTOFACT® Folder

with CIRCUITRACE®

CHANNEL MASTER MODEL 6519

Met dank aan Jef Bos

Ned. Ver. v. Historie v/d Radio



TRADE NAME	Channel Master 6519		
SUPPLIER	Channel Master Corp., Ellenville, N. Y.		
TYPE SET	Battery Operated 10 Transistor Portable BC-LW-SW Receiver		
POWER SUPPLY	6 Volts DC	RATING	9MA @ 6 Volts DC (No Signal, Min. Volume)
TUNING RANGE - BROADCAST	540 - 1620KC		16MA @ 6 Volts DC (Signal, Normal Volume)
	LONG WAVE 150-400KC	MARINE BAND	1.85 - 4.3MC

ALIGNMENT INSTRUCTIONS

Volume control should be at maximum position. Output of signal generator should be no higher than necessary to obtain an output reading. Selector switch as indicated.
Suggested Alignment Tools: A1 thru A12....GENERAL CEMENT #9089, 8276, 5066

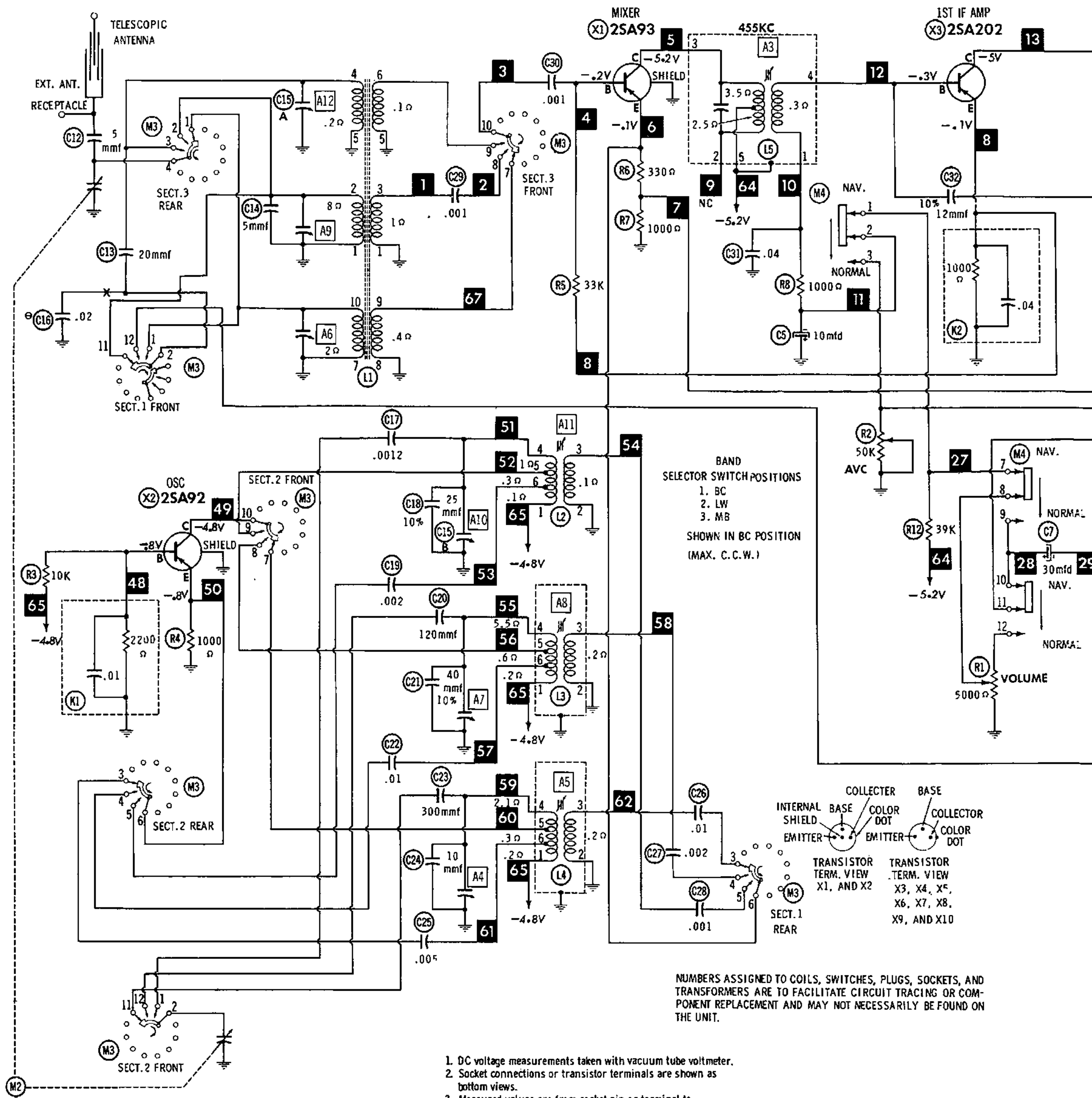
	SIGNAL GENERATOR COUPLING	SIGNAL GENERATOR FREQUENCY	RADIO DIAL SETTING	INDICATOR	ADJUST	REMARKS
1.	Fashion loop of several turns of wire and radiate signal into loop of receiver.	455KC (Unmod.)	(BC) Tuning gang fully open.	DC probe of VTVM to point Δ , common to ground.	A1, A2, A3	Adjust for maximum deflection.
2.	"	1620KC	"	"	A4	"
3.	"	600KC	600KC	"	A5	Adjust for maximum deflection while rocking gang. Repeat step 2.
4.	"	1400KC	1400KC	"	A6	Adjust for maximum deflection.
5.	"	400KC	(LW) 400KC	"	A7	"
6.	"	180KC	180KC	"	A8	Adjust for maximum deflection while rocking gang. Repeat step 5.
7.	"	380KC	380KC	"	A9	Adjust for maximum output.
8.	"	4.3MC	(MB) 4.3MC	"	A10	" "
9.	"	2.2MC	2.2MC	"	A11	Adjust for maximum deflection while rocking gang. Repeat step 8.
10.	"	3.8MC	3.8MC	"	A12	Adjust for maximum deflection.

HOWARD W. SAMS & CO., INC. Indianapolis 6, Indiana

The listing of any available replacement part herein does not constitute in any case a recommendation, warranty or guaranty by Howard W. Sams & Co., Inc., as to the quality and suitability of such replacement part. The numbers of these parts have been compiled from information furnished to Howard W. Sams & Co., Inc., by the manufacturers of the particular type of replacement

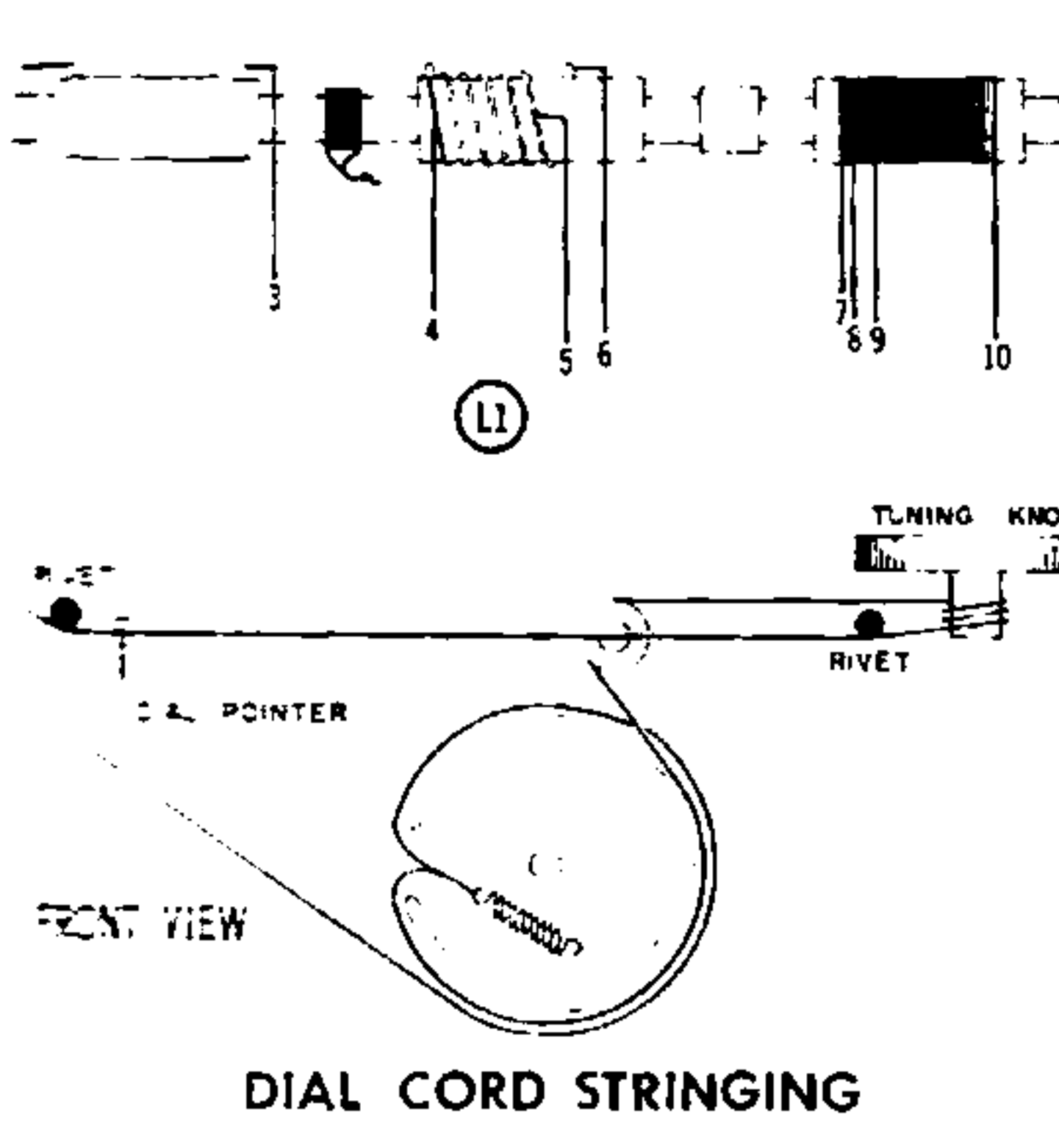
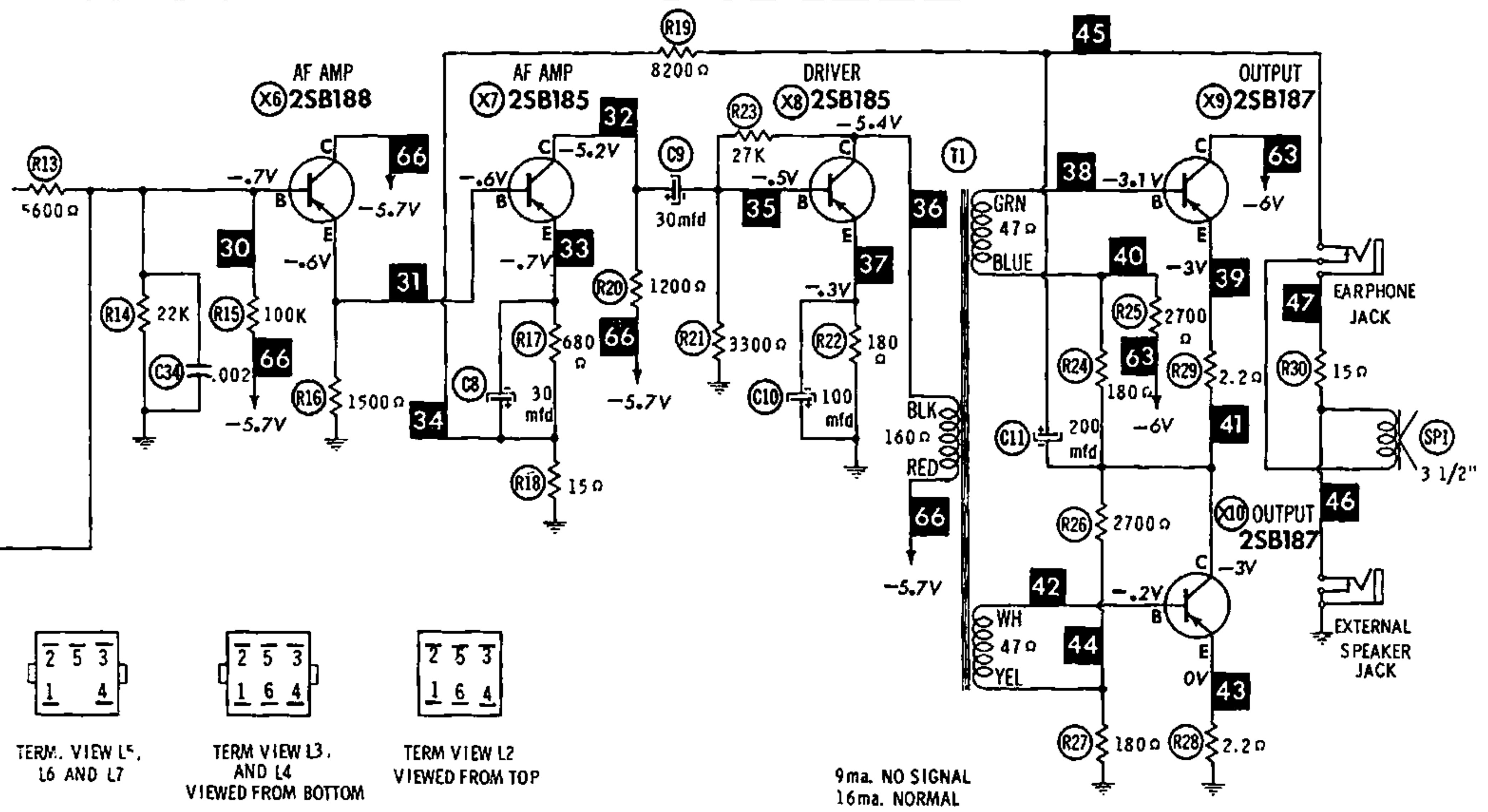
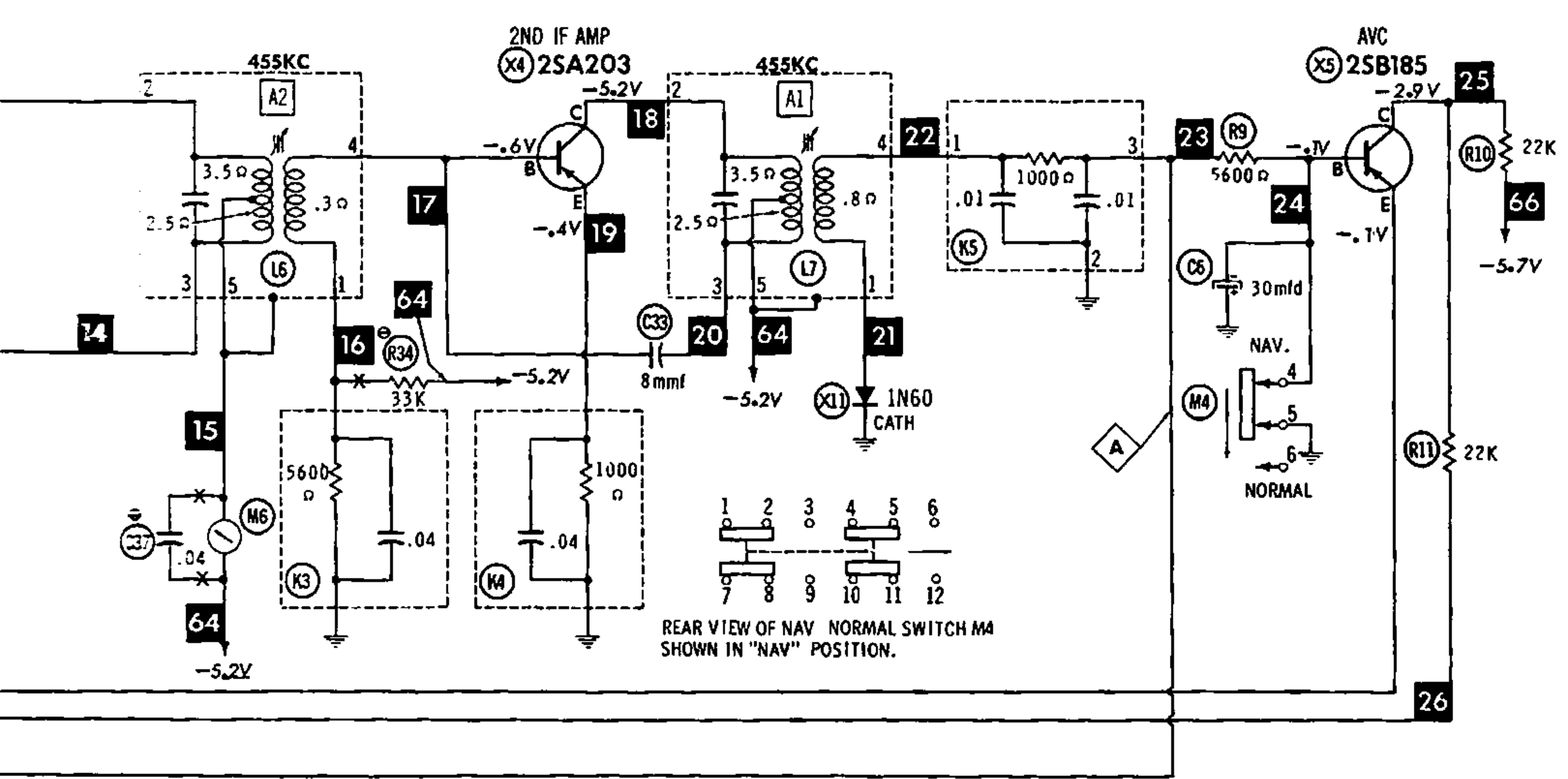
part listed. Reproduction or use, without express permission, of editorial or pictorial content, in any manner, is prohibited. No patent liability is assumed with respect to the use of the information contained herein. ©1963 Howard W. Sams & Co., Inc., Indianapolis 6, Indiana.

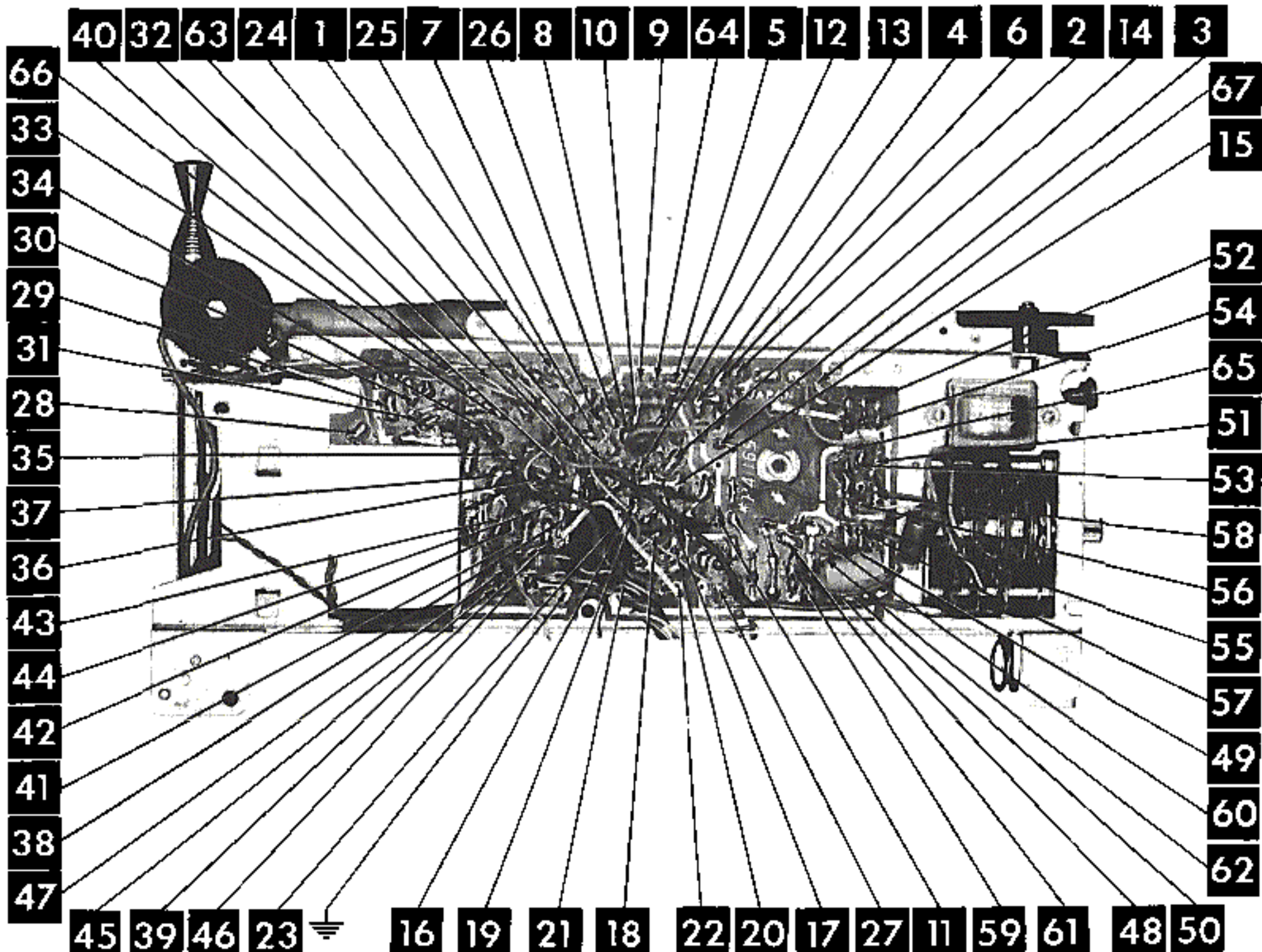
Printed in U.S. of America

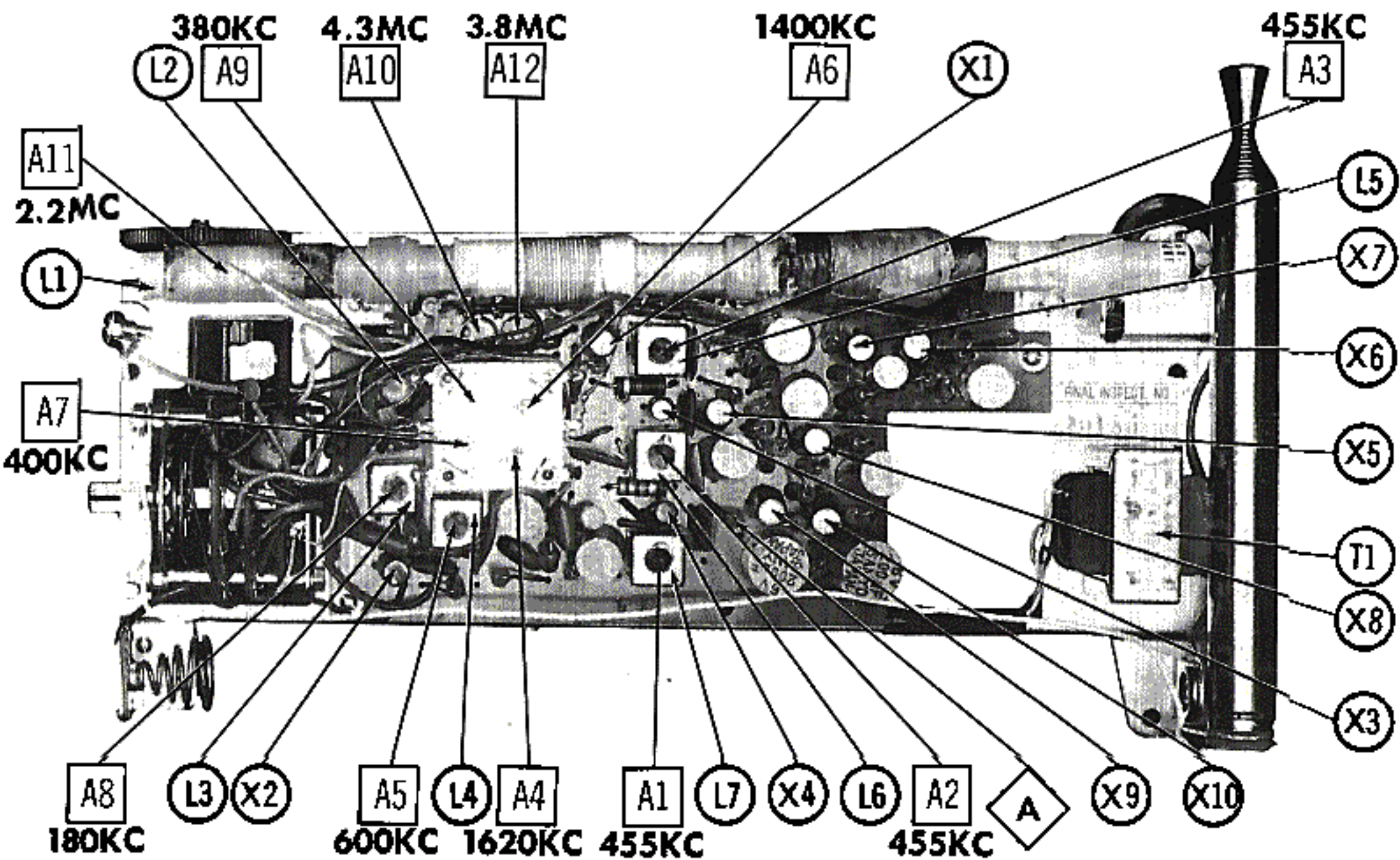


SEE PARTS LIST FOR ALTERNATE VALUE OR APPLICATION

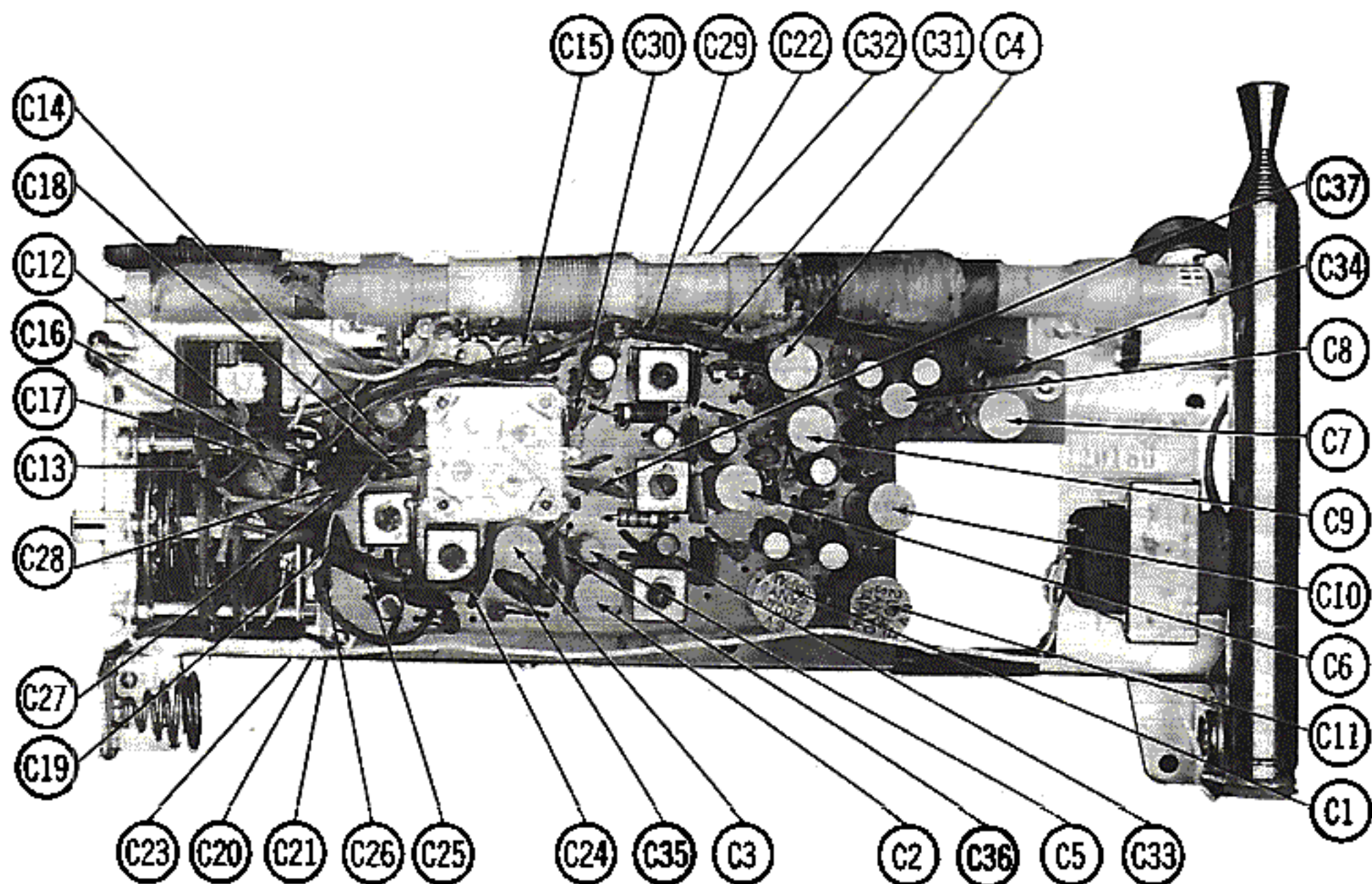
A PHOTOFACIT STANDARD NOTATION SCHEMATIC with **CIRCUITRACE**



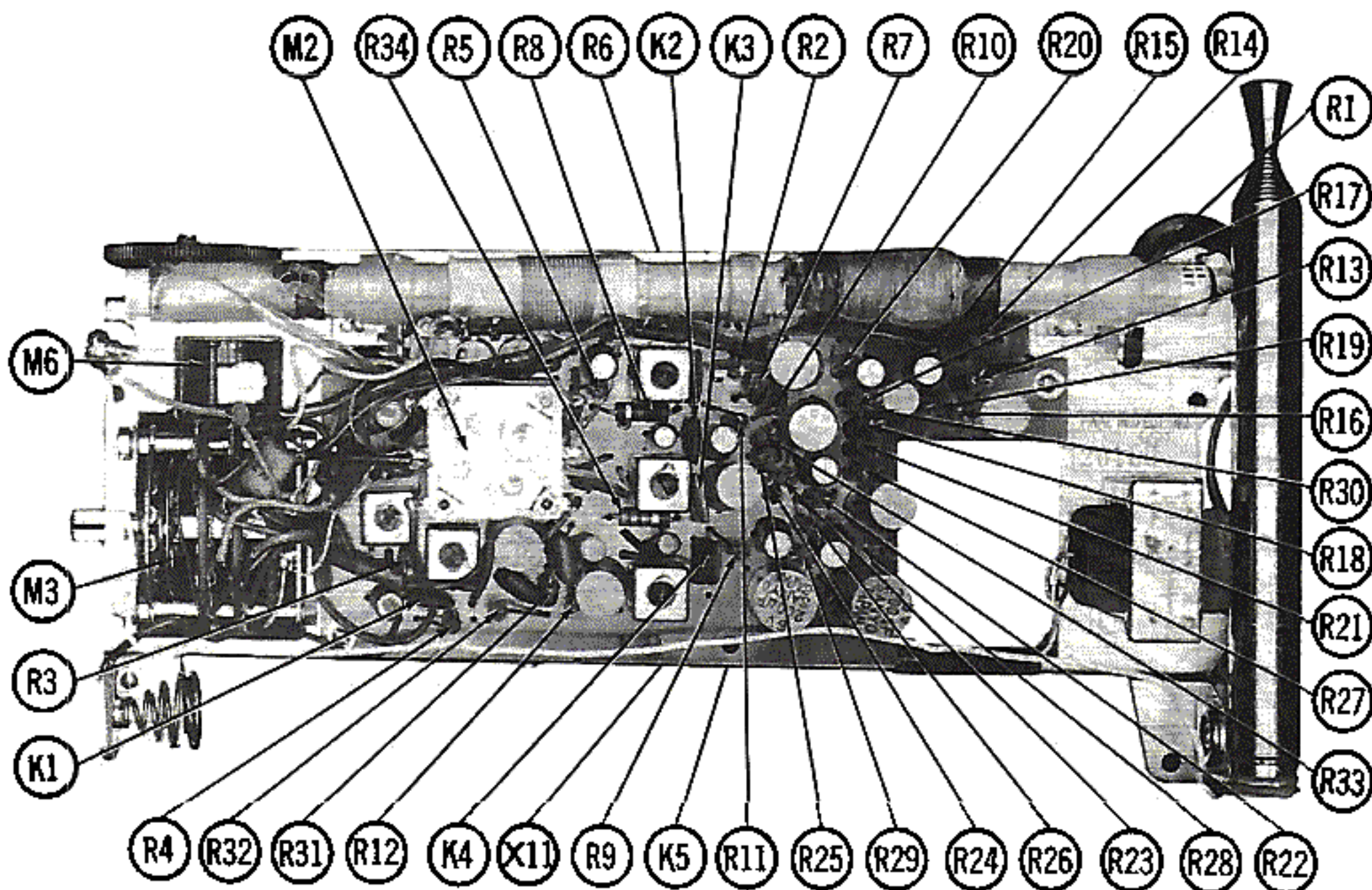




CHASSIS TOP VIEW - ALIGNMENT, INDUCTOR & TRANSISTOR IDENT



CHASSIS TOP VIEW - CAPACITOR IDENT.



CHASSIS TOP VIEW - RESISTOR & MISC. IDENT.

PARTS LIST AND DESCRIPTION

WIRING DATA

General-use Unshielded Hook-up Wire	Use BELDEN No. 8530 (Solid 22AWG)	Available in 12 Colors
	8524 (Stranded 22AWG)	
	8570 (Stranded 26AWG)	

TRANSISTORS

ITEM No.	ORIG. TYPE	USE	REPLACEMENT DATA			NOTES
			DELCO PART No.	GENERAL ELECTRIC PART No.	RCA PART No.	
X1	2SA93	Mixer	DS25	GE-1		PNP
X2	2SA92	Oscillator	DS25	GE-1		PNP
X3	2SA202	1st IF Amplifier	DS25	GE-1		PNP
X4	2SA203	2nd IF Amplifier	DS25	GE-1		PNP
X5	2SB185	AVC Amplifier	DS26	GE-2	2N406	PNP
X6	2SB188	AF Amplifier	DS26	GE-2	2N406	PNP
X7	2SB185	AF Amplifier	DS26	GE-2	2N406	PNP
X8	2SB185	Driver	DS26	GE-2	2N408	PNP
X9	2SB187	Output	DS26	GE-2	2N270	PNP
X10	2SB187	Output	DS26	GE-2	2N270	PNP

POWER RECTIFIERS & SIGNAL DIODES

ITEM No.	CURRENT RATING (Measured)	ORIGINAL Part or Type No.	RECTIFIERS		DIODES	NOTES
			RCA PART No.	SARKES TARZIAN PART No.		
X11		F136				Detector (1N60)

ELECTROLYTIC CAPACITORS

ITEM No.	RATING		Channel Master PART No.	REPLACEMENT DATA					
	CAP.	VOLT.		AEROVOX PART No.	CORNELL-DUBILIER PART No.	GENERAL ELECTRIC PART No.	MALLORY PART No.	PYRAMID PART No.	SPRAGUE PART No.
C1	200	6	A114	BCD6200	ECPB121	MT1-24	TT6X200	MLV200-6	VL-1108
C2	100	6	A029	BCD6100	ECPB117	MT1-18	TT6X100	MLV100-6	VL-1100
C3	100	6	A029	BCD6100	ECPB117	MT1-18	TT6X100	MLV100-6	VL-1100
C4	100	6	A029	BCD6100	ECPB117	MT1-18	TT6X100	MLV100-6	VL-1100
C5	10	3	A038	BCD3010	ECPB408	MT1-5	TT3X10	MLV10-3	VL-1038
C6	30	6	A009	BCD6025	ECPB412	MT1-13	TT6X30	MLV30-6	VL-1090
C7	30	6	A009	BCD6025	ECPB412	MT1-13	TT6X30	MLV30-6	VL-1090
C8	30	3	A046	BCD3025	ECPB412	MT1-13	PET-130	MLV25-3	VL-1041
C9	30	6	A009	BCD6025	ECPB412	MT1-13	TT6X30	MLV30-6	VL-1090
C10	100	6	A029	BCD6100	ECPB117	MT1-18	TT6X100	MLV100-6	VL-1100
C11	200	6	A114	BCD6200	ECPB121	MT1-24	TT6X200	MLV200-6	VL-1108

FIXED CAPACITORS

ITEM No.	RATING	REMARKS	REPLACEMENT DATA						
			AEROVOX PART No.	CENTRALAB PART No.	CORNELL-DUBILIER PART No.	ELMENC0 PART No.	MALLORY PART No.	SPRAGUE PART No.	
C12	5	#E046	DI-5	DD-050	L10V5	CCD-050	GP550	10TS-V50	
C13	20		DI-20	DD-200	L10T2	CCD-200	GP420	10TS-Q20	
C14	5		DI-5	DD-050	L10V5	CCD-050	GP550	10TS-V50	
C15A			Note 1	TTD-02	CK-203	H05S2		TA-120	TG-S20
C16	.02			CI-1200	DD-122	L10D12	CCD-122	GP212	10TS-D12
C17	.0012			DI-25	DD-250	L10Q25	CCD-250	CNO-425	10TS-Q25
C18	25 10%			CI-2000	DD-202	L10D2	CCD-202	GP220	10TS-D20
C19	.002			CI-120	DD-121	L10T12	CCD-121	GP312	10TS-T12
C20	120			DI-40	DD-390	L10Q39	CCD-390	CNO-439	10TS-Q39
C21	40 10%			C80V103AM	CK-103	L105S1		TA-110	TG-S10
C22	.01			CI-300	DD-301	L10T3	CCD-301	GP330	10TS-T30
C23	300			DI-10	DD-100	L10Q1	CCD-100	GP410	10TS-Q10
C24	10			CI-5000	CK-502	H05D5	CCD-502	GP250	TG-D50
C25	.005			C80V103AM	CK-103	H05S1		TA-110	TG-S10
C26	.01	CI-2000		DD-202	L10D2	CCD-202	GP220	10TS-D20	
C27	.002	CI-1000		DD-102	H05D1	CCD-102	GP210	10TS-D10	
C28	.001	CI-1000		DD-102	H05D1	CCD-102	GP210	10TS-D10	
C29	.001	CI-1000	DD-102	H05D1	CCD-102	GP210	10TS-D10		
C30	.001	CI-1000	DD-102	H05D1	CCD-102	GP210	10TS-D10		
C31	.04		CK-503	H-5S5			TG-S50		
C32	12 10%	DI-12	DD-120	L10Q12	CCD-120	GP412	10TS-Q12		
C33	8	DI-8	DD-080	L10V8		GP-580	10TS-V80		
C34	.002	CI-2000	DD-202	L10D2	CCD-202	GP220	10TS-D20		
C35	.04		CK-503	H05S5			TG-S50		
C36	.05		CK-503	H05S5			TG-S50		
C37	.04	Note 1	TTD-05	CK-503	H05S5		TG-S50		

Channel Master Part Number.
Note 1. Not used in some versions.

CONTROLS

All wattages 1/2 watt, or less, unless otherwise listed.

ITEM No.	USE	RESISTANCE	REPLACEMENT DATA				
			Channel Master PART No.	CENTRALAB PART No.	CLAROSTAT PART No.	CTS-IRC PART No.	MALLORY PART No.
R1	Volume & Switch	5000Ω	E008				
R2	Bias, AVC	50K	F269				

PARTS LIST AND DESCRIPTION (CONTINUED)

RESISTORS

All wattages 1/2 watt, or less, unless otherwise listed.

ITEM No.	RATING	REPLACEMENT DATA			ITEM No.	RATING	REPLACEMENT DATA		
		IRC PART No.	WORKMAN PART No.	REMARKS			IRC PART No.	WORKMAN PART No.	REMARKS
R3	10K				R19	8200Ω			
R4	1000Ω				R20	1200Ω			
R5	33K				R21	3300Ω			
R6	330Ω				R22	180Ω			
R7	1000Ω				R23	27K			
R8	1000Ω				R24	180Ω			
R9	5600Ω				R25	2700Ω			
R10	22K				R26	2700Ω			
R11	22K				R27	180Ω			
R12	39K				R28	2.2Ω			
R13	5600Ω				R29	2.2Ω			
R14	22K				R30	15Ω			
R15	100K				R31	820Ω			
R16	1500Ω				R32	1000Ω			
R17	680Ω				R33	100Ω			
R18	15Ω				R34	33K			Note 1

Note 1. Not used in some versions.

COILS (RF-IF)

ITEM No.	USE	REPLACEMENT DATA					NOTES
		Channel Master PART No.	Merit PART No.	Miller PART No.	Stancor PART No.	Workman PART No.	
L1	Loopstick	E04b					
L2	Marine Osc.	F271					
L3	Longwave Osc.	F270					
L4	BC Osc.	F272					
L5	1st IF	C010	BC-574				
L6	2nd IF	C074	BC-575				
L7	3rd IF	C075	BC-576				

TRANSFORMER (DRIVER)

ITEM No.	TURNS RATIO		REPLACEMENT DATA					NOTES
	PRI.	SEC.1	Channel Master PART No.	MERIT PART No.	STANCOR PART No.	THORDARSON PART No.	TRIAD PART No.	
T1	2	1	C073					
		SEC.2						
		1						

SPEAKER

ITEM No.	TYPE			REPLACEMENT DATA		NOTES
	SIZE	FIELD	V. C. IMP.	Channel Master PART No.	QUAM PART No.	
SP1	3½"	PM	18-20Ω	G101		

COMPONENT COMBINATIONS

ITEM No.	USE	DESCRIPTION	Channel Master PART No.	REPLACEMENT DATA
K1	X2 Base Bias	2200Ω, .01mfd	A119	
K2	X3 Emitter Bias	1000Ω, .04mfd	A065	
K3	X4 Base Bias	5600Ω, .04mfd	A120	
X4	X4 Emitter Bias	1000Ω, .04mfd	A065	
K5	Diode RF Filter	1000Ω, .01mfd, .01mfd	A122	

BATTERIES

ITEM No.	VOLTAGE	Channel Master PART No.	REPLACEMENT DATA			NOTES
			BURGESS	EVEREADY	MALLORY	
M1	1½V		130	635	M-14R	4 Required

MISCELLANEOUS

ITEM No.	PART NAME	Channel Master PART No.	NOTES
M2	Tuning Cap.	A117	2 Gang Band Selector (Rotary Wafer Type) Normal-Nav. (2-Position Slide Type) Pilot Lamp Signal Telescoping
M3	Switch	F265	
M4	Switch	F268	
M5	Switch	F266	
M6	Meter	F279	
	Antenna	E044	
	Earphone	E002	

CABINETS & CABINET PARTS

(When Ordering Cabinets & Cabinet Parts, Specify Model, Chassis & Color)

NAME	PART NO.	DESCRIPTION
Dial	F257	Band Selector Tuning Volume Black Red
Dial Pointer	F262	
Knob	F256	
Knob	F259	
Knob	F258	
Cabinet	G031	
Cabinet	G032	