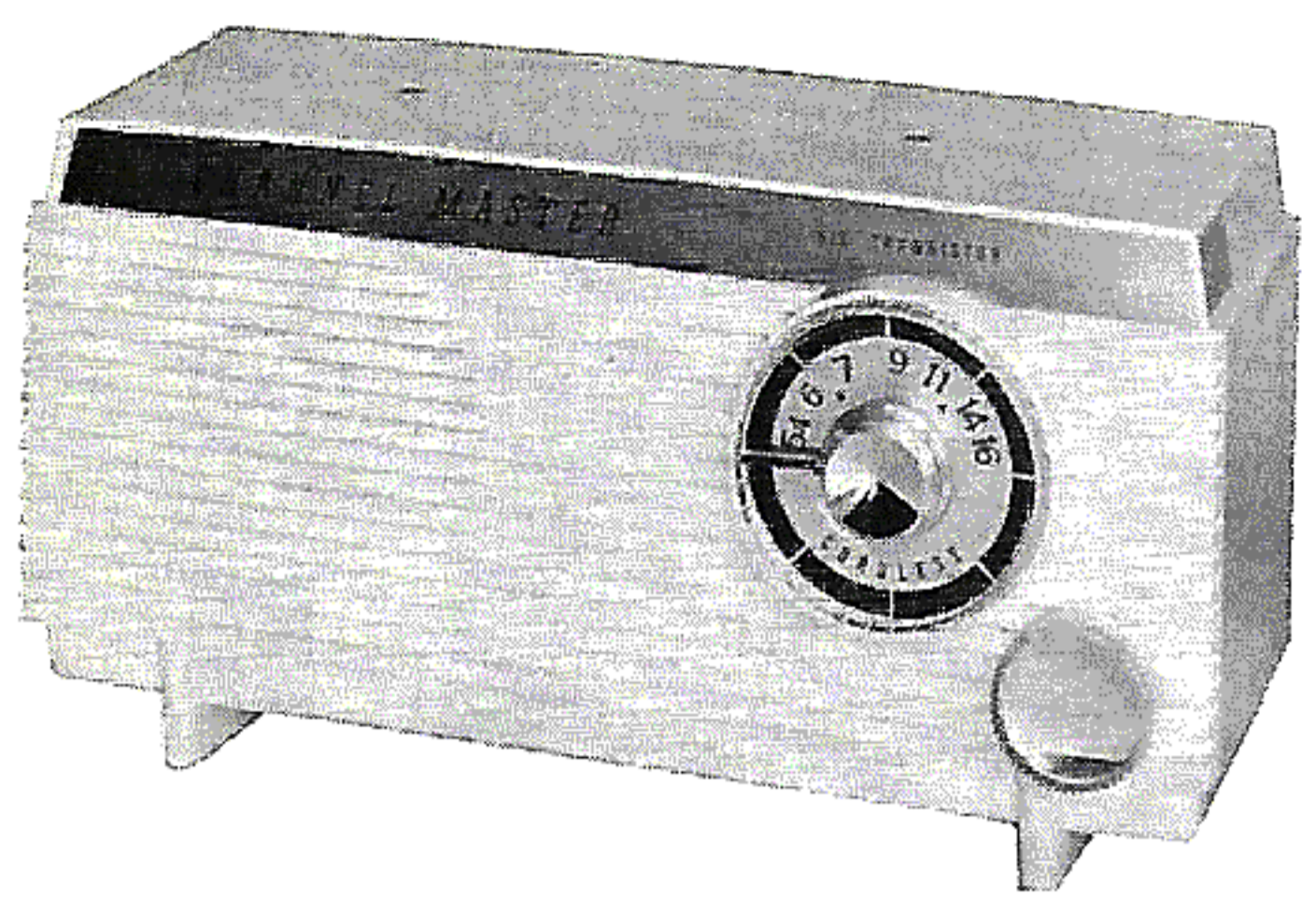
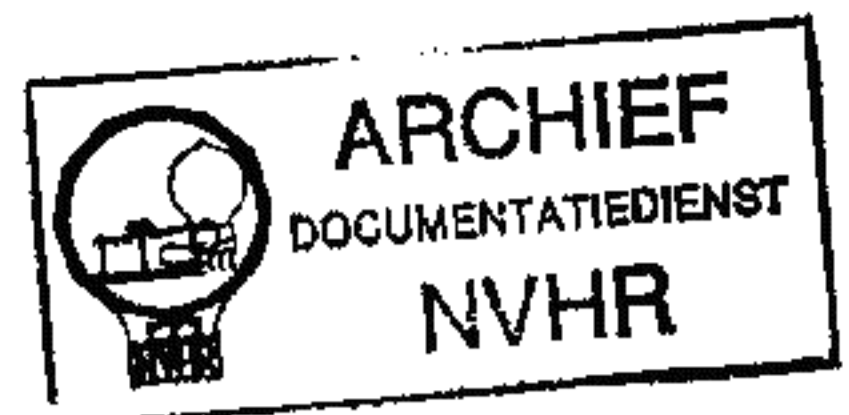




PHOTOFACT[®] with

Met dank aan Jef Bos

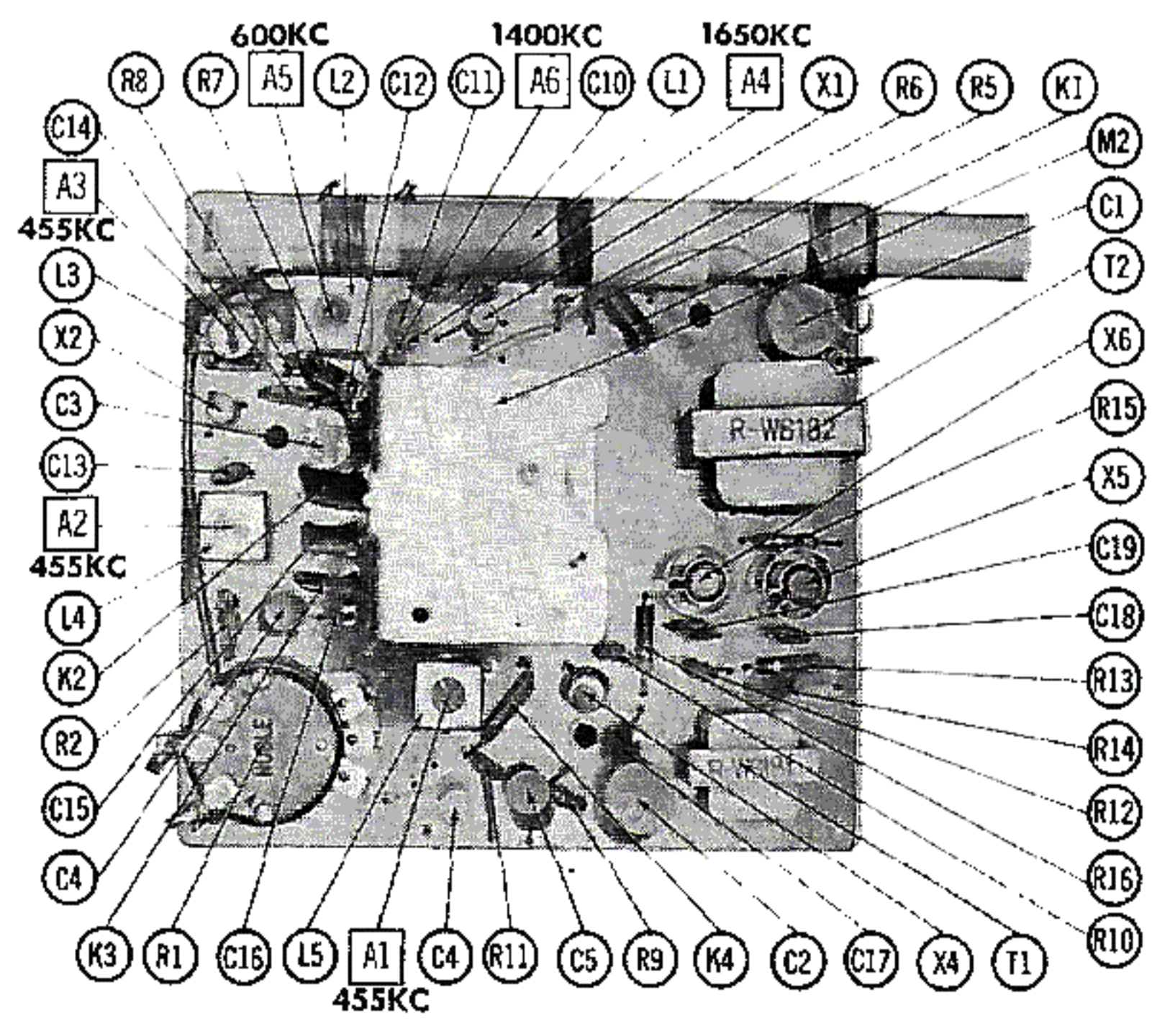


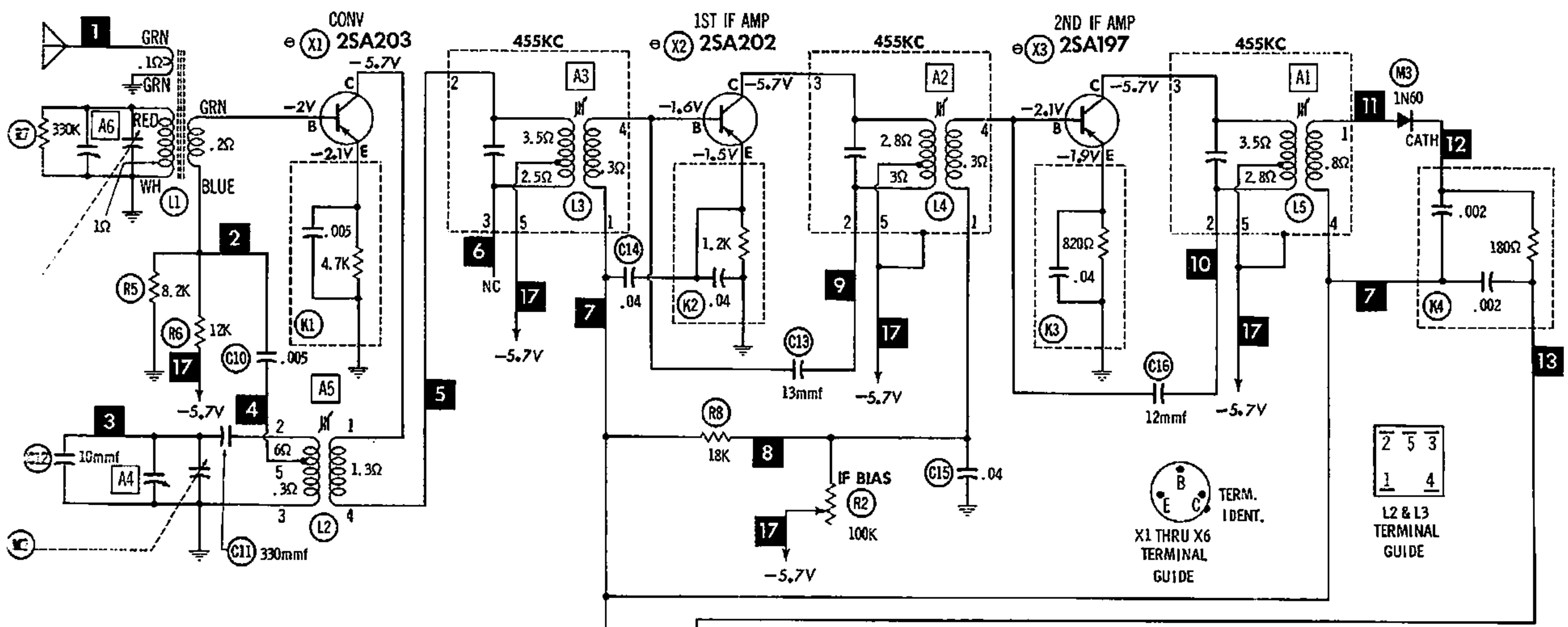
TRADE NAME : Channel Master Model 6500
 SUPPLIER : Channel Master Corp. Ellenville, New York
 TYPE SET : 6 Transistor AM Receiver
 POWER SUPPLY : 6 Volts DC
 RATING : 4MA@6VDC (No Signal, Min. Volume)
 18MA@6VDC (Signal, Normal Volume)
 TUNING RANGE: BROADCAST 540 - 1650KC

ALIGNMENT INSTRUCTIONS

Check for specified source voltage.
 Fashion loop of several turns of wire and connect generator across loop.
 Adjust output of generator to radiate only enough signal into receiver to obtain a suitable indication.
 Suggested Alignment Tools:
 A1, A2, A3, A4, A6..... GENERAL CEMENT #5000, 5066, 8290.... WALSCO #2512, 2525, 2528
 A5..... GENERAL CEMENT #8282, 8606..... WALSCO #2526, 2543

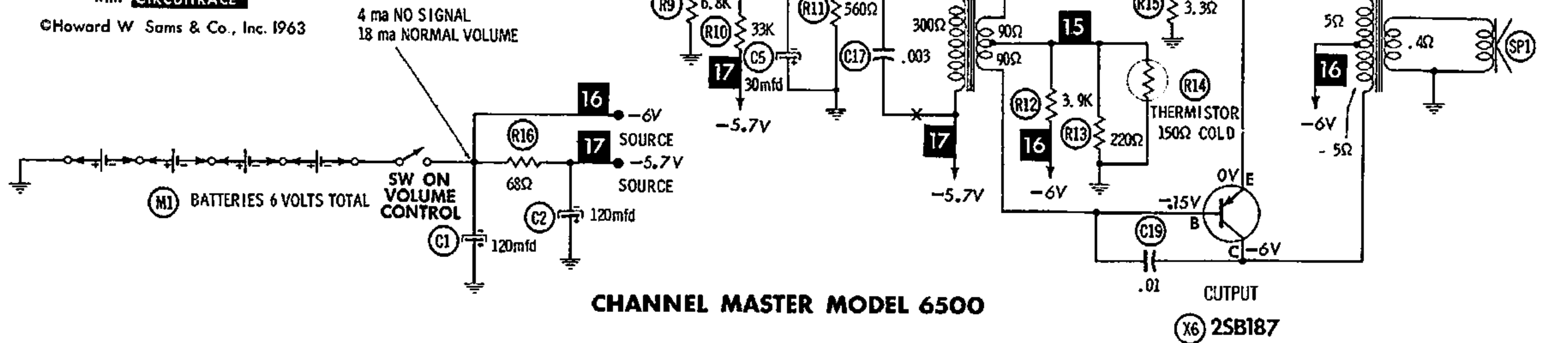
SIGNAL GENERATOR FREQUENCY	RADIO DIAL SETTING	INDICATOR	ADJUST	REMARKS
1. 455KC (400% Mod.)	Tuning gang fully open.	Output Meter across voice coil.	A1, A2, A3	Adjust for maximum. Repeat as required.
2. 1650KC	"	"	A4	Adjust for maximum.
3. 600KC	Tune to Signal.	"	A5	Rock tuning gang and adjust for maximum. Repeat steps 2 and 3.
4. 1400KC	"	"	A6	Adjust for maximum.



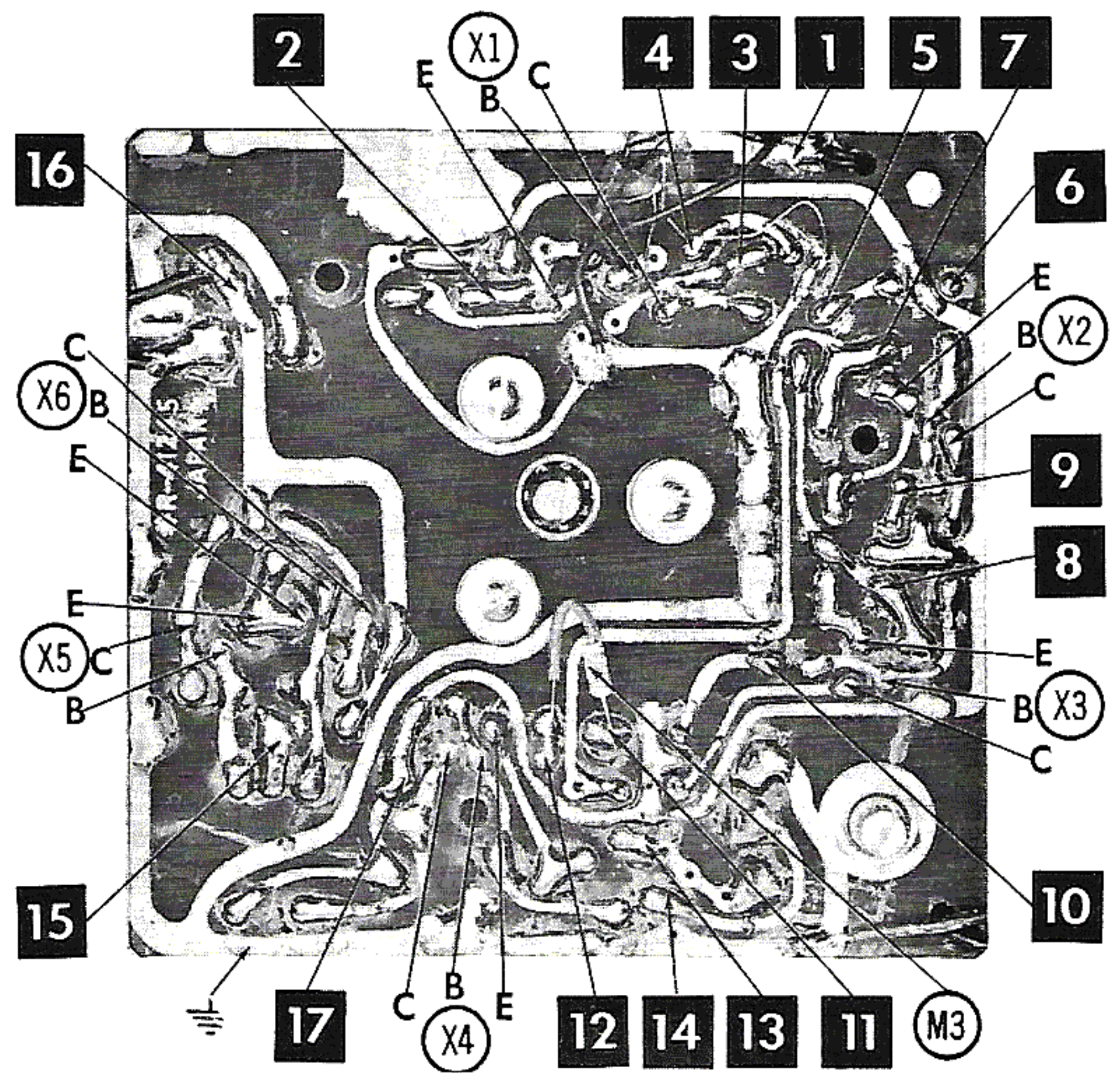


- ⊖ See parts list for alternate value or application.
- 1. Voltage measurements taken with vacuum tube voltmeter.
- 2. All controls set for normal operation, no signal applied.
- 3. Measured values are from socket pin or terminal to common ground.
- 4. All terminals viewed from bottom unless otherwise designated.
- 5. Numbers assigned to terminals may not be found on the unit.
- 6. Supply voltage maintained at rated value for voltage readings.
- 7. Resistance measurements not given because of the wide variation in internal resistance of transistor.

A PHOTOFAC STANDARD NOTATION SCHEMATIC
 with CIRCUITRACE[®]
 ©Howard W Sams & Co., Inc. 1963



CHANNEL MASTER MODEL 6500



TRANSISTORS

ITEM No.	ORIG. TYPE	USE	REPLACEMENT DATA			NOTES
			DELCO PART No.	GENERAL ELECTRIC PART No.	RCA PART No.	
X1	2SA203①	Conv.	DS-25	GE-1		PNP
X2	2SA202②	1st IF Amp.	DS-25	GE-1		PNP
X3	2SA197③	2nd IF Amp.	DS-25	GE-1		PNP
X4	2SB185	Driver	DS-26	GE-2	2N408	PNP
X5	2SB187	Output	DS-26	GE-2	2N408	PNP
X6	2SB187	Output	DS-26	GE-2	2N408	PNP

① Alternate Type 2SA182

② Alternate Type 2SA180

③ Alternate Type 2SA198

ELECTROLYTIC CAPACITORS

ITEM No.	RATING		REPLACEMENT DATA						
	CAP.	VOLT.	Channel Master PART No.	AEROVOX PART No.	CORNELL-DUBILIER PART No.	GENERAL ELECTRIC PART No.	GENERAL INSTRUMENT PART No.	MALLORY PART No.	SPRAGUE PART No.
C1	120	6	R-C9086	BCD8100	ECPB117	MT1-21	BL1721	PET1400	TE-1103
C2	120	6	R-C9086	BCD8100	ECPB117	MT1-21	BL1721	PET1400	TE-1103
C3	100	6	R-C9082	BCD8100	ECPB117	MT1-18	MLV100-6	PET1400	VL-1100
C4	10	3	R-C9079	BCD3010	ECPB408	MT1-5	MLV10-3	PET1340	VL-1038
C5	30	3	R-C9080	BCD3025	ECPB412	MT1-13	MLV30-6	PET130	VL-1043

FIXED CAPACITORS

ITEM No.	RATING	REMARKS	REPLACEMENT DATA					
			AEROVOX PART No.	CENTRALAB PART No.	CORNELL-DUBILIER PART No.	ELMENCO PART No.	MALLORY PART No.	SPRAGUE PART No.
C10	.005		TTD-005	CK-502	H1		TA-250	TG-D50
C11	330		SI 330	D6-331	LA10T33	CCD-331	GP333	10TS-T33
C12	10		NPO-DI 10	DTZ-10	C10Q1C	CCTO-100	CNO-410	10TCC-Q10
C13	15		NPO-DI 15	DTZ-15	C10Q13C	CCTO-150	CNO-415	10TCC-Q12
C14	.04		TTD-05	CK-503	H5		TA-150	TG-S50
C15	.04		TTD-05	CK-503	H5		TA-150	TG-S50
C16	12		NPO-DI 10	DTZ-10	C10Q12C	CCTO-100	CNO-410	10TCC-Q12
C17	.008			DM-302				
C18	.01		TTD-01	CK-103	H2		TA-110	TG-S10
C19	.01		TTD-01	CK-103	H2		TA-110	TG-S10

CONTROLS

All wattages 1/2 watt, or less, unless otherwise listed.

ITEM No.	USE	RESISTANCE	REPLACEMENT DATA				
			Channel Master PART No.	CENTRALAB PART No.	CLAROSTAT PART No.	CYS-IRC PART No.	MALLORY PART No.
R1	Volume & Switch	5000Ω	R-R124101	F2-5000, KR-1, SW204(B11, KR-1)		Q13-114, 76-1	UA53A, SL3500, US41, or (RU53A, US41, SL3500, SL38) or (U-12, US26)
R2	IF Bias	100K	R-R11007				

COILS (RF-IF)

ITEM No.	USE	REPLACEMENT DATA					NOTES
		Channel Master PART No.	MERIT PART No.	MILLER PART No.	STANCOR PART No.	WORKMAN PART No.	
L1	Loopstick	R-S8545					
L2	Osc.	R-W8086	BC-577	2065	RTC-9265		
L3	1st IF	R-W5T059	BC-574	2066	RTC-9266		
L4	2nd IF	R-W5T009	BC-575	2067	RTC-9267		
L5	3rd IF	R-W5T062	BC-576	2068	RTC-9268		

D DESCRIPTION

TRANSFORMER (DRIVER)

ITEM No.	TURNS RATIO		REPLACEMENT DATA				NOTES
			Channel Master PART No.	MERIT PART No.	STANCOR PART No.	THORDARSON PART No.	
	PRI.	SEC.					
T1	2	1	R-W6181				

TRANSFORMER (AUDIO OUTPUT)

ITEM No.	IMPEDANCE		REPLACEMENT DATA				NOTES
			Channel Master PART No.	MERIT PART No.	STANCOR PART No.	THORDARSON PART No.	
	PRI.	SEC.					
T2	100Ω CT	3-4Ω	R-W6182				

SPEAKER

ITEM No.	TYPE	REPLACEMENT DATA		NOTES
		Channel Master PART No.	QUAM PART No.	
SP1	4" PM 3-4Ω	R-S6208		

COMPONENT COMBINATIONS

ITEM No.	USE	DESCRIPTION	Channel Master PART No.	REPLACEMENT DATA
K1	Conv. Emitter Bias	.005mfd, 4700Ω	R-CXC024	
K2	1st IF Emitter Bias	.04mfd, 1200Ω	R-CXC025	
K3	2nd IF Emitter Bias	.04mfd, 820Ω	R-CXC026	
K4	Diode RF Filter	.002mfd, .002mfd, 180Ω	R-CXC002	

BATTERIES

ITEM No.	VOLTAGE	Channel Master PART No.	REPLACEMENT DATA			NOTES
			BURGESS	EVEREADY	MALLORY	
M1	6		130 (or AL-1)	635 (or E93)	M-14R (or MN1400)	4 Required

MISCELLANEOUS

ITEM No.	PART NAME	Channel Master PART No.	NOTES
M2 M3	Tuning Cap. Detector (1N60)	R-C1036a	

CABINETS & CABINET PARTS

(When Ordering Specify Model, Chassis & Color)

ITEM	PART No.	ITEM	PART No.
Knob - Tuning	R-S8542	Cabinet - Complete	R-31484
Knob - Volume	R-S8543	Handle	R-33337

WIRING DATA

General-use Unshielded Hook-up Wire Use BELDEN No. 8530 (Solid 22AWG) Available
 8524 (Stranded 22AWG) in
 8570 (Stranded 26AWG) 12 Colors