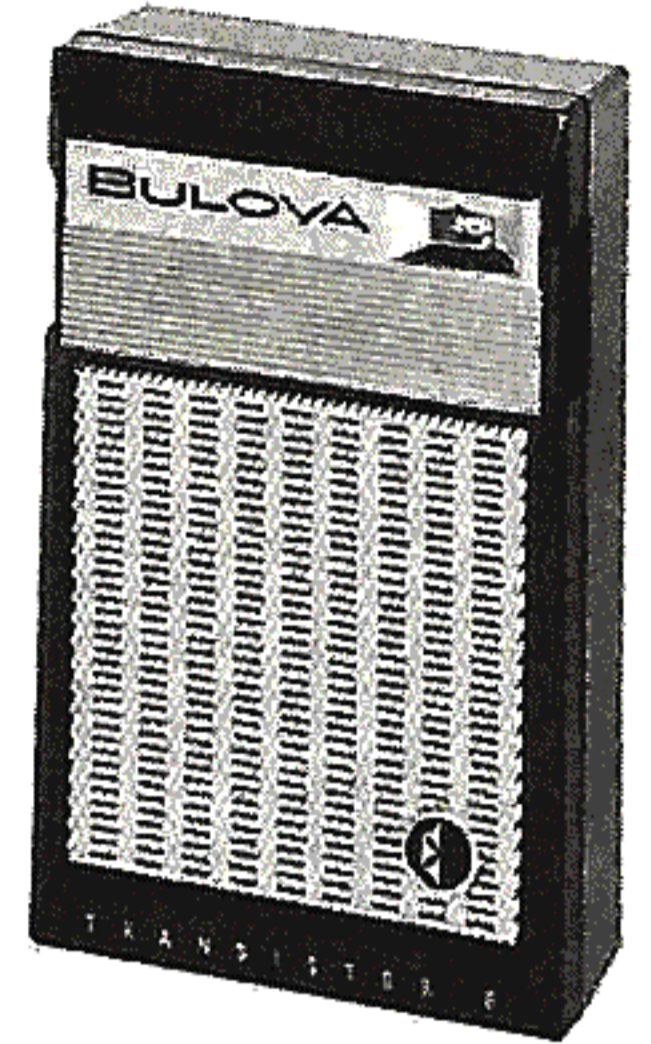
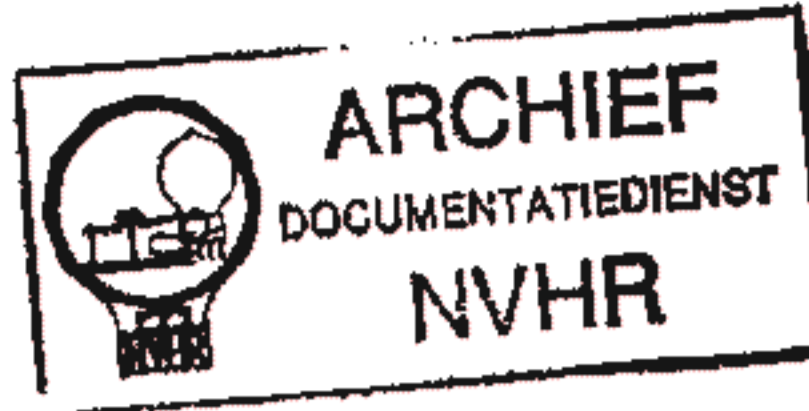


# PHOTOFACT<sup>®</sup> with

# CIRCUITRACE<sup>®</sup>

Ned. Ver. v. Historie v/d Radio



TRADE NAME: Bulova Models 822, 823, 825, 826, 8222, 8233, 8255, 8266  
 SUPPLIER: Bulova Watch Company, Bulova Park Flushing 70, N. Y.  
 TYPE SET: 6 Transistor AM Receiver  
 POWER SUPPLY: 9 Volt  
 RATING: 6MA @ 9V (No Signal)  
 15MA @ 9V (Normal Volume)  
 TUNING RANGE: BROADCAST 540 - 1620KC

## ALIGNMENT INSTRUCTIONS

Check for specified source voltage.

Fashion loop of several turns of wire and connect generator across loop.

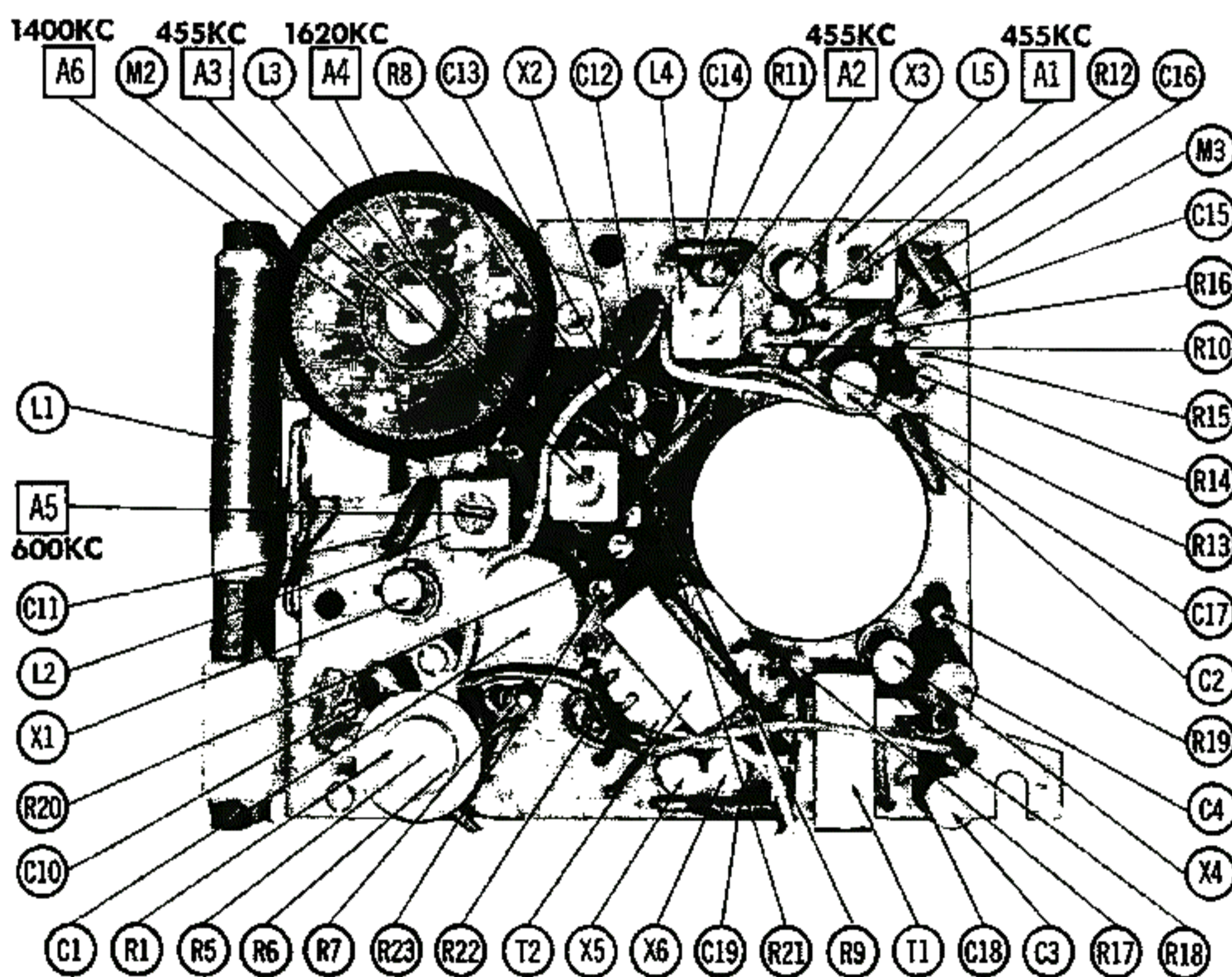
Adjust output of generator to radiate only enough signal into receiver to obtain a suitable indication.

Suggested Alignment Tools:

A1, A2, A3, A5..... GENERAL CEMENT #5067, 8282, 8606.... WALSCO #2526, 2543

A4, A6..... GENERAL CEMENT #5000, 5066, 8290.... WALSCO #2512, 2525, 2528

	SIGNAL GENERATOR FREQUENCY	RADIO DIAL SETTING	INDICATOR	ADJUST	REMARKS
1.	455KC (400% Mod.)	Tuning gang fully open.	Output Meter across voice coil.	A1, A2, A3	Adjust for maximum. Repeat as required.
2.	1620KC	"	"	A4	Adjust for maximum.
3.	600KC	Tune to Signal.	"	A5	Rock tuning gang and adjust for maximum. Repeat steps 2 and 3.
4.	1400KC	"	"	A6	Adjust for maximum.



**HOWARD W. SAMS & CO., INC.** Indianapolis 6, Indiana

## TRANSISTORS

ITEM No.	ORIG. TYPE	USE	REPLACEMENT DATA			NOTES
			DELCO PART No.	GENERAL ELECTRIC PART No.	RCA PART No.	
X1	2SA150	Converter	DS-25	GE-9		PNP
X2	2SA155	1st IF Amp.	DS-25	GE-9		PNP
X3	2SA155	2nd IF Amp.	DS-25	GE-9		PNP
X4	2SB112	Driver	DS-26	GE-2	2N408	PNP
X5	2SB112	Output	DS-26	GE-2	2N408	PNP
X6	2SB112	Output	DS-26	GE-2	2N408	PNP

## ELECTROLYTIC CAPACITORS

ITEM No.	RATING		REPLACEMENT DATA						
	CAP.	VOLT.	BULOVA PART No.	AEROVOX PART No.	CORNELL-DUBILIER PART No.	GENERAL ELECTRIC PART No.	GENERAL INSTRUMENT PART No.	MALLORY PART No.	SPRAGUE PART No.
C1A	20	10	6M-51						
B	20	10							
C	20	10							
C2	10	3	6M-50	CRE207A	NLW10-3				TE-1053
C3	2	12	6M-49	CRE401	NLW2-50	MT1-1			TE-1121
C4	10	3	6M-50	CRE207A	NLW10-3				TE-1053

## FIXED CAPACITORS

ITEM No.	RATING	REMARKS	REPLACEMENT DATA					
			AEROVOX PART No.	CENTRALAB PART No.	CORNELL-DUBILIER PART No.	ELMENCO PART No.	MALLORY PART No.	SPRAGUE PART No.
C10	.005		TTD-005	CK-502	H1		TA-250	TG-D50
C11	.005		TTD-005	CK-502	H1		TA-250	TG-D50
C12	.02		TTD-02	CK-203	H3		TA-120	TG-S20
C13	.02		TTD-02	CK-203	H3		TA-120	TG-S20
C14	.02		TTD-02	CK-203	H3		TA-120	TG-S20
C15	.02		TTD-02	CK-203	H3		TA-120	TG-S20
C16	.01		TTD-01	CK-103	H2		TA-110	TG-S10
C17	.005		TTD-005	CK-502	H1		TA-250	TG-D50
C18	500			DM-501				
C19	.02		TTD-02	CK-203	H3		TA-120	TG-S20

## CONTROLS

All wattages 1/2 watt, or less, unless otherwise listed.

ITEM No.	USE	RESISTANCE	REPLACEMENT DATA				
			BULOVA PART No.	CENTRALAB PART No.	CLAROSTAT PART No.	CTS-IRC PART No.	MALLORY PART No.
R1	Volume & Switch	5000Ω	6M-33				

## COILS (RF-IF)

ITEM No.	USE	REPLACEMENT DATA					NOTES
		BULOVA PART No.	MERIT PART No.	MILLER PART No.	STANCOR PART No.	WORKMAN PART No.	
L1	Loopstick	6M-34					
L2	Osc.	6M-45					
L3	1st IF	6M-40					
L4	2nd IF	6M-41					
L5	3rd IF	6M-42					

## TRANSFORMER (DRIVER)

ITEM No.	TURNS RATIO		REPLACEMENT DATA					NOTES
			BULOVA PART No.	MERIT PART No.	STANCOR PART No.	THORDARSON PART No.	TRIAD PART No.	
	PRI.	SEC.						
T1	1, 2	1	6M-43					

## TRANSFORMER (AUDIO OUTPUT)

ITEM No.	IMPEDANCE		REPLACEMENT DATA					NOTES
			BULOVA PART No.	MERIT PART No.	STANCOR PART No.	THORDARSON PART No.	TRIAD PART No.	
	PRI.	SEC.						
T2	800Ω	6-8Ω	6M-44					

## SPEAKER

ITEM No.	TYPE	REPLACEMENT DATA		NOTES
		BULOVA PART No.	QUAM PART No.	
SP1	2 1/4" PM 6-8Ω	6M-1		

## BATTERIES

ITEM No.	VOLTAGE	BULOVA PART No.	REPLACEMENT DATA			NOTES
			BURGESS	EVEREADY	MALLORY	
M1	9		2U6 (or HI46)	2I6 (or EI46)	M-1604 (or MNI604, TR-146)	

## MISCELLANEOUS

ITEM No.	PART NAME	BULOVA PART No.	NOTES
M2 M3	Tuning Gang Det. -AVC Diode (SD46)	6M-32 6M-39	2 Gang

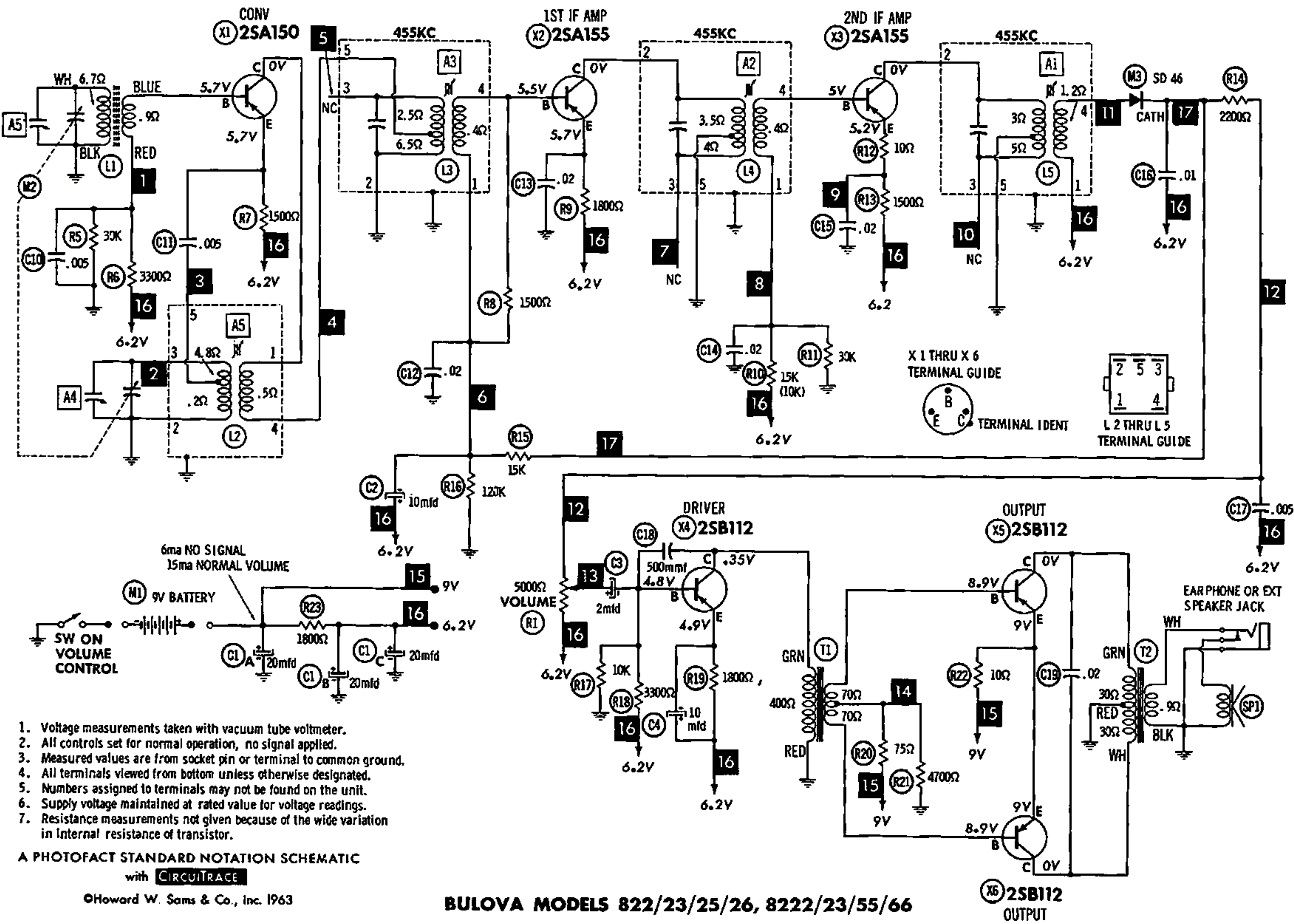
## CABINETS & CABINET PARTS

(When Ordering Specify Model, Chassis & Color)

ITEM	PART No.	ITEM	PART No.
Knob - Volume Knob - Tuning	6M-25 6M-26	Cabinet Assembly	6M-8

## WIRING DATA

General-use Unshielded Hook-up Wire .....	Use BELDEN No. 8530 (Solid 22AWG) 8524 (Stranded 22AWG) 8570 (Stranded 26AWG)	Available in 12 Colors
---	---	------------------------------



**BULOVA MODELS 822/23/25/26, 8222/23/55/66**

