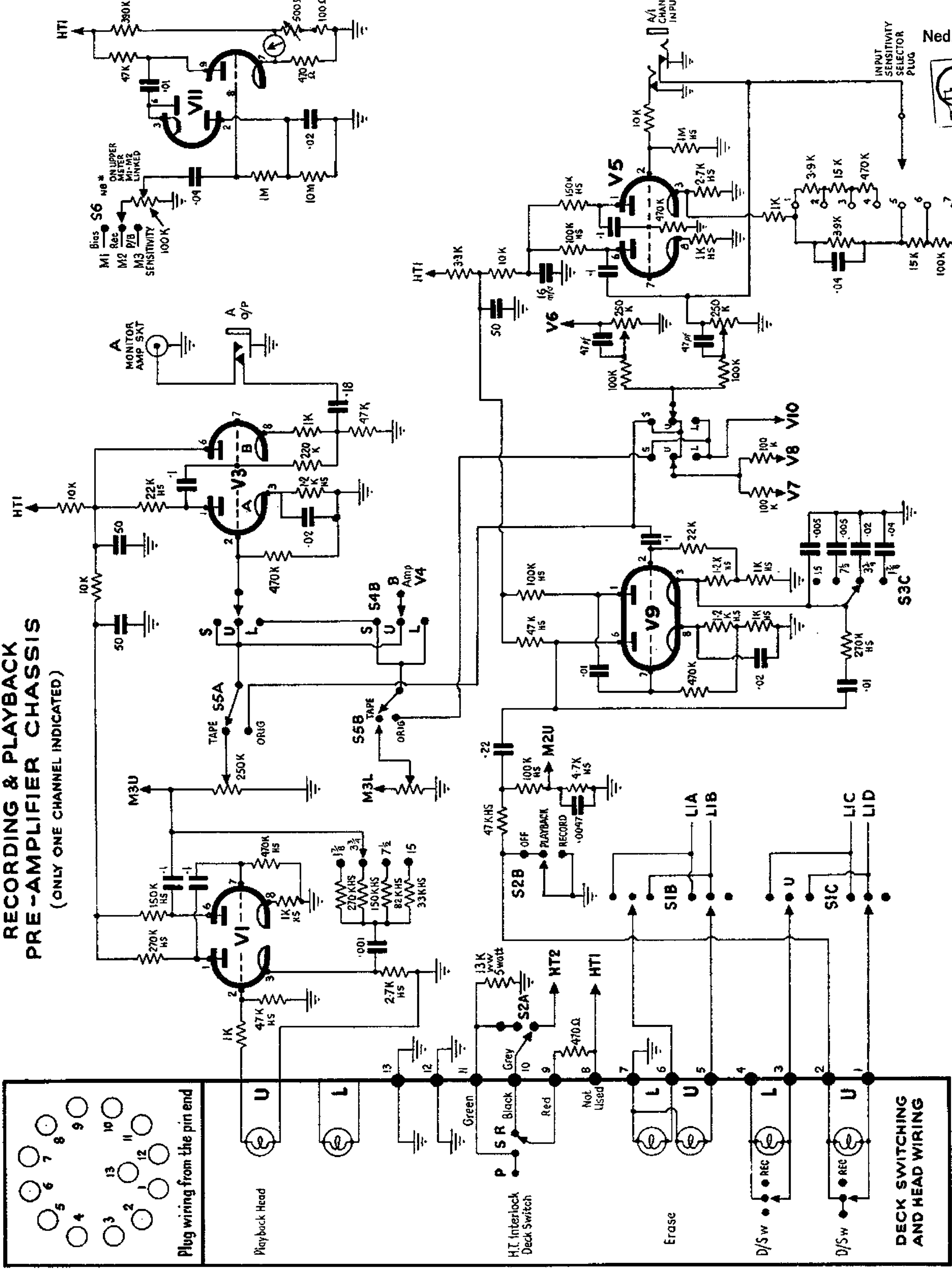


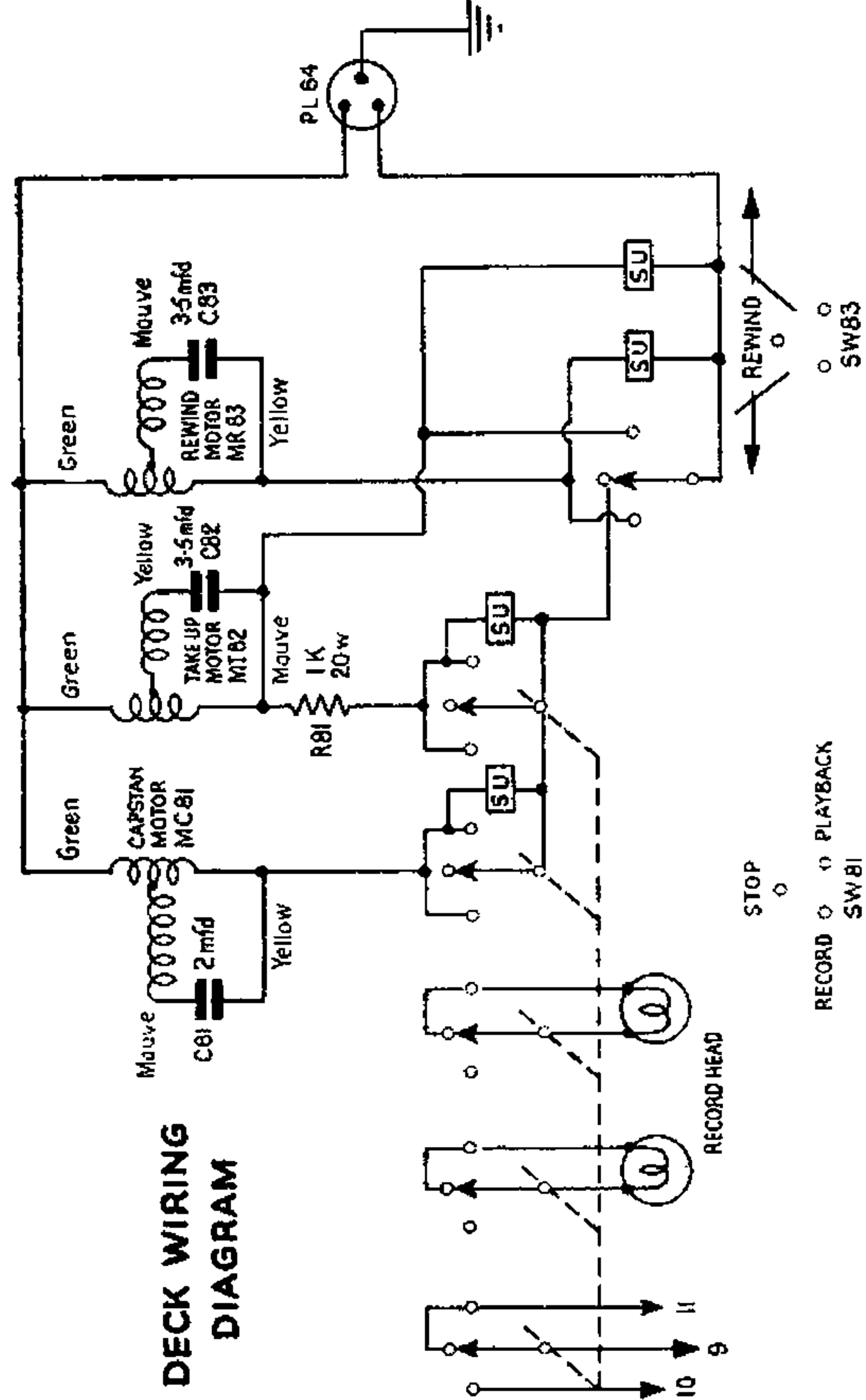
BRENELL STB2

RECORDING & PLAYBACK PRE-AMPLIFIER CHASSIS (ONLY ONE CHANNEL INDICATED)

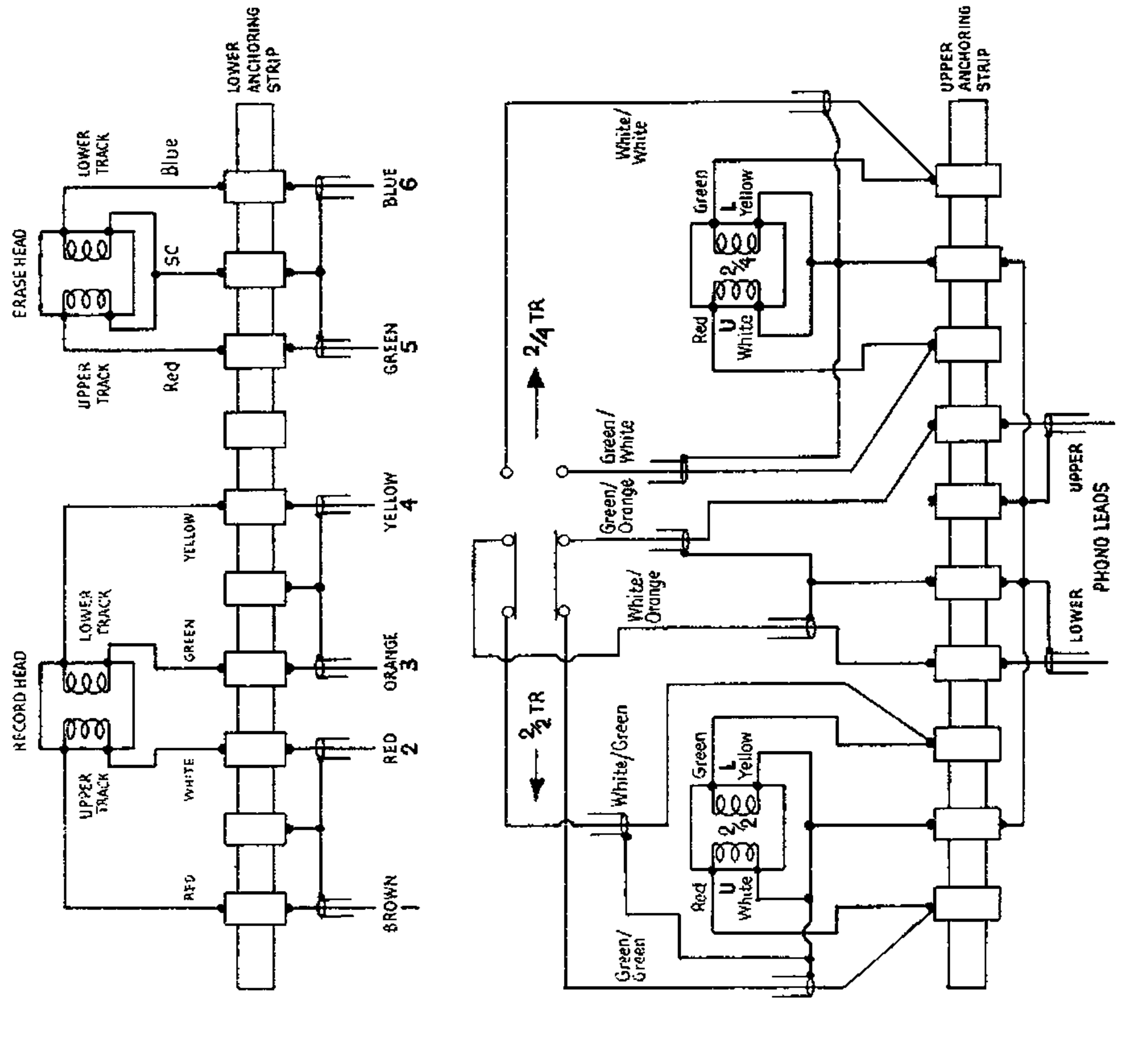


Ned. Ver. v. Historie v/d Rad
ARCHIEF
 DOCUMENTATIEDIENST
 NVHR

Brenell Engineering reserve the right to alter the specification as modifications are made



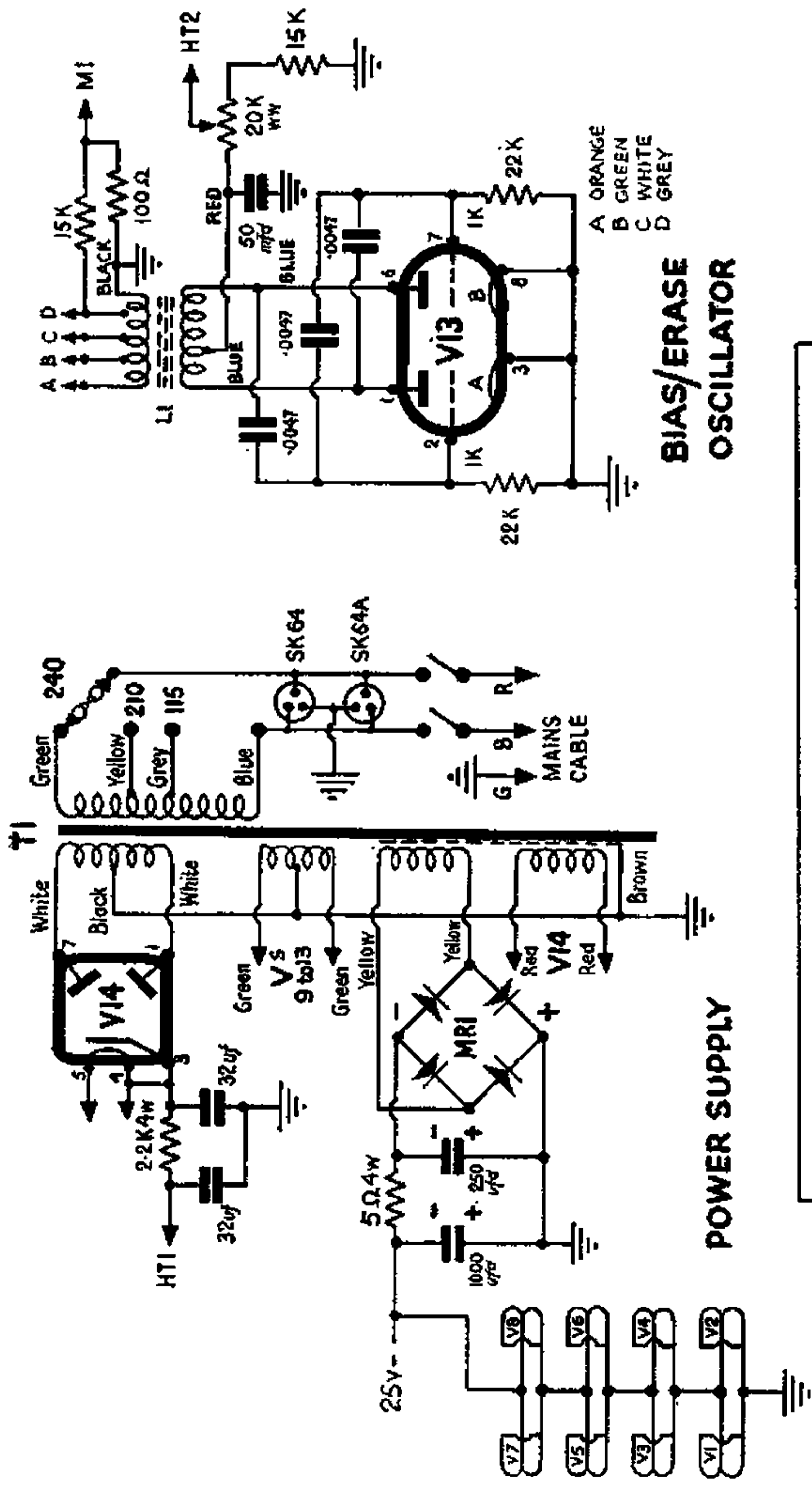
HEAD ASSEMBLY



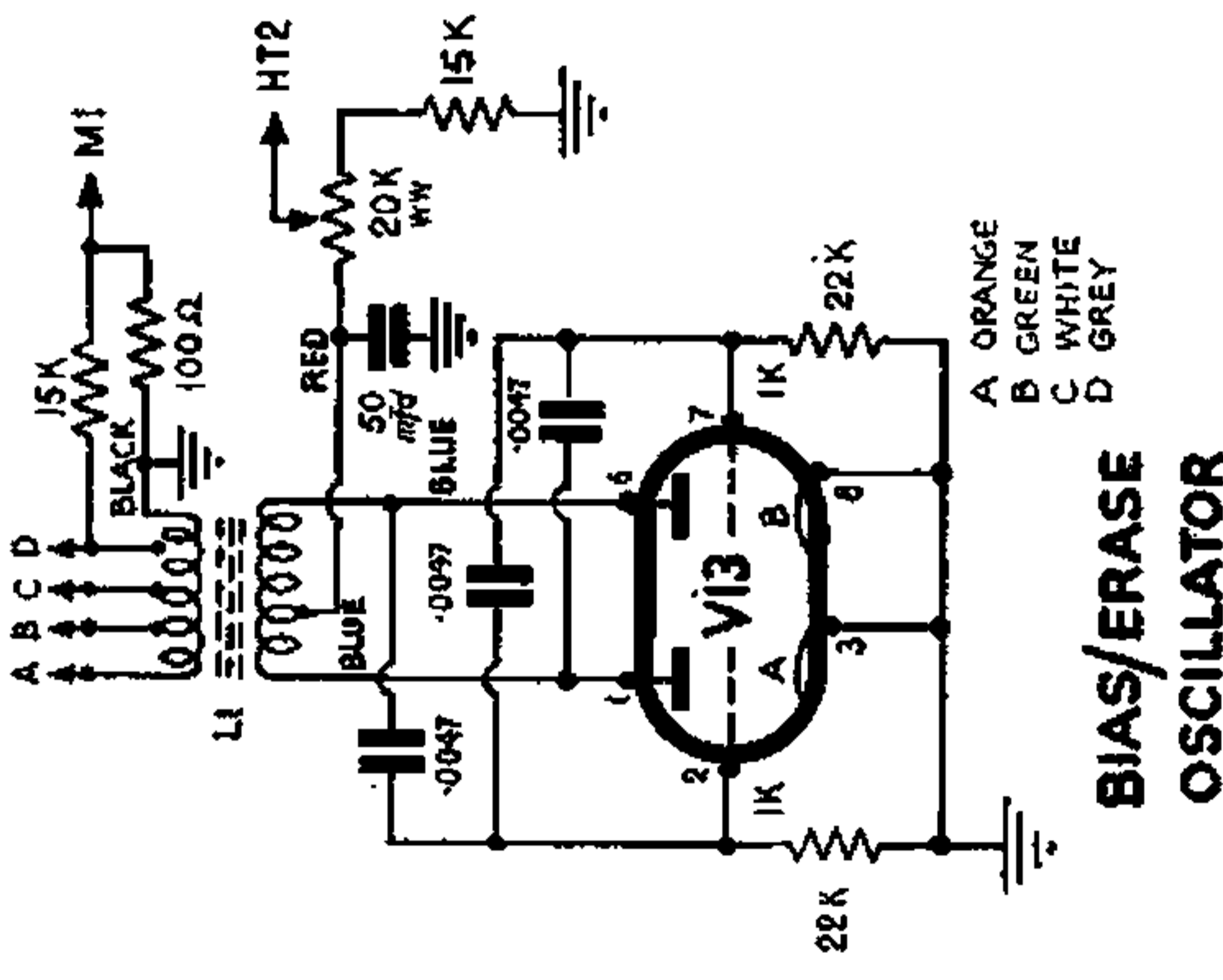
DECK WIRING DIAGRAM

Plug wiring from the pin end

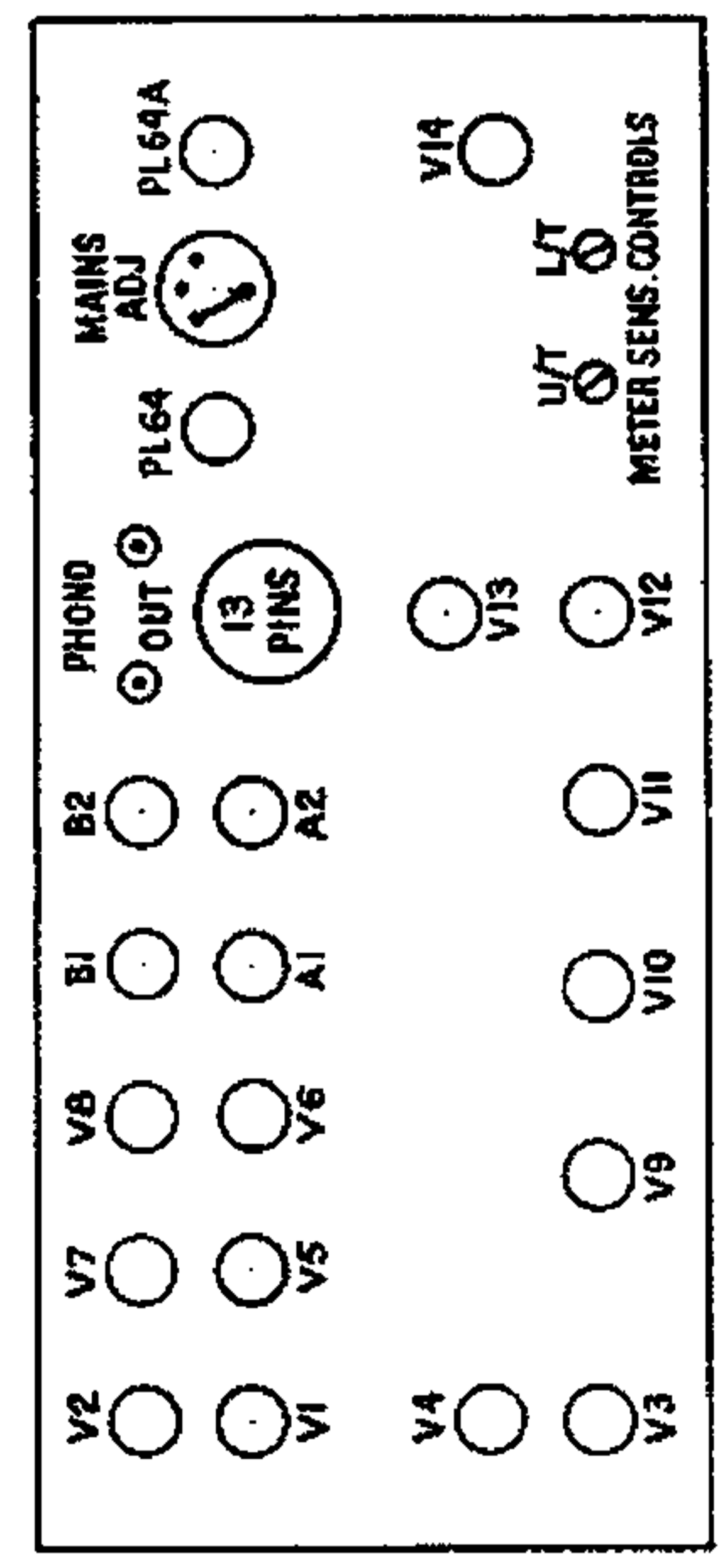
DECK SWITCHING AND HEAD WIRING



POWER SUPPLY



BIAS/ERASE OSCILLATOR

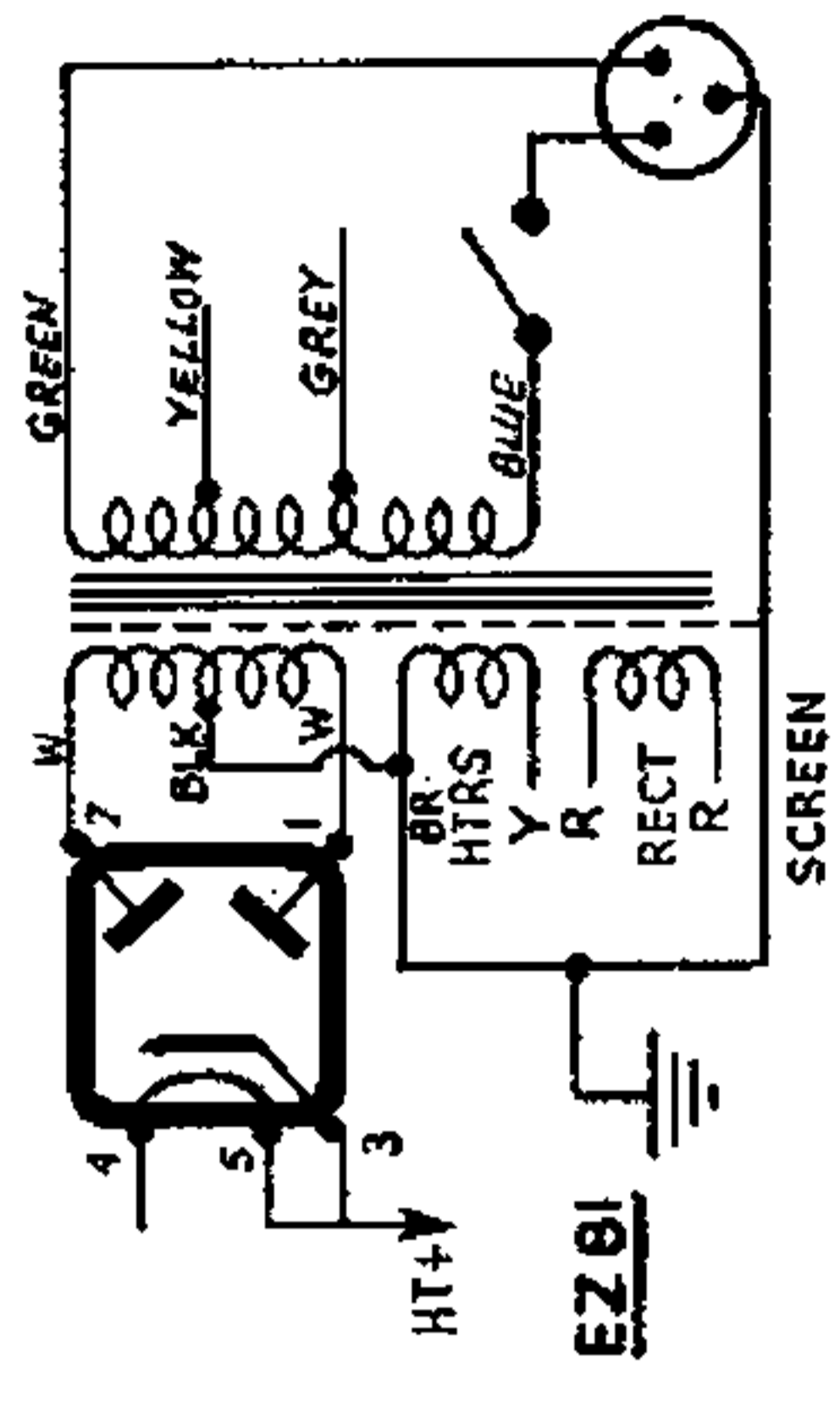
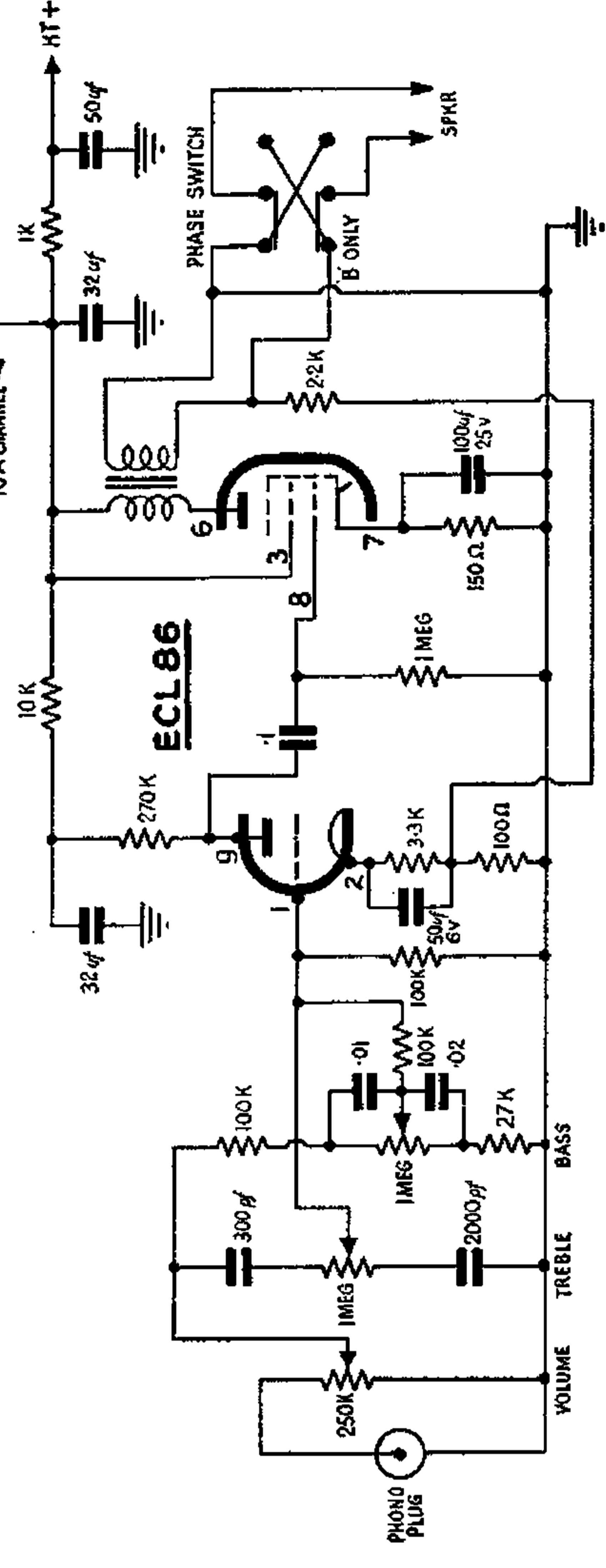


VALVE ETC LAYOUT

VOLTAGES MEASURED ON AVO 8 - RECORD FUNCTION (DECK & AMP)
 MAINS TAP TO 240 MAINS SUPPLY VOLTAGE 230

ANODE V.	CATHODE V.
V1 ECC83 U/T P/B 1st STAGE } PIN 1 80 PIN 3 75	
V2 " " L/T " " " } PIN 6 84 PIN 8 5	
V3 ECC81 U/T P/B 2nd STAGE } PIN 1 145 PIN 3 2	
V4 " " L/T " " " } PIN 6 180 PIN 8 70	
V5 ECC83 A1 AMPLIFIER } PIN 1 110 PIN 3 1	
V6 " " A2 " " " } PIN 6 105 PIN 8 7	
V7 " " B1 " " " } PIN 1 100 PIN 3 2.5	
V8 " " B2 " " " } PIN 6 140 PIN 8 4	
V9 ECC81 U/T RECORD AMP } PIN 1 160 PIN 7 5	
V10 " " L/T " " " } PINS 1&6 250	
V11 EABC80 U/T METER AMP } PINS 1&7 300(AC) PIN 3 350	
V12 " " L/T " " " } 22 AC. 28 DC.	
V13 ECC82 BIAS/ERASE OSCILLATOR	
V14 EZ80 H.T. RECTIFIER	
MRI M201 (27v 2.5A RATING)	

MONITOR AMPLIFIER (STEREO)
 (ONE CHANNEL INDICATED)



- S1 RECORDING TRACK SELECTOR SWITCH Stereo Upper Lower
- S2 FUNCTION SWITCH Off Playback Record
- S3 CORRECTION (FREQUENCY) SWITCH 15 7 1/2 3 1/2 1 1/2 I.P.S.
- S4 PLAYBACK TRACK SELECTOR SWITCH Stereo Upper Lower
- S5 MONITOR SWITCH (COMPARATOR) Original Tape
- S6 METER SWITCH Playback Recording Bias