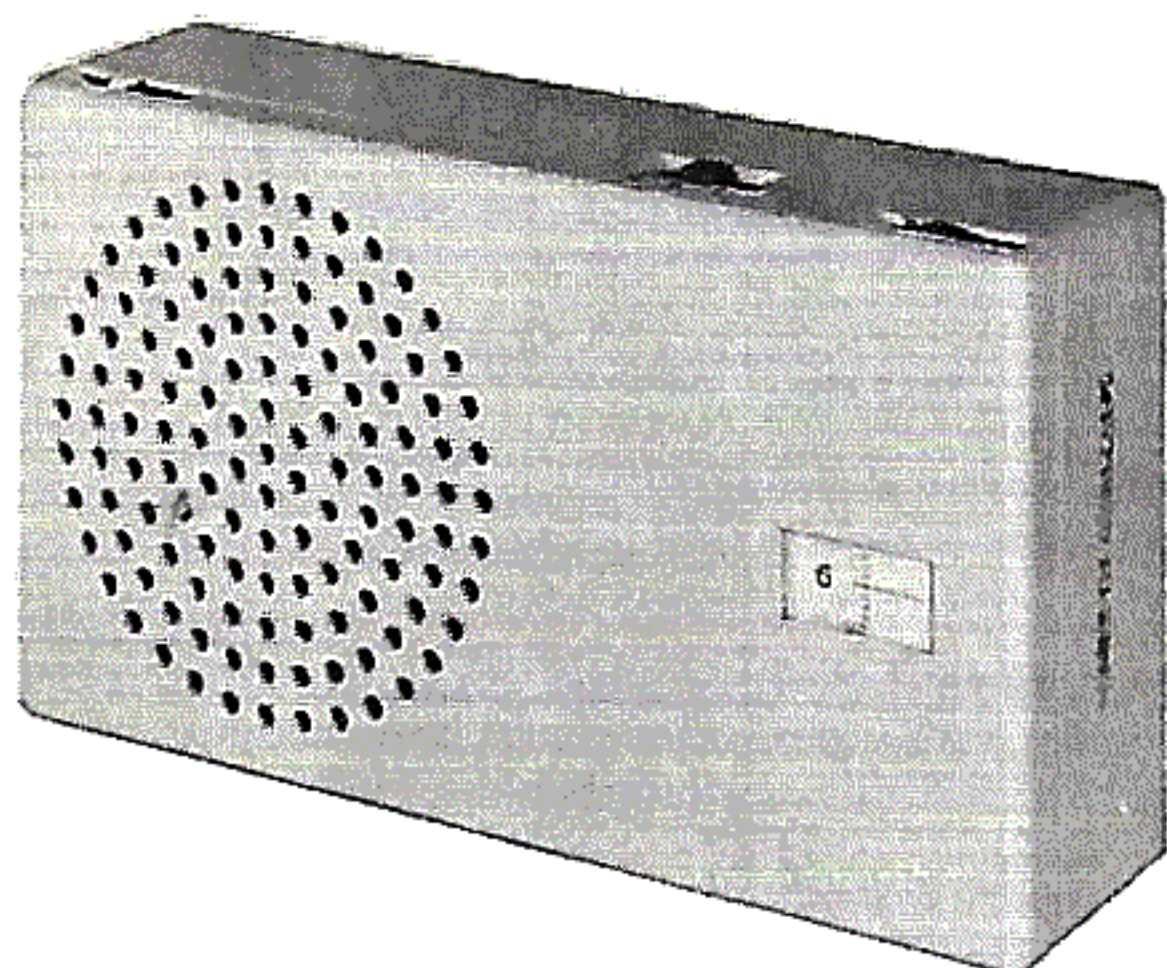


# PHOTOFACT<sup>®</sup> with

# CIRCUITRACE<sup>®</sup>

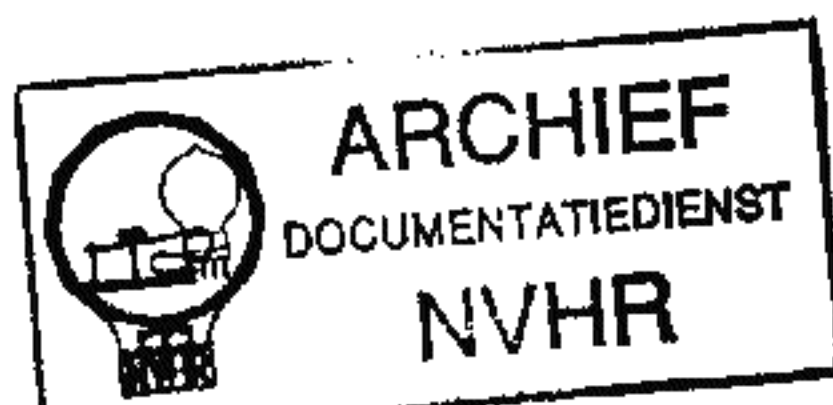


## Met dank aan Jef Bos

TRADE NAME: Clairtone-Braun Model T-4  
 SUPPLIER: Clairtone Sound Corp., Ltd.  
 Service and Parts Div.,  
 18-25 26th Rd., Long Island City 2, N. Y.  
 TYPE SET: 7 Transistor LW-BC-SW Receiver  
 POWER SUPPLY: 6 Volts DC  
 RATING: 16MA @ 6VDC (No Signal, Min. Volume)  
 28MA @ 6VDC (Signal, Normal Volume)  
 TUNING RANGE: LONG WAVE 145 - 270KC  
 BROADCAST 535 - 1620KC  
 SHORT WAVE 5.9 - 7.6MC

Ned. Ver. v. Historie v/c

## ALIGNMENT INSTRUCTIONS



Check for specified source voltage.

Fashion loop of several turns of wire and connect generator across loop.

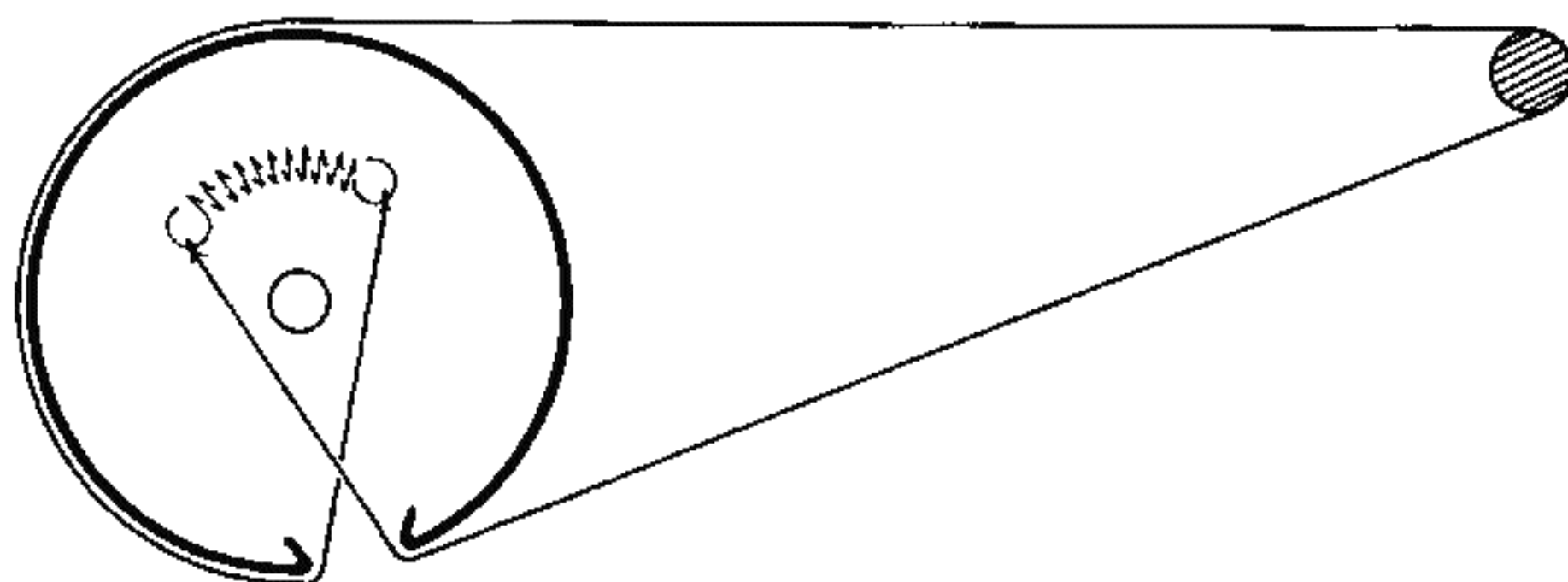
Adjust output of generator to radiate only enough signal into receiver to obtain a suitable indication.

Suggested Alignment Tools:

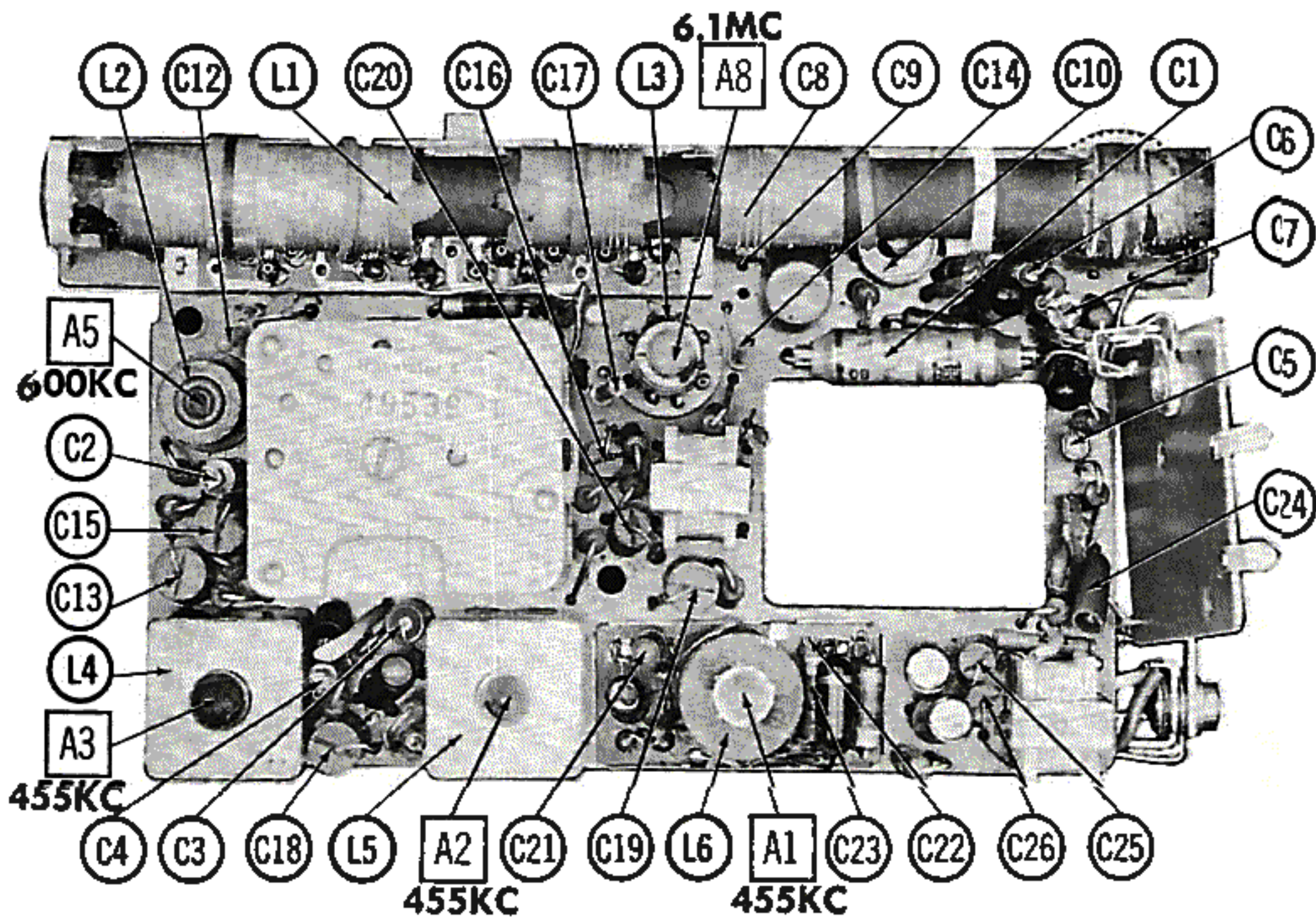
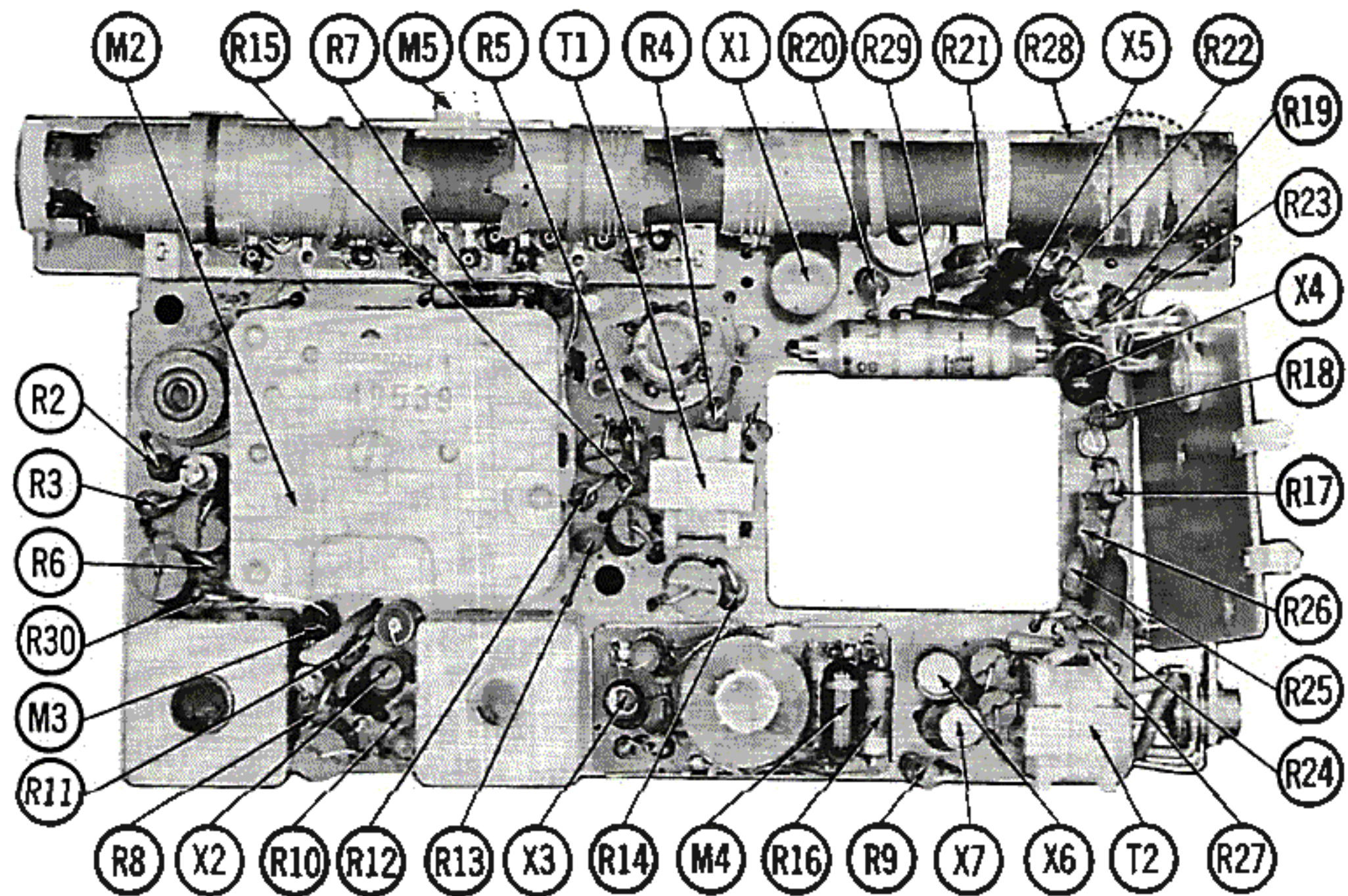
A1, A2, A3.....GENERAL CEMENT #8606, 8282..... WALSCO #2526, 2543  
 A4, A6, A7, A9.. GENERAL CEMENT #5000, 8290, 5066..... WALSCO #2525  
 A5, A8.....GENERAL CEMENT #9440

	SIGNAL GENERATOR FREQUENCY	RADIO DIAL SETTING	INDICATOR	ADJUST	REMARKS
1.	455KC (400% Mod.)	Tuning gang fully open.	Output Meter across voice coil.	A1, A2, A3	Adjust for maximum. Repeat as required.
2.	1620KC	"	"	A4	Adjust for maximum.
3.	600KC	Tune to Signal.	"	A5	Rock tuning gang and adjust for maximum. Repeat steps 2 and 3.
4.	1400KC	"	"	A6	Adjust for maximum.
5.	255KC	"	"	A7	"
6.	6.1MC	6.1MC	"	A8	Adjust for maximum. If unable to obtain tracking adjust (A4) and repeat Steps 5 & 6.
7.	7.2MC	7.2MC	"	A9	"

## DIAL CORD STRINGING

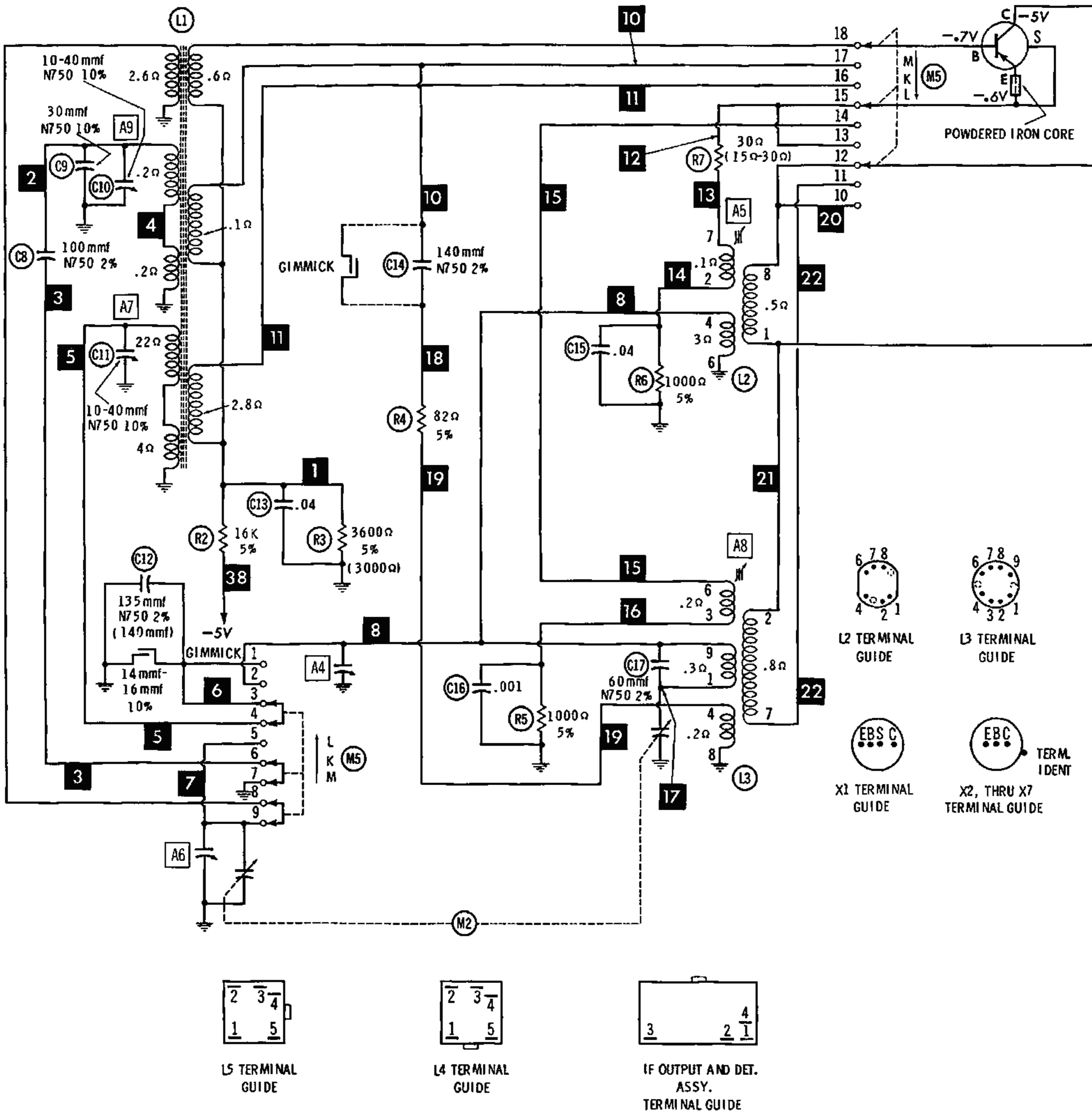


**HOWARD W. SAMS & CO., INC.** Indianapolis 6, Indiana



CHASSIS - TOP VIEW

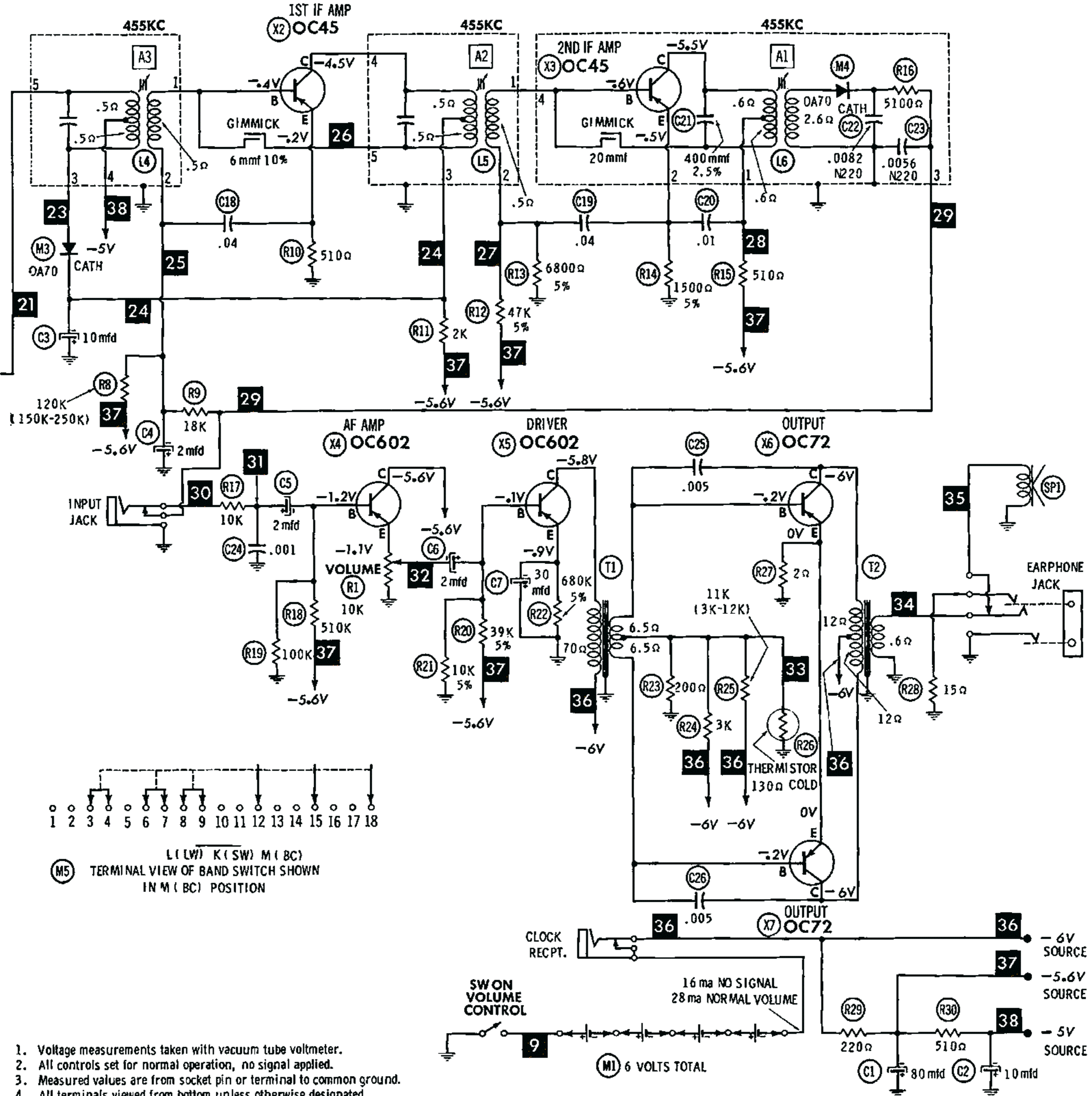
CONV  
X1 OC170



A PHOTOFAC STANDARD NOTATION SCHEMATIC

with **CIRCUITRACE**

©Howard W. Sams & Co., Inc. 1963



1. Voltage measurements taken with vacuum tube voltmeter.
2. All controls set for normal operation, no signal applied.
3. Measured values are from socket pin or terminal to common ground.
4. All terminals viewed from bottom unless otherwise designated.
5. Numbers assigned to terminals may not be found on the unit.
6. Supply voltage maintained at rated value for voltage readings.
7. Resistance measurements not given because of the wide variation in internal resistance of transistor.

**CLAIRTONE-BRAUN  
MODEL T4**

## TRANSISTORS

ITEM No.	ORIG. TYPE	USE	REPLACEMENT DATA			NOTES
			DELCO PART No.	GENERAL ELECTRIC PART No.	RCA PART No.	
X1	OC170	Converter	DS-25	GE-1		PNP
X2	OC45	1st IF Amplifier	DS-25	GE-1		PNP
X3	OC45	2nd IF Amplifier	DS-25	GE-1		PNP
X4	OC602	AF Amplifier	DS-26	GE-2		PNP
X5	OC602	Driver	DS-26	GE-2		PNP
X6	OC72	Output	DS-26	GE-2	2N408	PNP
X7	OC72	Output	DS-26	GE-2	2N408	PNP

## ELECTROLYTIC CAPACITORS

ITEM No.	RATING		REPLACEMENT DATA						
	CAP.	VOLT.	Clairtone-Braun PART No.	AEROVOX PART No.	CORNELL-DUBILIER PART No.	GENERAL ELECTRIC PART No.	GENERAL INSTRUMENT PART No.	MALLORY PART No.	SPRAGUE PART No.
C1	80	6	EL680/06	CRE320	NLW75-10	MT1-18	BL1620	TT6X80	TE-1101.5
C2	10	6	EL610/06	PTT23	NLW10-6	MT1-5	MLV10-6	TT6X10	TE-1087
C3	10	6	EL610/06	PTT23	NLW10-6	MT1-5	MLV10-6	TT6X10	TE-1087
C4	2	3	EL520/03	PTT2	NLW2-50	MT1-1	MLV2-6	TT6X2	TE-1051
C5	2	3	EL520/03	PTT2	NLW2-50	MT1-1	MLV2-6	TT6X2	TE-1051
C6	2	3	EL520/03	PTT2	NLW2-50	MT1-1	MLV2-6	TT6X2	TE-1051
C7	30	3	EL630/03	PTT10	NLW30-6	MT1-13	MLV30-6	TT6X30	TE-1056

## FIXED CAPACITORS

ITEM No.	RATING	REMARKS	REPLACEMENT DATA												
			AEROVOX PART No.	CENTRALAB PART No.	CORNELL-DUBILIER PART No.	ELMENCO PART No.	MALLORY PART No.	SPRAGUE PART No.							
C8	100 N750 2%	(140) †	N750-SI 30	TCN-100	TCN-30	C10Q3U	CCTN-300	CN7-433	10TCU-Q30						
C9	30 N750 10%														
C10	10-40 N750 10%														
C11	10-40 N750 10%														
C12	135 N750 2%														
C13	.04									TTD-05	CK-503	H5		TA-150	TG-S50
C14	140 N750 2%									TTD-05	CK-503	H5		TA-150	TG-S50
C15	.04									TTD-05	DM-102	H05D1			
C16	.001										TCN-62				
C17	60 N750 2%									TTD-05	CK-503	H5		TA-150	TG-S50
C18	.04									TTD-05	CK-503	H5		TA-150	TG-S50
C19	.04									TTD-05	CK-503	H5		TA-110	TG-S10
C20	.01									TTD-01	CK-103	H2			
C21	400 2.5%														
C22	.0082 N220												*		
C23	.0056 N220												*		
C24	.001										DM-102	H05D1			
C25	.005									TTD-005	CK-502	H1		TA-250	TG-D50
C26	.005									TTD-005	CK-502	H1		TA-250	TG-D50

† Alternate Value.

\* Not normally in distributor's stock. Available thru distributor on order to manufacturer.

## CONTROLS

All wattages 1/2 watt, or less, unless otherwise listed.

ITEM No.	USE	RESISTANCE	REPLACEMENT DATA				
			Clairtone-Braun PART No.	CENTRALAB PART No.	CLAROSTAT PART No.	CTS-IRC PART No.	MALLORY PART No.
R1	Volume & Switch	10K	KT4-006				

## RESISTORS (Power and Special)

ITEM No.	RATING	REPLACEMENT DATA			ITEM No.	RATING	REPLACEMENT DATA		
		IRC PART No.	WORKMAN PART No.	REMARKS			IRC PART No.	WORKMAN PART No.	REMARKS
R26	130Ω (Cold)			#15-901					

# Clairtone-Braun Part Number.

# D DESCRIPTION

## COILS (RF-IF)

ITEM No.	USE	REPLACEMENT DATA					NOTES
		Clairtone-Braun PART No.	MERIT PART No.	MILLER PART No.	STANCOR PART No.	WORKMAN PART No.	
L1A	BC Ant. Coil	KT4-830					
B	LW Ant. Pri.	KT4-832					
C	LW Ant. Sec.						
D	LW Ant. Pri.	KT4-831					
E	SW Ant. Pri.	KT4-834					
F	SW Ant. Pri.	KT4-833					
G	SW Ant. Sec.						
L2	LW-BC Osc.	KT4-808					
L3	SW Osc.	KT4-812					
L4	1st IF	KT4-817					
L5	2nd IF	KT4-820					
L6	3rd IF Assembly	KT4-823					

## TRANSFORMER (DRIVER)

ITEM No.	TURNS RATIO		REPLACEMENT DATA					NOTES
			Clairtone-Braun PART No.	MERIT PART No.	STANCOR PART No.	THORDARSON PART No.	TRIAD PART No.	
	PRI.	SEC.						
T1	3	1	KT4-013Z (BV1160)					

## TRANSFORMER (AUDIO OUTPUT)

ITEM No.	IMPEDANCE		REPLACEMENT DATA					NOTES
			Clairtone-Braun PART No.	MERIT PART No.	STANCOR PART No.	THORDARSON PART No.	TRIAD PART No.	
	PRI.	SEC.						
T2	250Ω CT	10-12Ω	KT4-014Z (BV1161)					

## SPEAKER

ITEM No.	TYPE	REPLACEMENT DATA		NOTES
		Clairtone-Braun PART No.	QUAM PART No.	
SP1	2 3/4" PM 10-12Ω	KT4-044Z	27A06Z12	

## BATTERIES

ITEM No.	VOLTAGE	Clairtone-Braun PART No.	REPLACEMENT DATA			NOTES
			BURGESS	EVEREADY	MALLORY	
M1	6		930 (or AL-9, Hg-9)	1015 (or E91, E9)	M-15R (or MN1500, ZM-9)	4 Required

## MISCELLANEOUS

ITEM No.	PART NAME	Clairtone-Braun PART No.	NOTES
M2	Tuning Cap.	KT4-028Z	
M3	Overload (OA70)		
M4	Detector (OA70)		
M5	Switch, Function	KT4-806Z	

## CABINETS & CABINET PARTS

(When Ordering Specify Model, Chassis & Color)

ITEM	PART No.	ITEM	PART No.
Knob - Tuning	KT4-034	Cabinet - Front Only	KT4-851
Cabinet - Front & Rear	KT4-850		

## WIRING DATA

General-use Unshielded Hook-up Wire ..... Use BELDEN No. 8530 (Solid 22AWG) Available in 12 Colors  
 8524 (Stranded 22AWG)  
 8570 (Stranded 26AWG)

