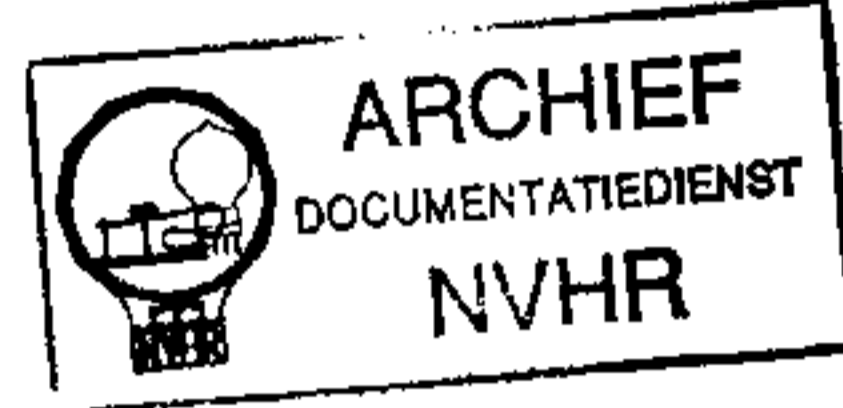


Met dank aan Jef Bos

TRADE NAME: Blaupunkt Model Lido 22503
 (T810001 & up)
SUPPLIER: N. Pickens Import Company
 64-01 Woodside Ave., Woodside 77, N. Y.
TYPE SET: 9 Transistor BC-SW-FM Receiver
POWER SUPPLY: 9 Volts DC
RATING: 25MA@9VDC (No Signal, Min. Volume)AM
 40MA@9VDC (Signal, Normal Volume)AM
TUNING RANGE: BROADCAST 515 - 1620KC
 SHORT WAVE 2, 28 - 6, 4MC
 FREQ. MOD. 87.4-110MC

Ned. Ver. v. Historie v.



ALIGNMENT INSTRUCTIONS

Check for specified source voltage.
 Fashion loop of several turns of wire and connect generator across loop.
 Adjust output of generator to radiate only enough signal into receiver to obtain a suitable indication.
 Suggested Alignment Tools:

A5, A7, A9, A16, A19..... GENERAL CEMENT #5000, 5066, 8290
 WALSCO #2512, 2525, 2528

BC ALIGNMENT - SELECTOR IN BC POSITION

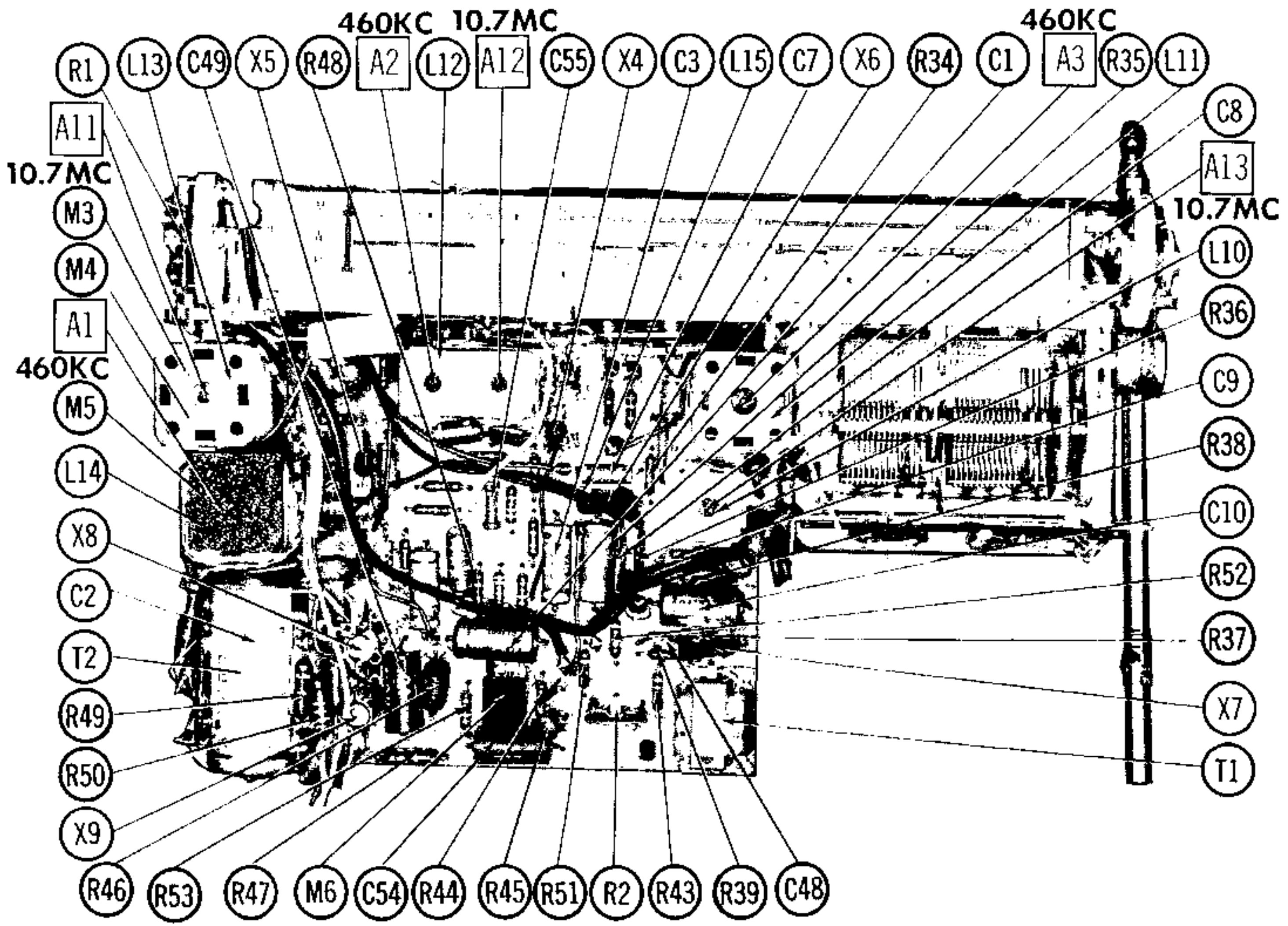
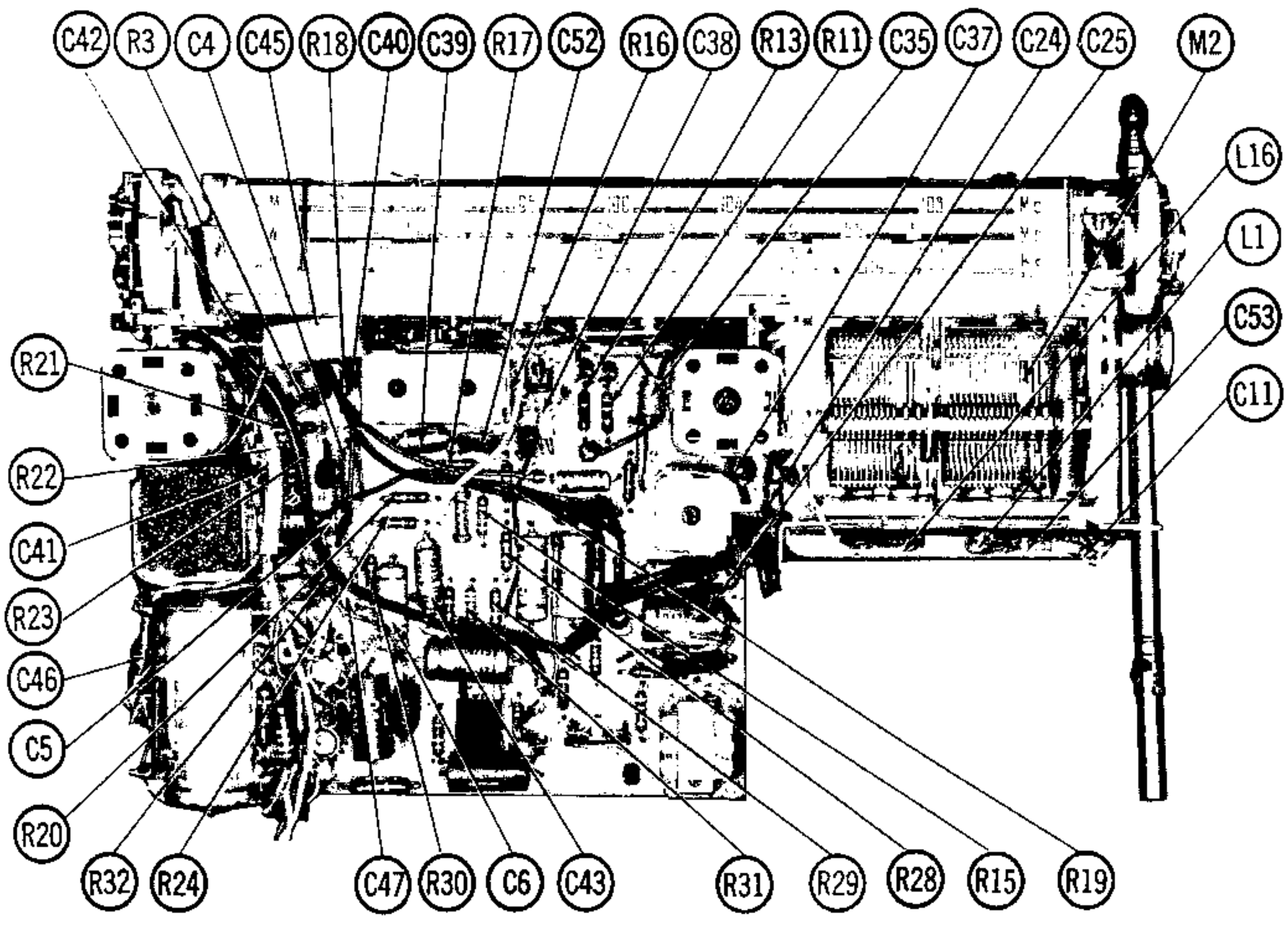
	SIGNAL GENERATOR FREQUENCY	RADIO DIAL SETTING	INDICATOR	ADJUST	REMARKS
1.	480KC (400% Mod.)	Tuning gang fully open.	Output Meter across voice coil.	A1, A2, A3, A4	Adjust for maximum. Repeat as required.
2.	1620KC	"	"	A5	Adjust for maximum.
3.	600KC	Tune to Signal.	"	A6	Rock tuning gang and adjust for maximum. Repeat steps 2 and 3.
4.	1500KC	"	"	A7	Adjust for maximum.

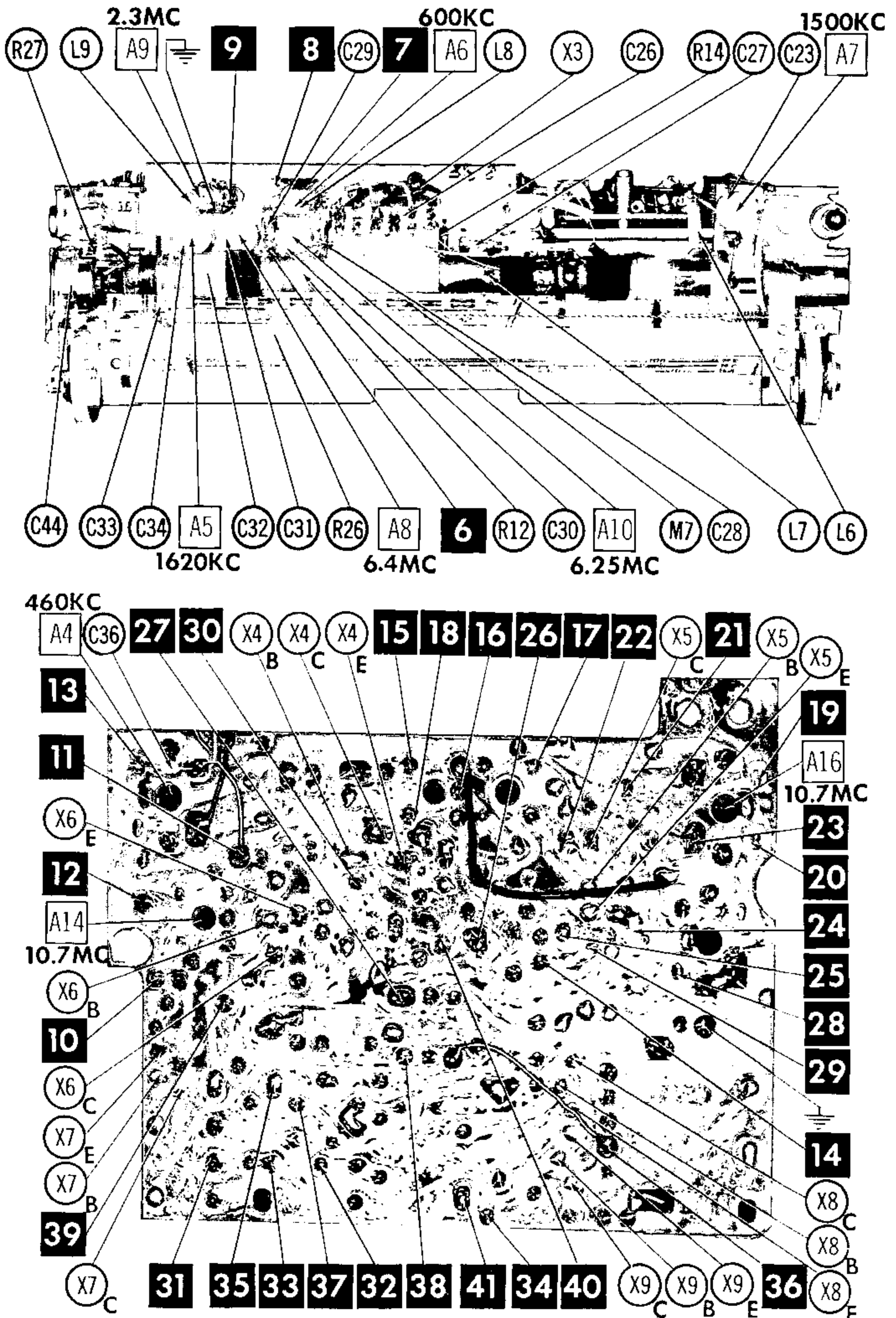
SW ALIGNMENT - SELECTOR IN SW POSITION

5.	6.4MC	"	"	A8	Adjust for maximum.
6.	2.3MC	"	"	A9	"
7.	6.25MC	"	"	A10	"

FM ALIGNMENT - SELECTOR IN FM POSITION

8.	10.7MC	Tuning gang fully open.	DC probe of VTVM to point \diamond A, common to ground.	All, A12, A13, A14, A15	Adjust for maximum.
9.	"	"	DC probe to point \diamond B, common to ground.	A16	Adjust for zero reading. A positive and negative reading will be obtained on either side of the correct setting.
10.	110MC	Tune to signal.	DC probe to point \diamond A, common to ground.	A17	Adjust for maximum.
11.	90MC	"	"	A18, A19	"
12.	108MC	"	"	A20	"





PARTS LIST AND DESCRIPTION

TRANSISTORS

ITEM No.	ORIG. TYPE	USE	REPLACEMENT DATA				NOTES
			DELCO PART No.	GENERAL ELECTRIC PART No.	RCA PART No.		
X1	OC815	FM RF Amp.	DS-25	GE-1	2N1177	PNP	
X2	OC815	FM Conv.	DS-25	GE-1	2N1178	PNP	
X3	AF105A	1st FM IF Amp. -AM Conv.	DS-25	GE-1	2N1180	PNP	
X4	AF105A	2nd FM-1st AM IF Amp.	DS-25	GE-1	2N1180	PNP	
X5	AF105A	3rd FM-2nd AM IF Amp.	DS-25	GE-1	2N1180	PNP	
X6	CC75	AF Amp.	DS-26	GE-2	2N406	PNP	
X7	OC75	Driver	DS-26	GE-2	2N406	PNP	
X8	OC74	Output	DS-26	GE-2	2N408	PNP	
X9	OC74	Output	DS-26	GE-2	2N408	PNP	

ELECTROLYTIC CAPACITORS

ITEM No.	RATING	REPLACEMENT DATA								
		CAP.	VOLT.	BLAUPUNKT PART No.	AEROVOX PART No.	CORNELL-DUBILIER PART No.	GENERAL ELECTRIC PART No.	GENERAL INSTRUMENT PART No.	MALLORY PART No.	SPRAGUE PART No.
C1	100	15			CRE473A	NLW100-15	MT1-18	MLV100-15	TT15X100	TE-1162
C2	1000	12			CRE462A	BRI1000-12	MT1-10	MLV25-15	TT15X35	TE-1157.1
C3	25	15			CRE404A	NLW25-15	MT1-3	MLV5-12	TT12X5	TE-1127
C4	5	12			CRE404A	NLW5-15	MT1-3	MLV5-12	TT12X5	TE-1127
C5	5	12			CRE757A	NLW10-50	MT1-6	MLV10-50	TT15X10	TE-1304
C6	10	30			CRE404A	NLW5-15	MT1-3	MLV5-12	TT12X5	TE-1127
C7	5	12			CRE473A	NLW100-15	MT1-19	MLV100-15	TT15X100	TE-1162
C8	100	15			CRE404A	NLW5-15	MT1-3	MLV5-12	TT12X5	TE-1127
C9	5	12			CRE473A	NLW100-15	MT1-19	MLV100-15	TT15X100	TE-1162
C10	100	15			CRE473A	NLW100-15	MT1-19	MLV100-15	TT15X100	TE-1162

FIXED CAPACITORS

ITEM No.	RATING	REMARKS	REPLACEMENT DATA						
			AEROVOX PART No.	CORNELL-DUBILIER PART No.	CORNELL-DUBILIER PART No.	ELMENCO PART No.	MALLORY PART No.	SPRAGUE PART No.	
C11	47 N750		DI 180	TCN-47	C10Q47U	CCTN-470	CNTN-447	10TCU-Q47	
C12	50			ED-181	LA10T18-S8	CCD-181	GP318	5GA-T18	
C13	180			829-10			CN7-533		
C14	1.5-9.5						GP347		
C15	3 N750						GP347		
C16	470			BEED-00047	CK80AX47IK	CCD-471	GP347	10TCU-V33	
C17	470			BEED-00047	CK80AX47IK	CCD-471	GP347	5GAB-T47	
C18	5.1 N150						GP347	5GAB-T47	
C19	1.5-8.5								
C20	180 N750 5%								
C21	3			DI 3.3	CK60BK3R3K	CCTO-3R3	GP-533	10TCC-V30	
C22	39 N150 2%								
C23	3-12								
C24	120								
C25	22 N750 5%	(20) 1		BI 4700	TCN-22	CCD-472	CN7-422	10TCU-Q22	
C26	.0047			BI 4700	D6-472	CCD-472	GP247	5GAB-D47	
C27	.0047			BE2S1	D6-472	CCD-472	GP247	5GAB-D47	
C28	.01 125V				DDM-103	IDP-1-103	PVC-211	192PI0392	
C29	120				CPR-120J				
C30	6-25								
C31	4-20								
C32	.00165								
C33	890								
C34	6-25								
C35	.0015								
C36	1.5			NPO-DI 1.5	CPR-1500J	IDP-1-682	CNO-515	10TCC-V15	
C37	.0068				DTZ-1R5			192P8292	
C38	36 N150 5%								
C39	.0015								
C40	.01			TTD-01	CK-103				
C41	.002				DM-202				
C42	100 N750				TCN-100				
C43	.01 125V			BE2S1	DDM-103				

FIXED CAPACITORS

ITEM No.	RATING	REMARKS	REPLACEMENT DATA						
			AEROVOX PART No.	CORNELL-DUBILIER PART No.	CORNELL-DUBILIER PART No.	ELMENCO PART No.	MALLORY PART No.	SPRAGUE PART No.	
C44	.002								
C45	.022 125V		BE2S22	DDM-203	CPR-2000J	WMF2S22	IDP-1-123	PVC-122	102P22302
C46	.022 125V		BE2S22	DDM-203	DDM-203	WMF2S22	IDP-1-123	PVC-122	102P22302
C47	.001 10%		SI1000		LA10D1-C4	LA10D1-C4	CCS-102	JL-210	10119-110
C48	360		BE2P1	CPR-360J		WMF2P1	IDP-2-104	PVC-101	102P10402
C49	.1 160V		BE2P1	DF-104		WMF2P1	IDP-2-104	PVC-101	102P10402
C50	.1 160V		BE2P1	DF-104		WMF2P1	IDP-1-253	TA-110	102P27302
C51	.027 125V		TTD-01	CK-103	R2	R2	CCTN-560	CN7-456	TG-S10
C52	.01			TCN-56		WMF2P1	IDP-2-104	PVC-101	10TCU-Q56
C53	56 N750		BE2P1	DF-104		WMF2P1	IDP-2-104	PVC-101	192P10492
C54	.1 160V		SI 4700	D6-472	LA10D47-C4	LA10D47-C4	CCD-472	OP247	5GAB-D47
C55	.0047								
C56	.0015								

CONTROLS

All wattages 1/2 watt, or less, unless otherwise listed.

ITEM No.	USE	REPLACEMENT DATA						
		RESISTANCE	BLAUPUNKT PART No.	AEROVOX PART No.	CORNELL-DUBILIER PART No.	CORNELL-DUBILIER PART No.	ELMENCO PART No.	MALLORY PART No.
R1	Volume & Switch	25K						
R2	FM Level	5000Ω						
R3	Bias Output	25Ω						

COILS (RF-IF)

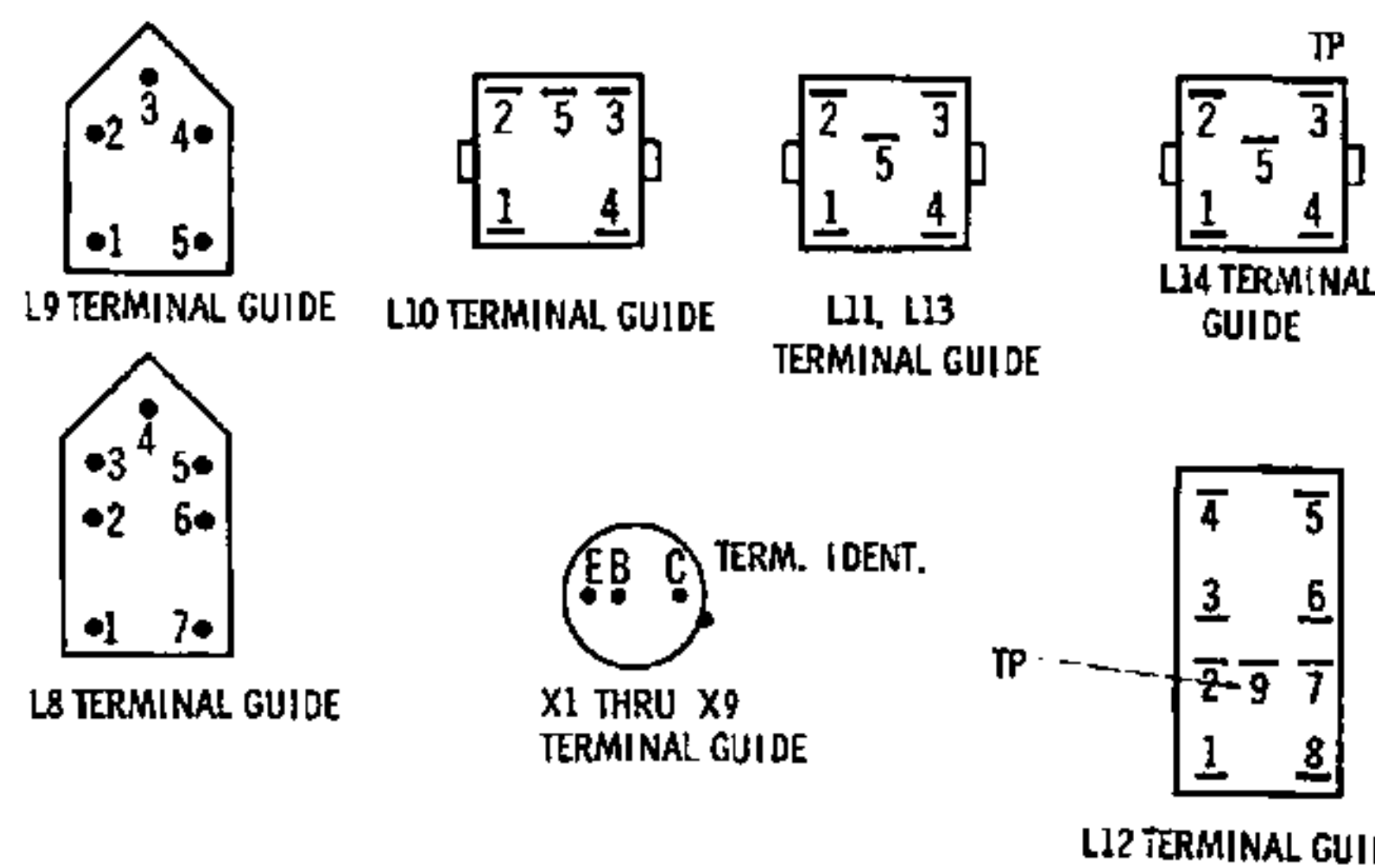
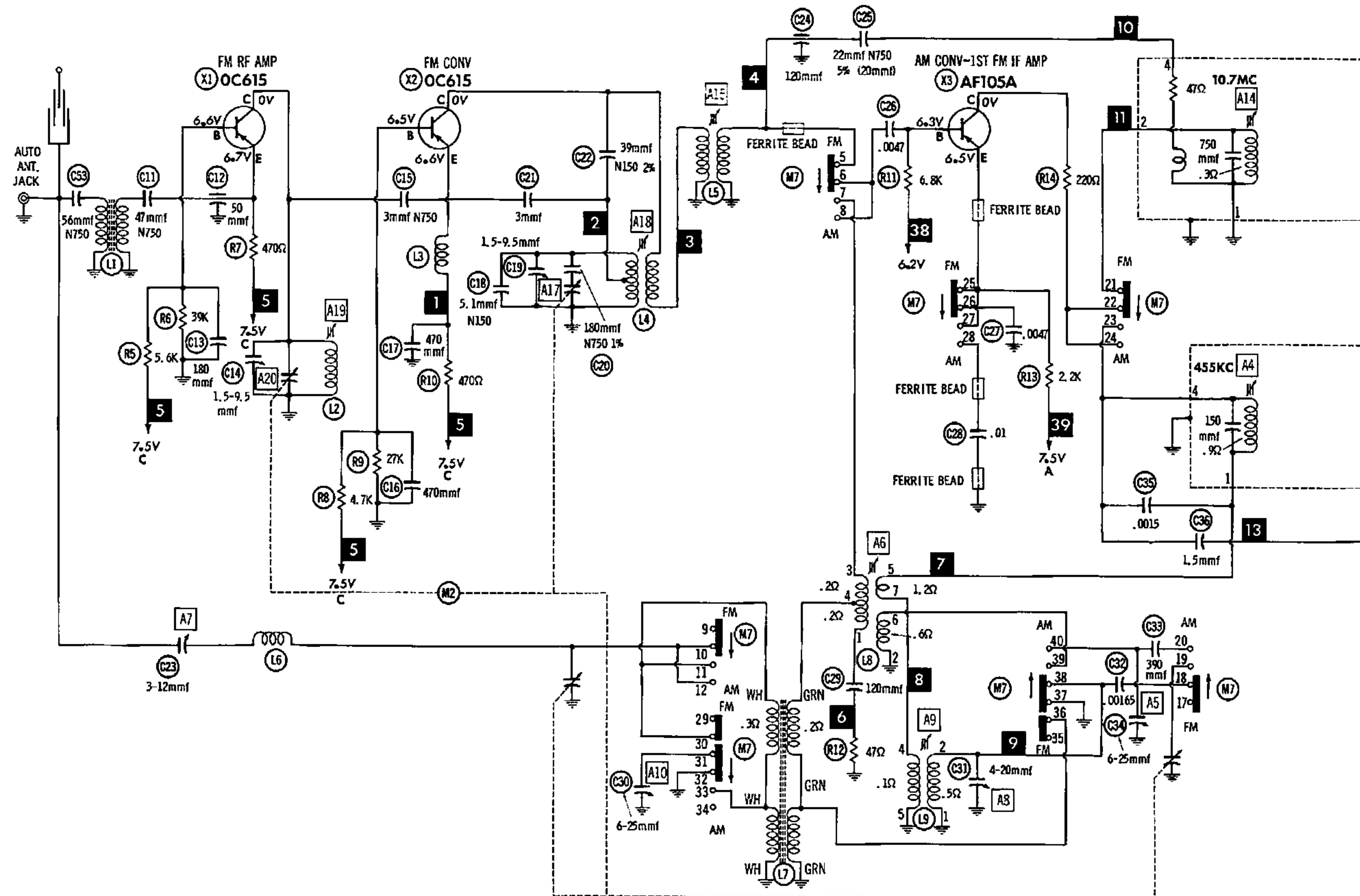
ITEM No.	USE	REPLACEMENT DATA						
		BLAUPUNKT PART No.	MERIT PART No.	MILLER PART No.	STANCOR PART No.	WORKMAN PART No.	NOTES	
L1	FM Ant. Matching							
L2	FM RF							
L3	RF Choke (4 turns)							
L4	FM Osc.							
L5	1st FM IF							
L6	RF Choke (4uh)		BC-564	4608	RTC-851B	T858		
L7	Loopstick							
L8	BC Osc.							
L9	SW Osc.							
L10	2nd FM IF							
L11	1st AM IF							
L12	3rd FM-2nd AMIF							
L13	Ratio Detector							
L14	3rd AM IF							
L15	RF Choke (4uh)							
L16	RF Choke (4uh)							

TRANSFORMER (DRIVER)

ITEM No.	TURNS RATIO	REPLACEMENT DATA						
		BLAUPUNKT PART No.	MERIT PART No.	STANCOR PART No.	THORADSON PART No.	THORADSON PART No.	NOTES	
T1	4:1							

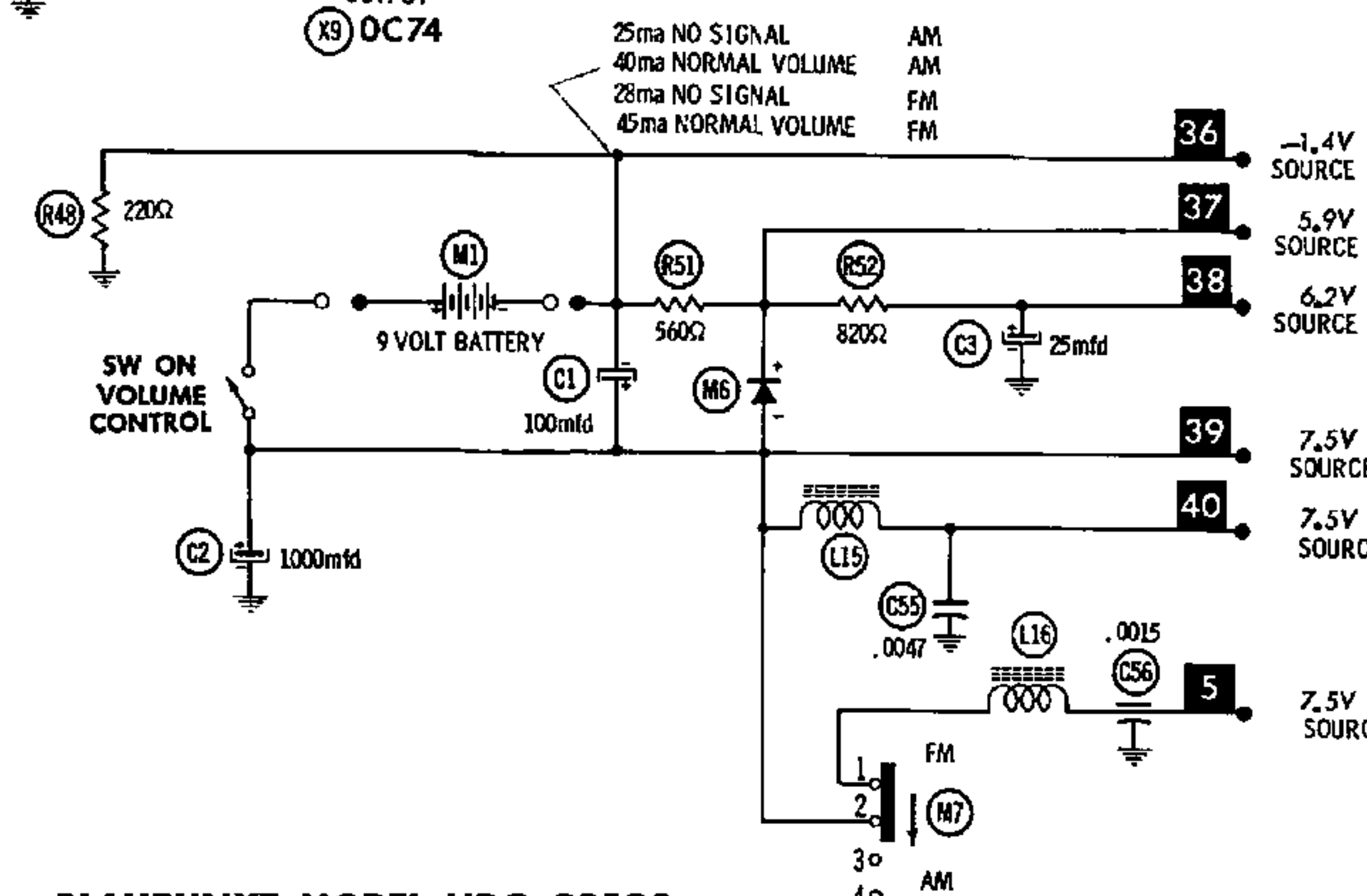
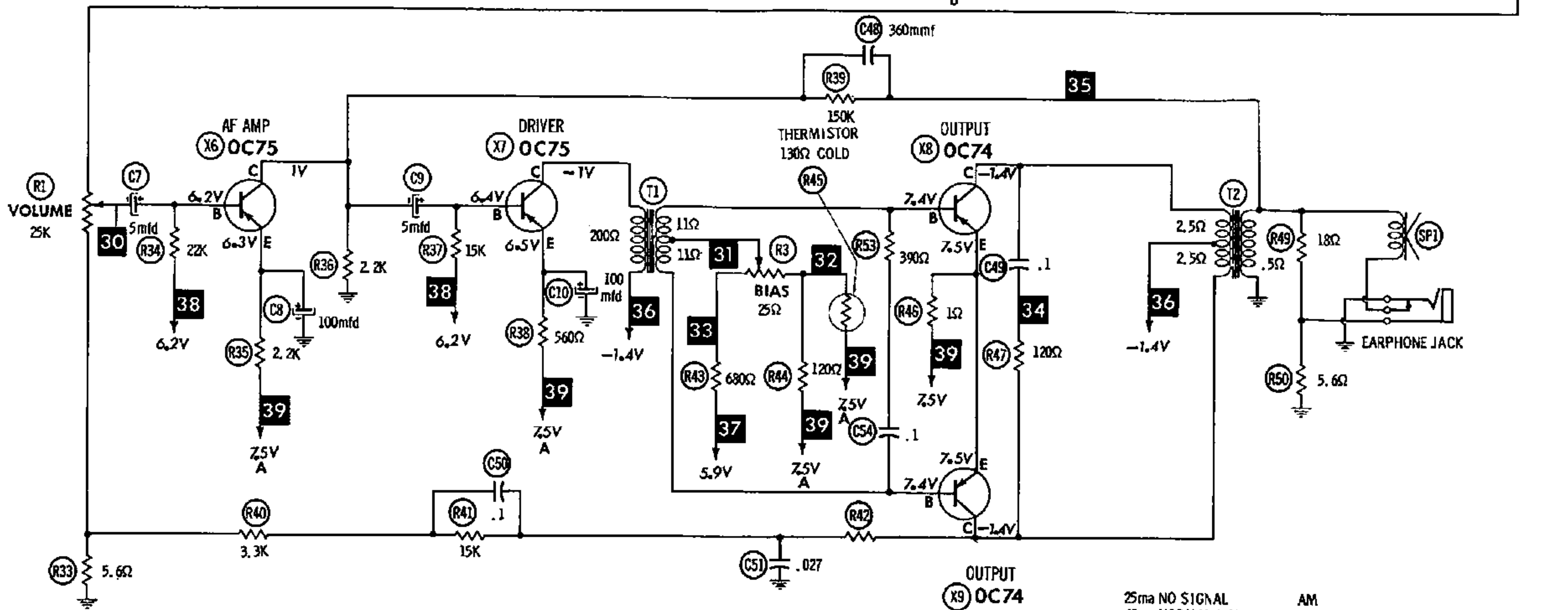
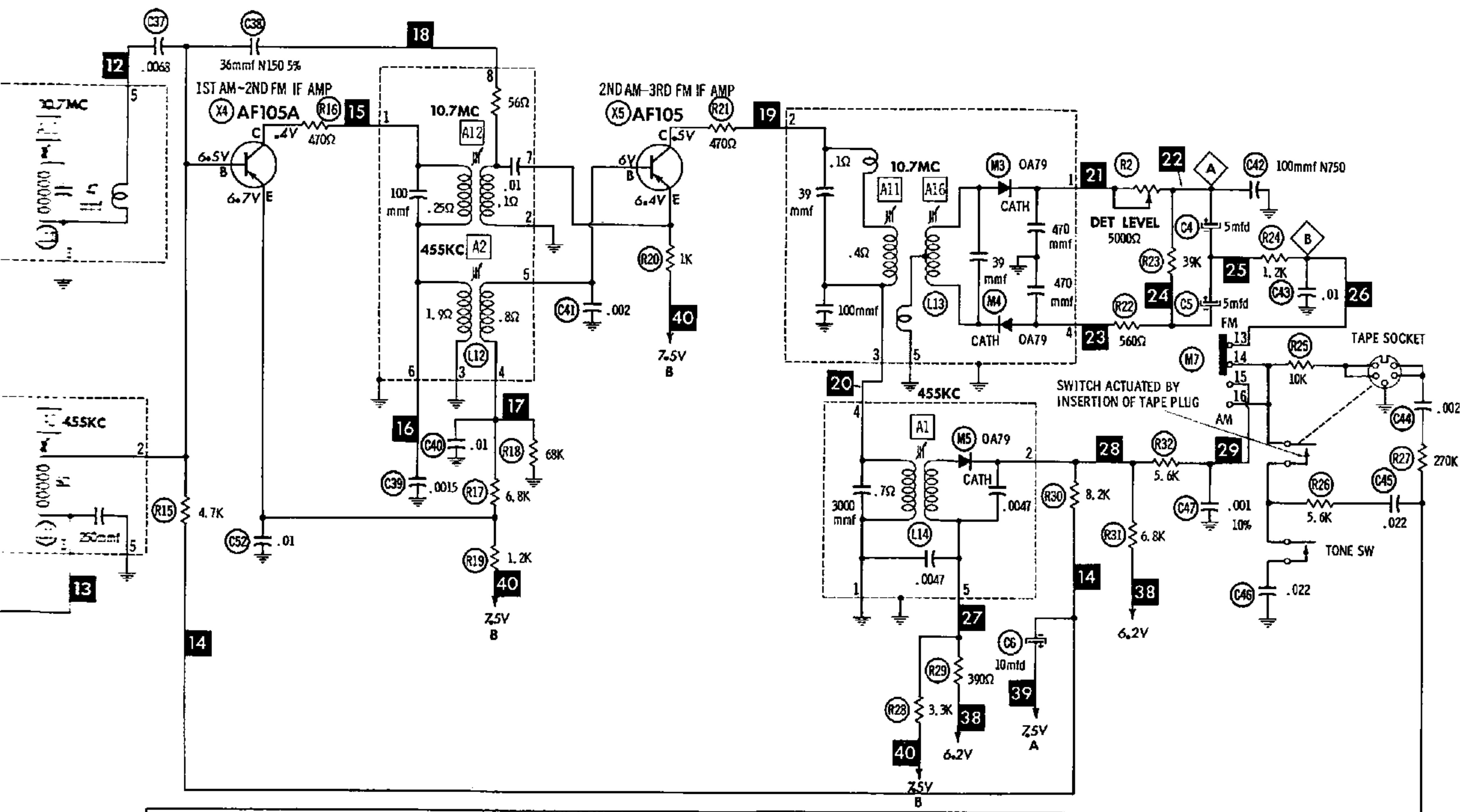
TRANSFORMER (AUDIO OUTPUT)

ITEM No.	IMPEDANCE	REPLACEMENT DATA						
		BLAUPUNKT PART No.	MERIT PART No.	STANCOR PART No.	THORADSON PART No.	THORADSON PART No.	NOTES	
T2	64Ω CT 4-8Ω							



1. Voltage measurements taken with vacuum tube voltmeter.
2. All controls set for normal operation, no signal applied.
3. Measured values are from socket pin or terminal to common ground.
4. All terminals viewed from bottom unless otherwise designated.
5. Numbers assigned to terminals may not be found on the unit.
6. Supply voltage maintained at rated value for voltage readings.
7. Resistance measurements not given because of the wide variation in internal resistance of transistor.

- FUNCTION SW SHOWN
IN FM POSITION
SWITCH SEQUENCE
1. FM
 2. SW
 3. AM



BLAUPUNKT MODEL LIDO 22503

PARTS LIST AND DESCRIPTION (CONTINUED)

SPEAKER

ITEM No.	TYPE	REPLACEMENT DATA		NOTES
		Blaupunkt PART No.	QUAM PART No.	
SP1	4" PM 4-8Ω		4A05Z5	

BATTERIES

ITEM No.	VOLTAGE	Blaupunkt PART No.	REPLACEMENT DATA			NOTES
			BURGESS	EVEREADY	MALLORY	
M1	9V		D6	276	M1603	

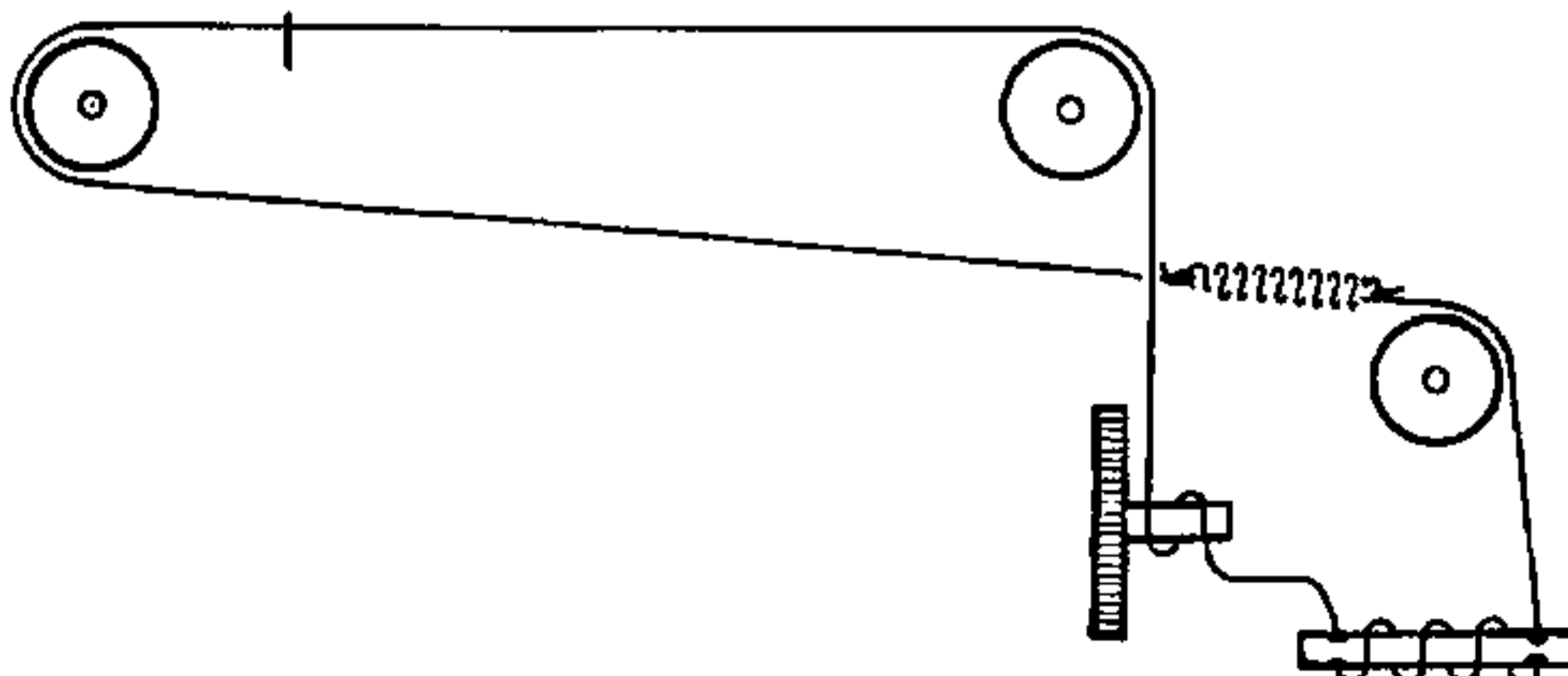
MISCELLANEOUS

ITEM No.	PART NAME	Blaupunkt PART No.	NOTES
M2	Tuning Cap.		
M3	Rat. Det. (OA79)		
M4	Ratio Det. (OA79)		
M5	AM Det. (OA79)		
M6	FM Bias		
M7	Function Switch		

WIRING DATA

General-use Unshielded Hook-up Wire	Use DELDEN No.	8530 (Solid 22AWG)	Available
		8524 (Stranded 22AWG)	in
		8570 (Stranded 26AWG)	12 Colors

DIAL CORD STRINGING



FM RF SUBCHASSIS

A Howard W. Sams CIRCUITRACESM Photo

