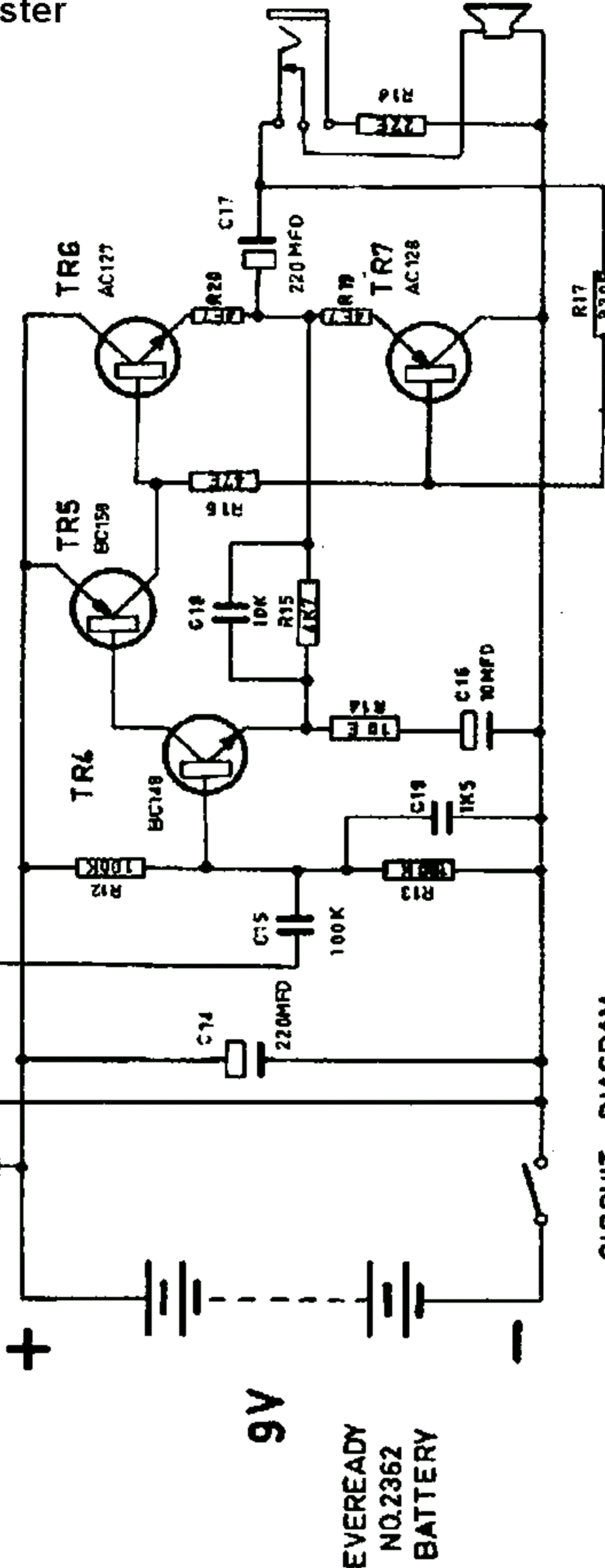
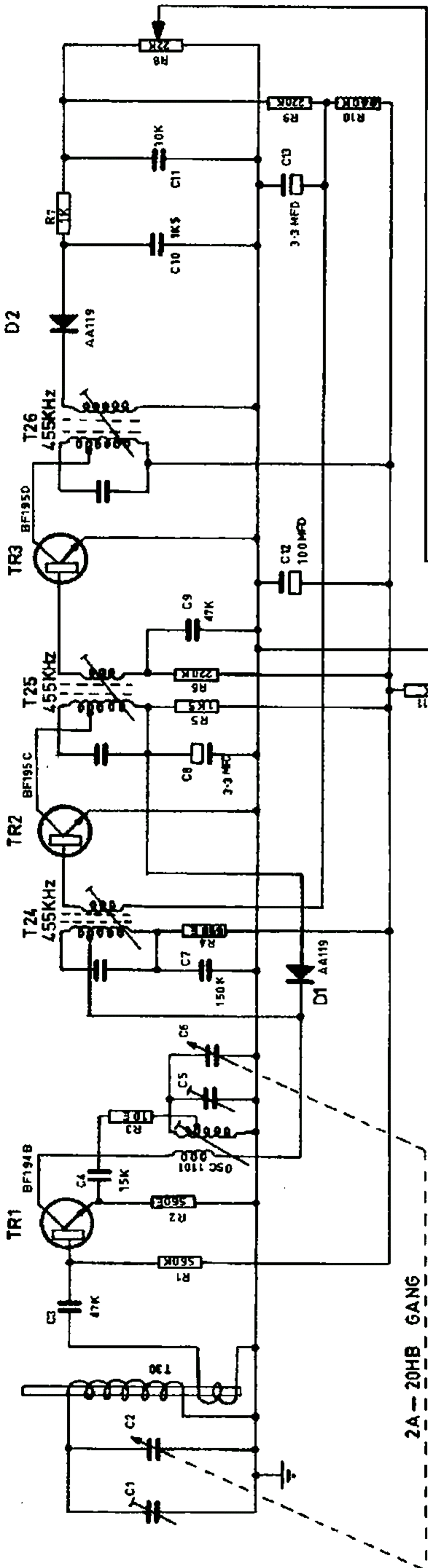


Met dank aan John Koster



CIRCUIT DIAGRAM

TRANSISTOR	COLLECTOR	BASE	EMITTER	VIEW BOTTOM OF TRANSISTOR
TR1	5 V	1 V	0-7 V	B
TR2	5 V	0-6 V	0 V	C
TR3	5-8 V	0-6 V	0 V	E
TR4	8-3 V	4-2 V	4 V	TR4 E
TR5	4 V	8-3 V	9 V	TR5 B
TR6	8 V	4 V	3-9 V	TR6 E
TR7	0 V	3-8 V	3-8 V	TR7 C-DOT

ALL VOLTAGES MEASURED WITH A 48000 OHMS/VOLT METER. NO SIGNAL CONDITIONS.

QUIESCENT CURRENT: APPROX 8MA.

FREQUENCY RANGE 520 KHZ TO 1680KHZ

ISSUE \_\_\_\_\_ REVISION \_\_\_\_\_

DATE 25/11/69 DRAWN BY A. G. B. CHECKED BY \_\_\_\_\_

**BELL RADIO TELEVISION**

SERVICE DATA FOR **TR 250**

DWG