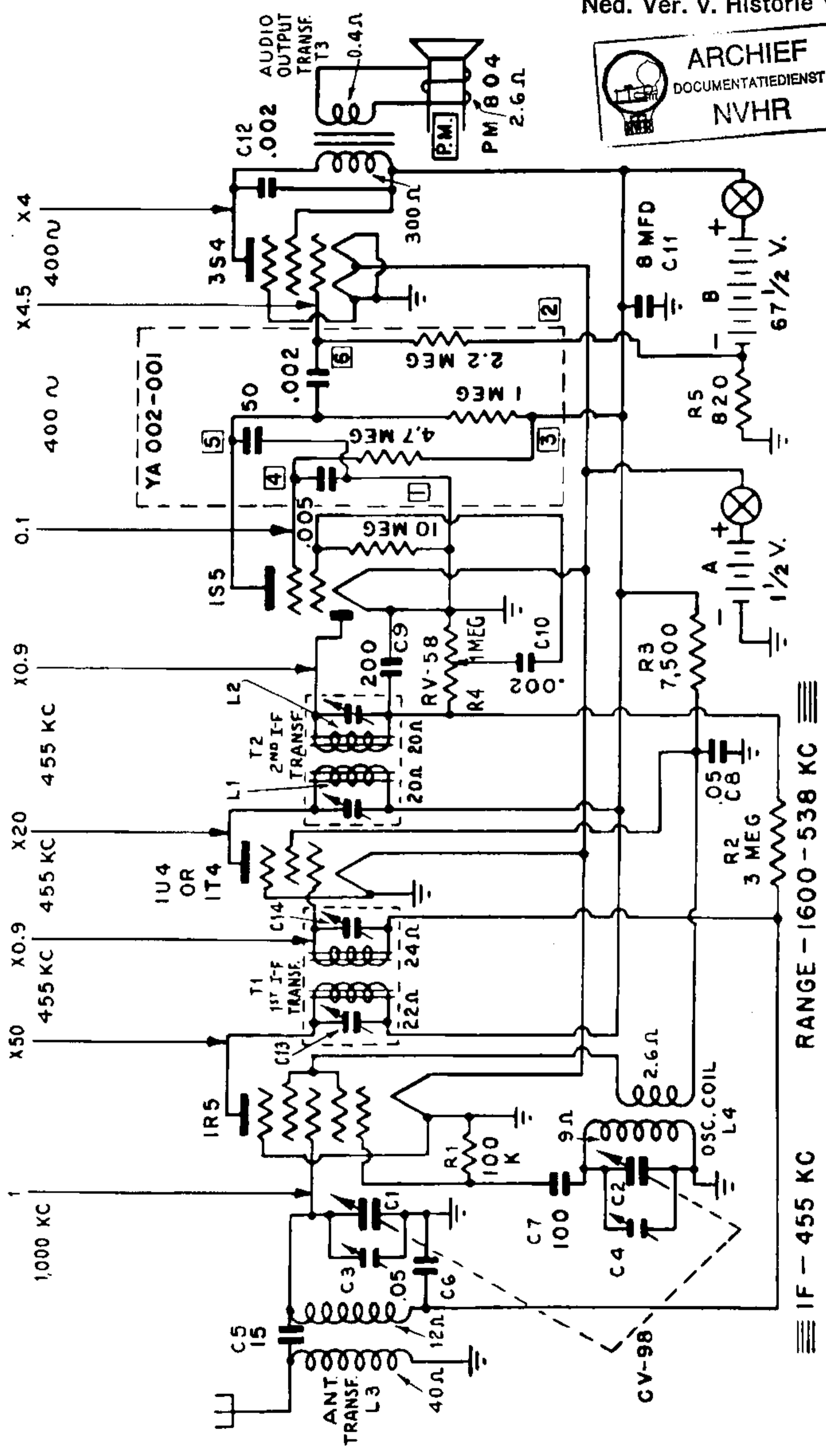
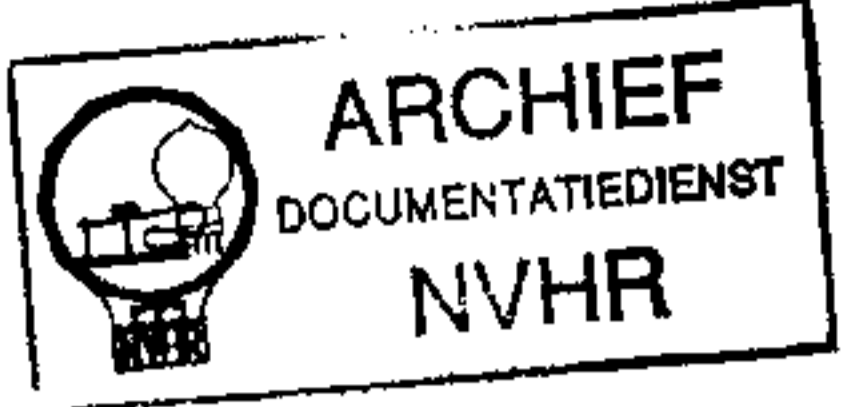


AUTOMATIC RADIO MFG. CO., INC.

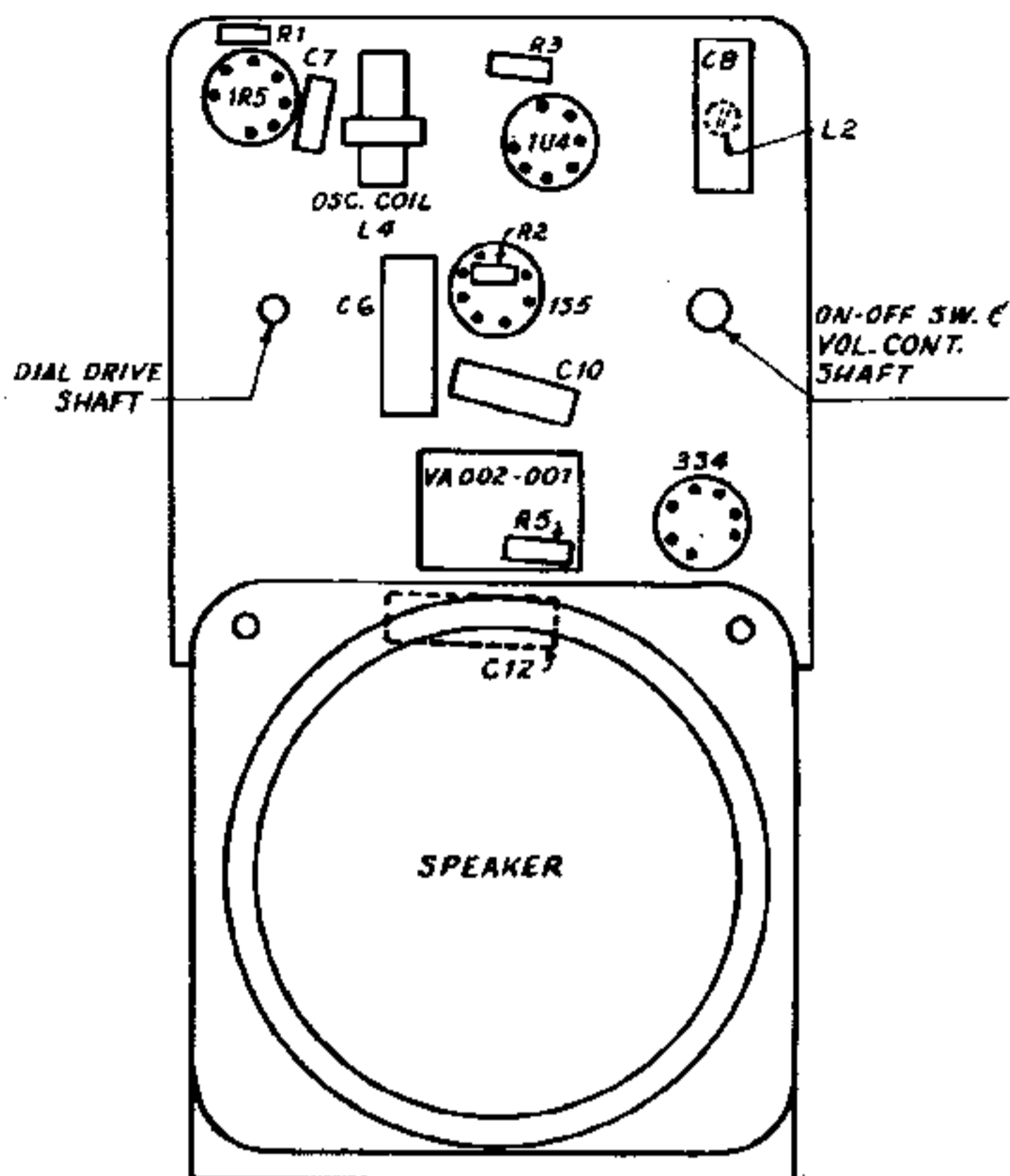
MODEL B-44
Bike Radio

Ned. Ver. v. Historie v/d Radio



IF - 455 KC RANGE - 1600 - 538 KC

MODEL B-44
Bike Radio



BOTTOM VIEW

TUBE	PIN	V.T.V.R.	20,000 Ω /v.	RESISTANCE
1R5 CONV.	1	GND.	GND.	GND.
	2	+58	+58	OVER 1 MEG.
	3	+44	+44	OVER 1 MEG.
	4	-10	-6.5	175K
	5	0	0	LESS THAN 0.1 Ω
	6	0	0	INFINITE
	7	+1.5	+1.5	5 Ω
1U4 or 1T4 I.F. AMPL.	1	GND.	GND.	GND.
	2	+58	+58	OVER 1 MEG.
	3	+44	+44	OVER 1 MEG.
	4	N.C.	N.C.	N.C.
	5	GND.	GND.	GND.
	6	0	0	4 MEG.
	7	+1.5	+1.5	5 Ω
1R5 DET. A.V.C. 1st AUDIO	1	GND.	GND.	GND.
	2	0	0	INFINITE
	3	0	0	28 Ω *
	4	+14	+10	OVER 5 MEG.
	5	+20	+16	OVER 1 MEG.
	6	0	0	10 MEG.
	7	+1.5	+1.5	5 Ω
3S4 AUDIO OUTPUT	1	GND.	GND.	GND.
	2	+56	+56	OVER 1 MEG.
	3	-7	-1	2.2 MEG.
	4	+58	+58	OVER 1 MEG.
	5	+1.5	+1.5	5 Ω
	6	+56	+56	OVER 1 MEG.
	7	GND.	GND.	GND.

Voltage and resistance measurements were made with respect to chassis ground, and with a B supply voltage of 65 V.D.C.

*With Vol. Cont. full counter clockwise the resistance is 28 Ω
With Vol. Cont. full clockwise the resistance is 1 MEG.

ALIGNMENT PROCEDURE

Connect output meter across voice coil.

Connect the signal generator to the standard Hazeltine Loop Model 1150 and couple it loosely to the receiver loop. Set the volume control at maximum, and fully mesh the tuning capacitor.

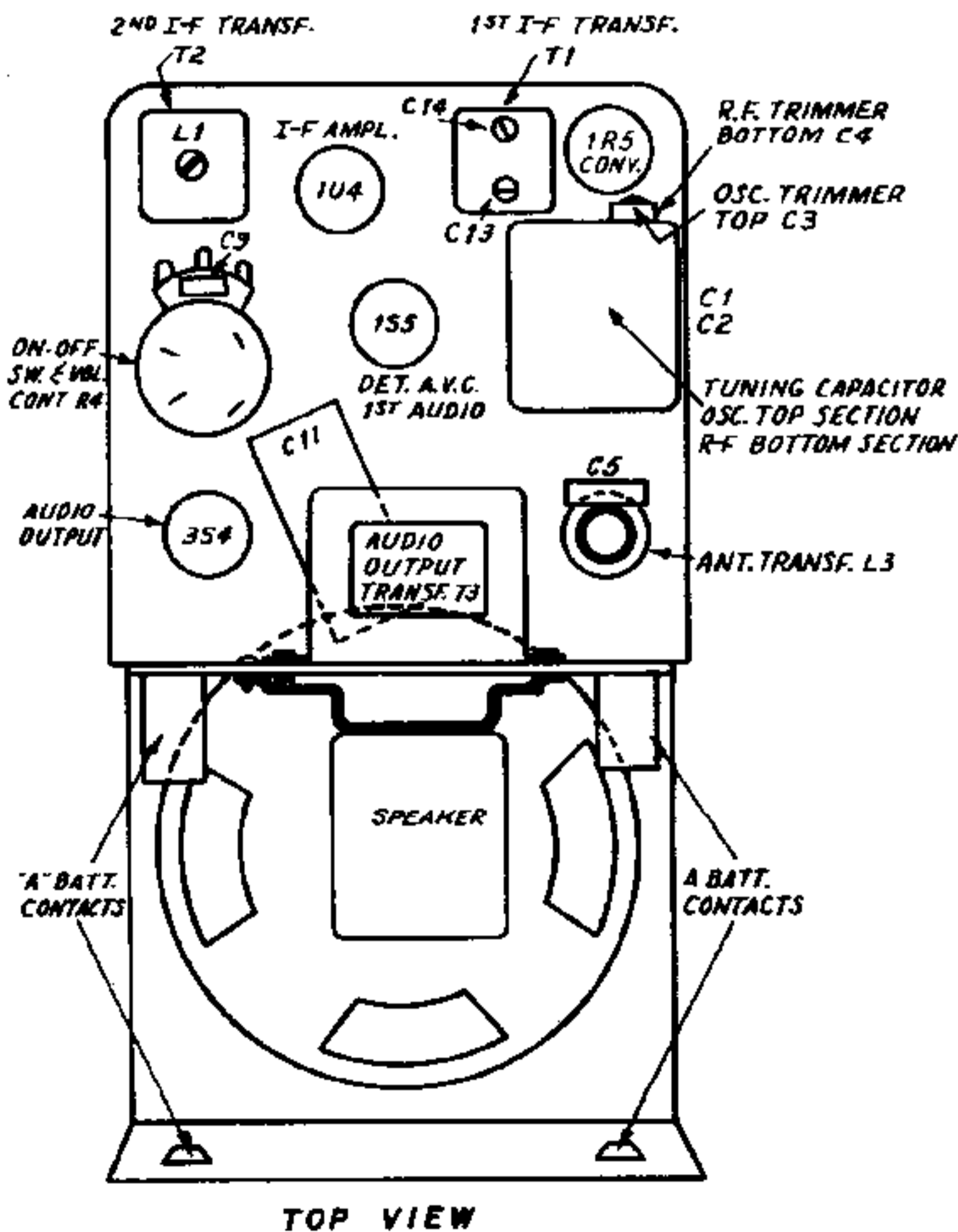
The output of the signal generator should be just sufficient to give a readable deflection on the output meter.

Set the signal generator to 455 kc and adjust i-f trimmers and slugs for maximum output in the following order: L2, L1, C14, C13. Repeat sequence if trimmers were badly maladjusted.

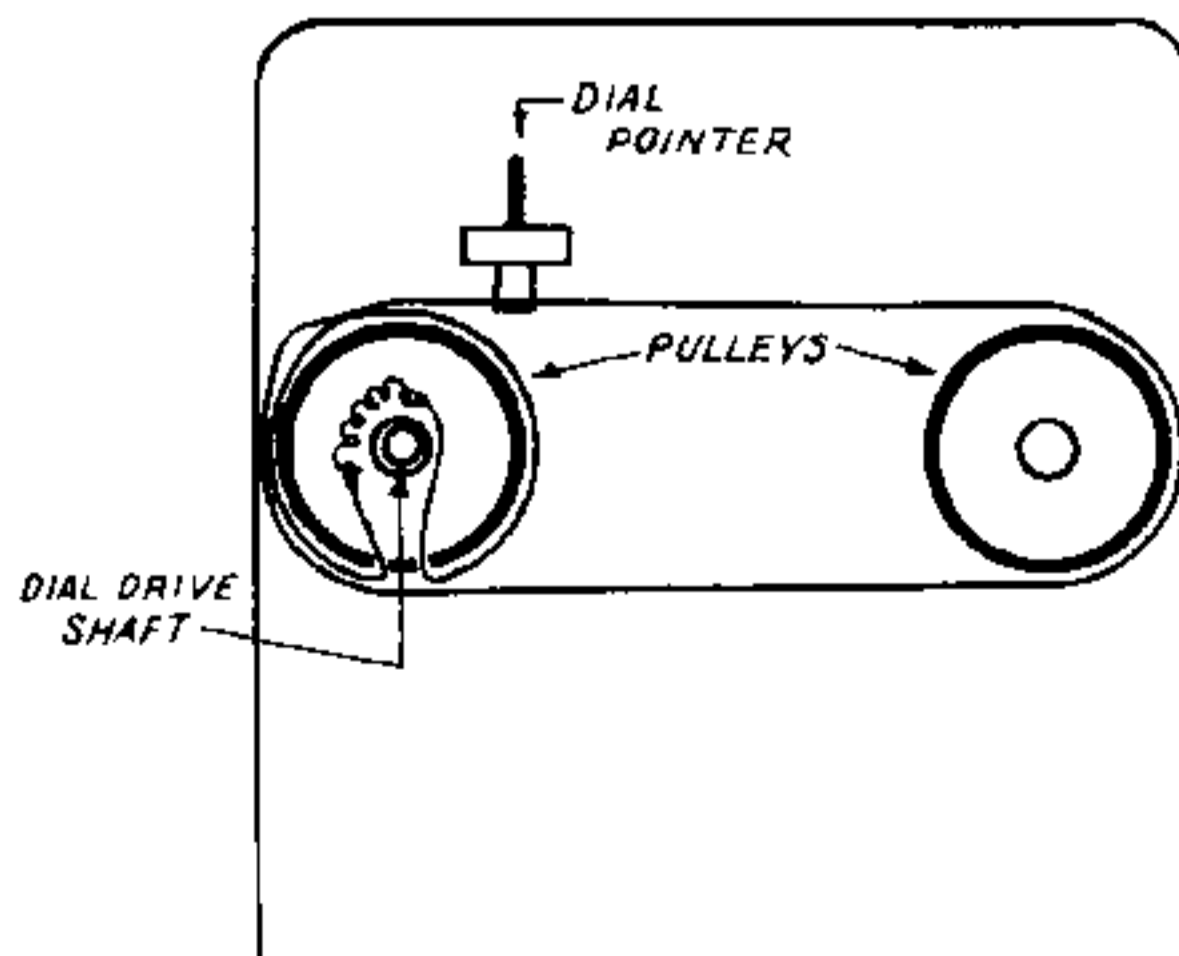
Set the signal generator and receiver to 1500 kc and adjust the oscillator trimmer C4 for maximum output.

Set the signal generator and receiver to 1400 kc and adjust the antenna trimmer C3 for maximum output.

Set the signal generator and receiver to 1500 kc and readjust oscillator trimmer C4 for maximum output



TOP VIEW



NOTE: TUNING CAPACITOR IN MAXIMUM CAPACITY POSITION