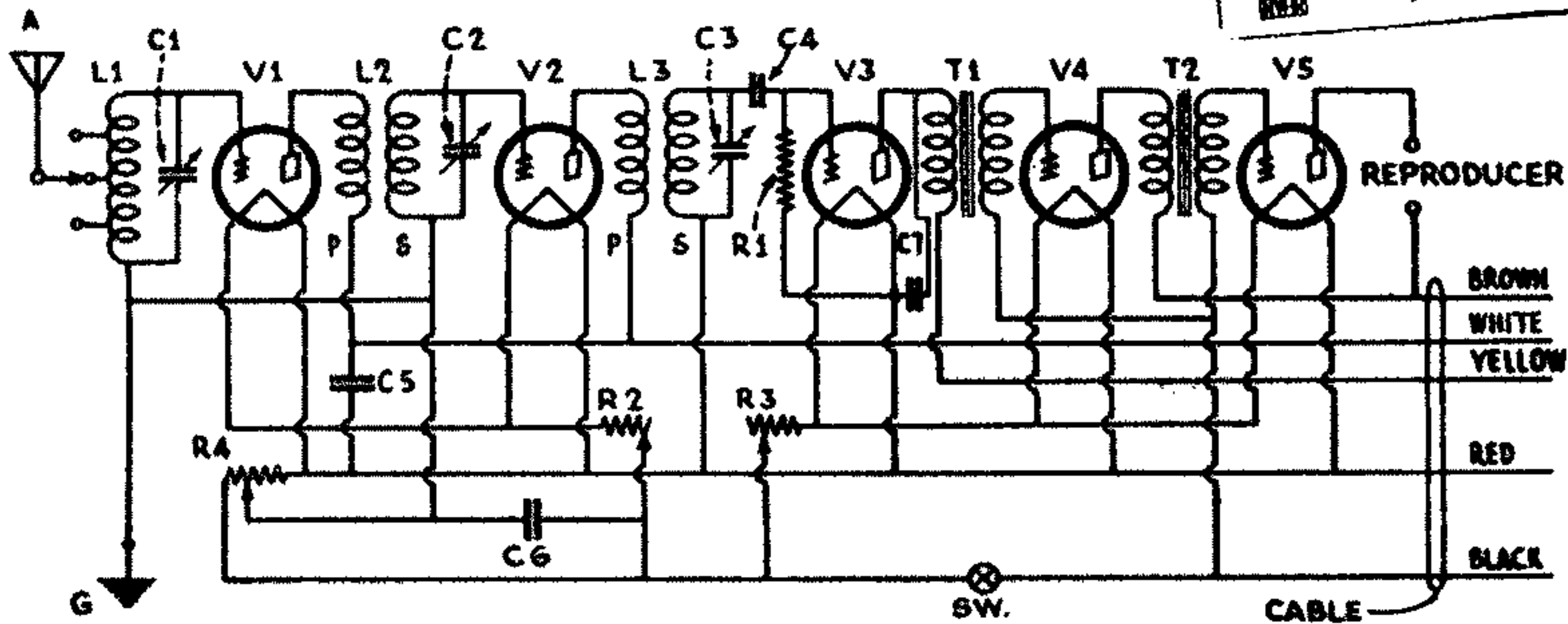
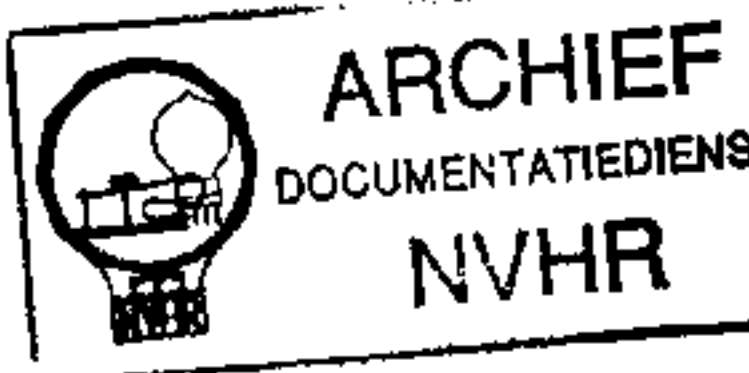


ATWATER KENT



The Atwater Kent "Model 10B," a very early "breadboard" receiver. The circuit is quite simple, and the controls numerous. It is designed for storage-battery tubes, and has potentiometer R.F. control. It may be readily altered to use a power tube.