

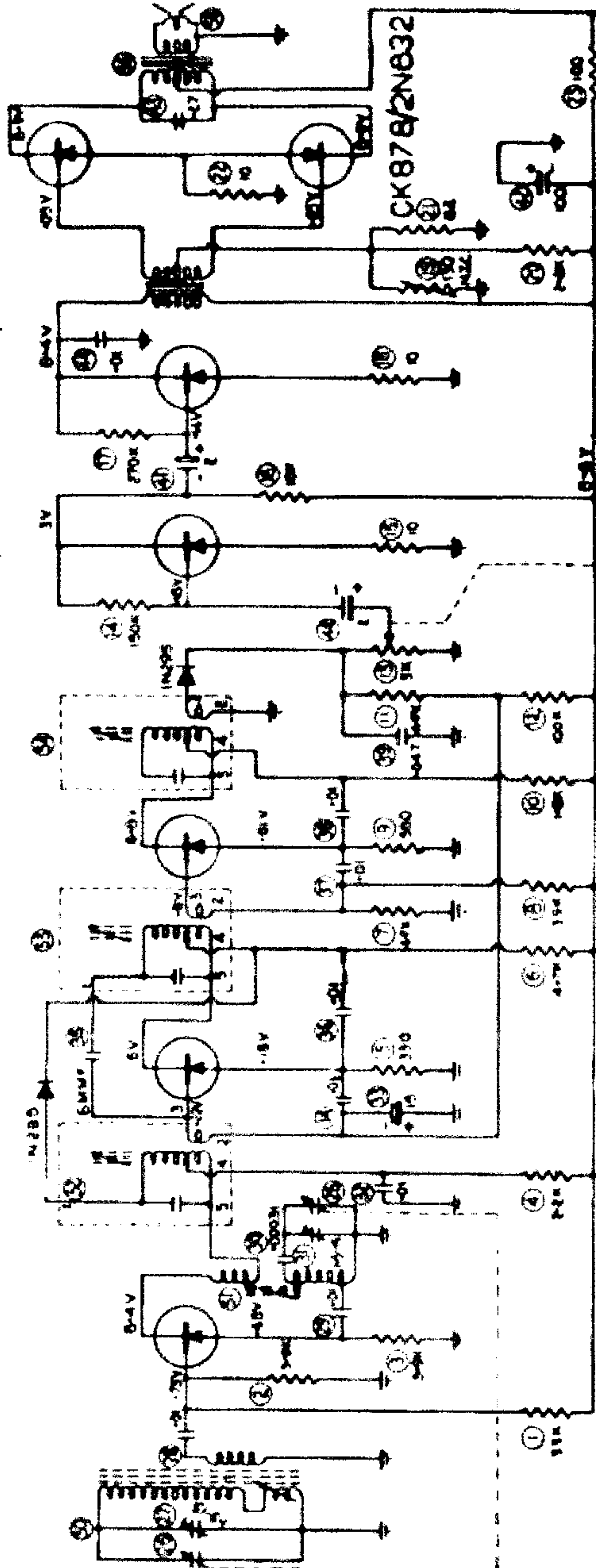
2N486

2N484

2N484

CK872/2N362 CK872/2N362 CK878/2N632

CK878/2N632



TRANSISTOR ELECTRICAL ALTERNATIVES

FUNCTION	RAYTHEON	PHILIPS	STL
CONVERTER	2N486	5C44	-
1 <sup>st</sup> LT. AMP.	2N484	6C44	-
2 <sup>nd</sup> LT. AMP.	2N484	6C45	-
1 <sup>st</sup> AUDIO DFR	CK872/2N362	6C7	15E
2 <sup>nd</sup> AUDIO DFR	CK872/2N362	6C7	15E
PUSH-PULL	CK878/2N632	12-0C72	-
OUTPUT	CK878/2N632	12-0C72	-

TRANSISTOR ELECTRICAL ALTERNATIVES

FUNCTION	RAYTHEON	PHILIPS	[S.T.C.]
CONVERTER	2N486	5C44	-
1 <sup>st</sup> LT. AMP.	2N484	6C44	-
2 <sup>nd</sup> LT. AMP.	2N484	6C45	-
1 <sup>st</sup> AUDIO DFR	CK872/2N362	6C7	15E
2 <sup>nd</sup> AUDIO DFR	CK872/2N362	6C7	15E
PUSH-PULL	CK878/2N632	12-0C72	-
OUTPUT	CK878/2N632	12-0C72	-

MODEL HPN.

I.F. 455 KC/S.

DIODE ELECTRICAL ALTERNATIVES

FUNCTION	RAYTHEON	PHILIPS
AM.C.	1N658	0A7B
DETECTOR	1N658	0A7B

ALL VOLTAGES MEASURED BETWEEN POINTS INDICATED AND CHASSIS WITH A D.C. VACUUM TUBE VOLTMETER.



DOCUMENTATIENDIENS NVHR