

OC74

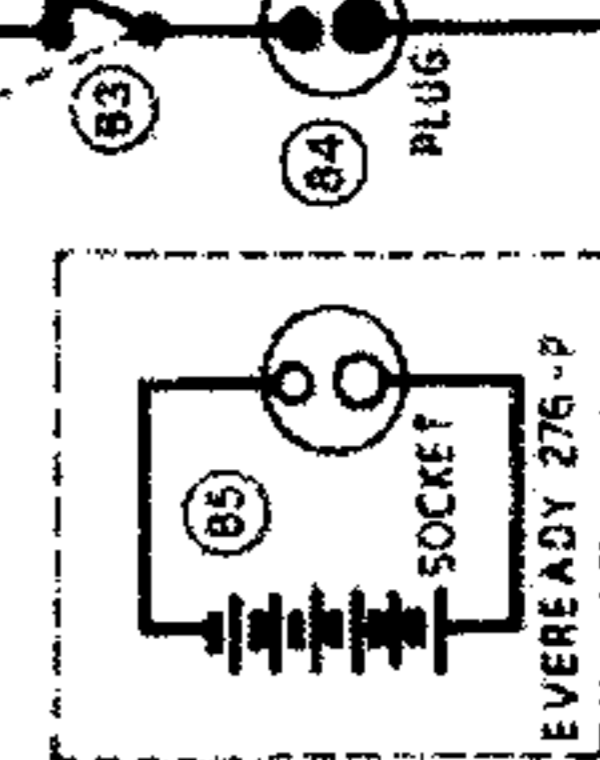
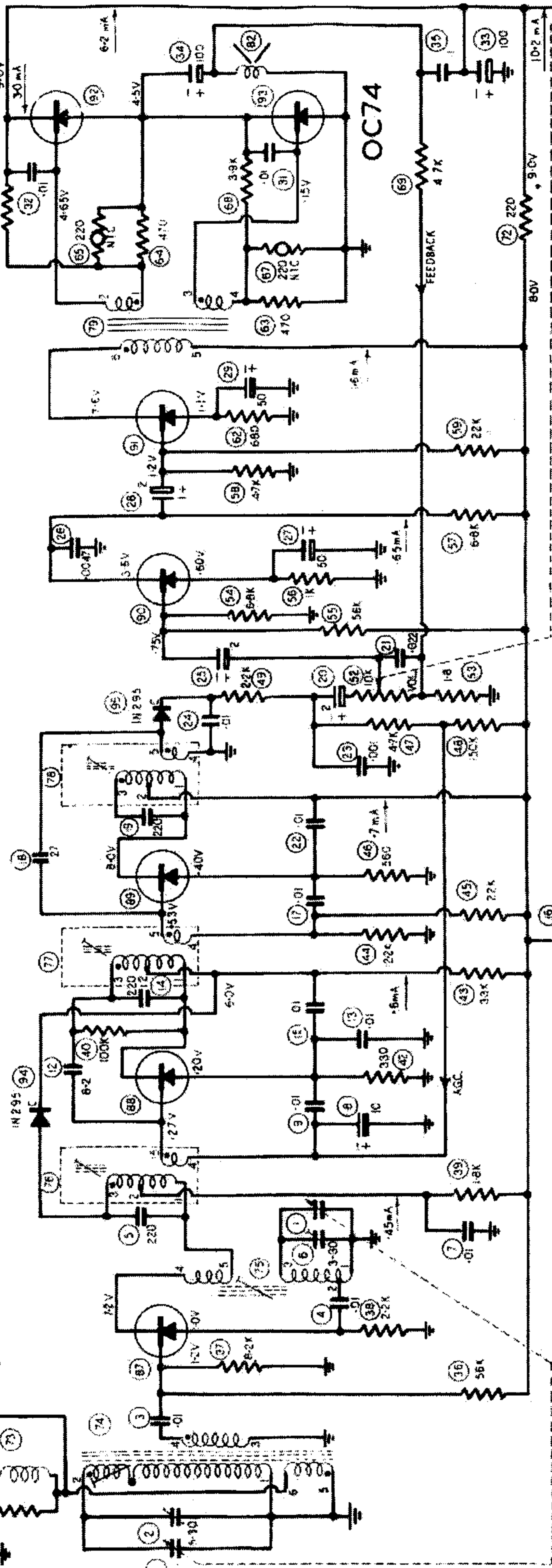
2N406

2N406

2N410

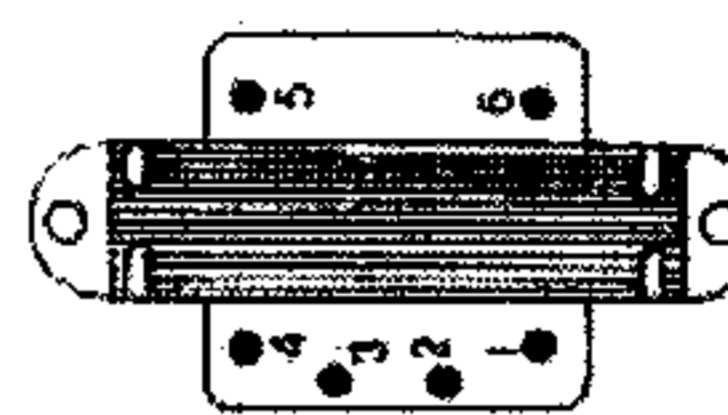
2N410

2N412



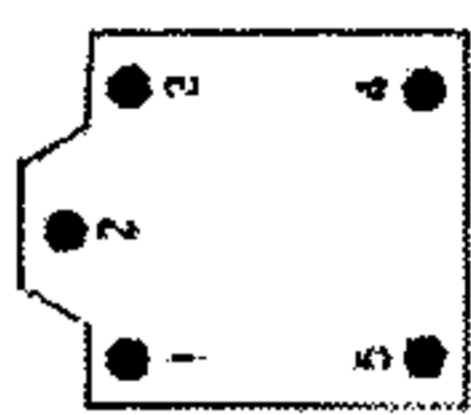
ALL VOLTAGES MEASURED BETWEEN POINTS INDICATED AND COMMON POSITIVE WITH A D.C. VACUUM TUBE VOLTMETER. (NO SIGNAL)
CURRENTS INDICATED ARE MEASURED WITH AVO MULTIMETER MODEL 8. (NO SIGNAL)

UNDERSIDE VIEW



DRIVER TRANSFORMER

BASE VIEW



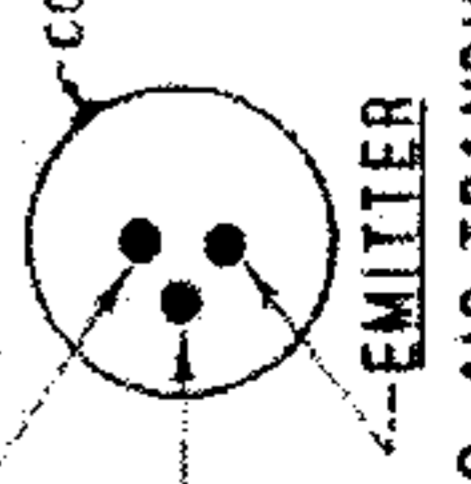
OSCILLATOR COIL & IF TRANSFORMER

COLLECTOR



OC74 TRANSISTOR UNDERSIDE VIEW

COLLECTOR



2N406, 410, 412 TRANSISTOR UNDERSIDE VIEW

ROD AERIAL



MODEL P3B

IF 455Kc/s

NUMBERS ASSIGNED TO TERMINALS OF COILS AND TRANSFORMERS ARE TO FACILITATE CIRCUIT TRACING OR COMPONENT REPLACEMENT AND MAY NOT BE FOUND ON THE UNIT.

ISSUE 2 - CIRCUIT NO 21 ADDED - CIRCUIT NO 49 WAS 220 - CIRCUIT NO 23 WAS 101.

Ned. Ver. v. Historie v/d Radio

