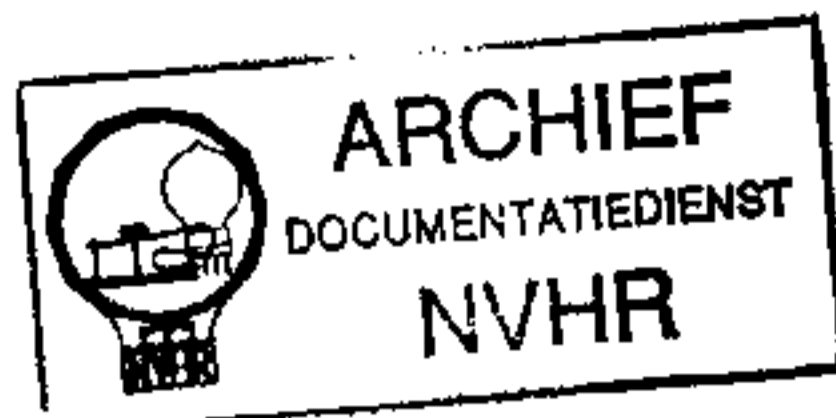




Met dank aan Jef Bos

Ned. Ver. v. Historie v/d R

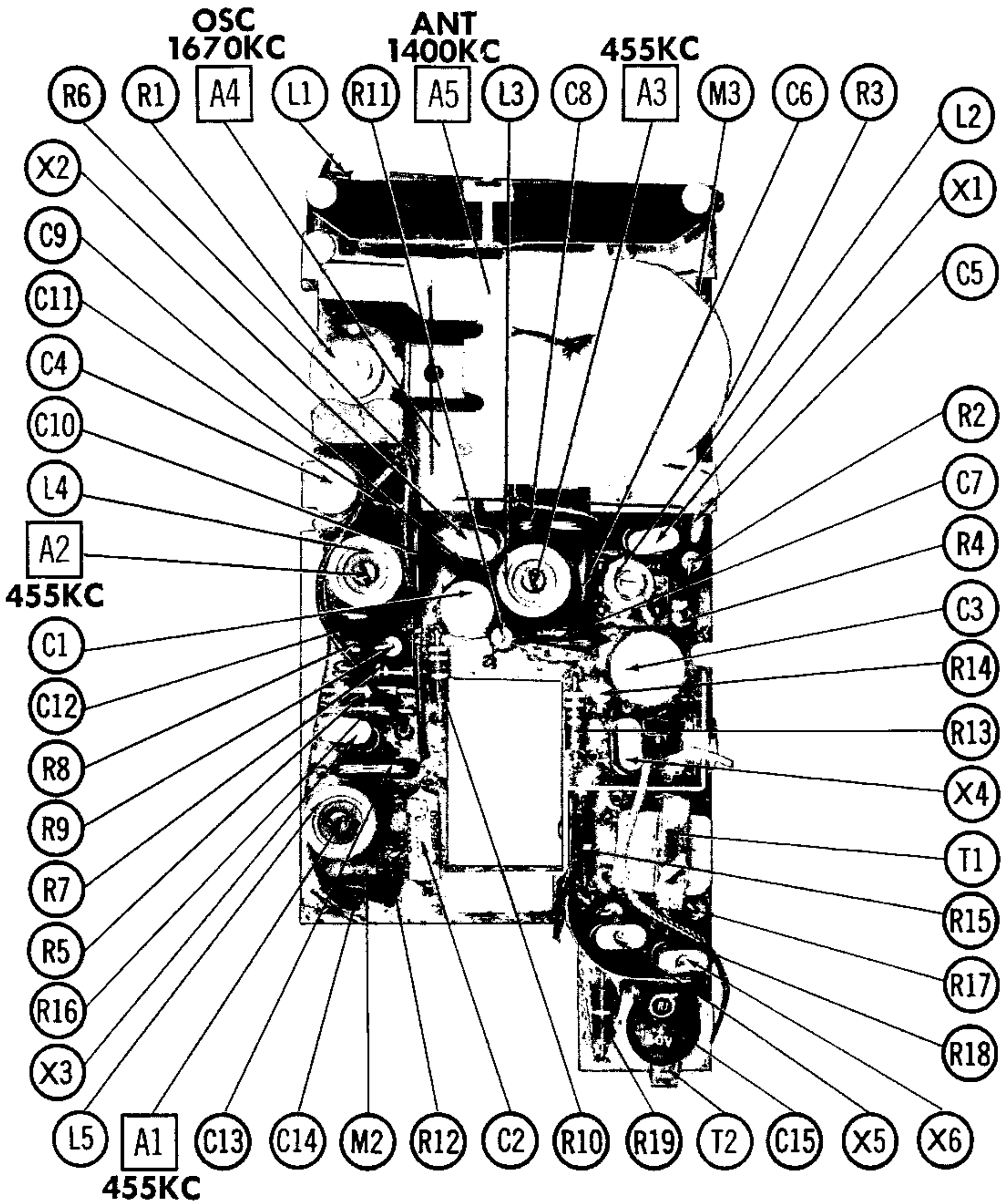


TRADE NAME		Arvin Model 9577 (Ch. 1.41700)				
MANUFACTURER		Arvin Industries, Inc., Columbus, Indiana				
TYPE SET		Battery Operated Portable AM Transistorized Receiver				
POWER SUPPLY		9 Volts DC		RATING		6.5MA @ 9 Volts DC
TUNING RANGE—BROADCAST		540KC - 1670KC				
ALIGNMENT INSTRUCTIONS—READ CAREFULLY BEFORE ATTEMPTING ALIGNMENT						
Volume control should be at maximum position. Output of signal generator should be no higher than necessary to obtain an output reading. Use an insulated alignment screwdriver for adjusting.						
DUMMY ANTENNA	SIGNAL GENERATOR COUPLING	SIGNAL GENERATOR FREQUENCY	RADIO DIAL SETTING	OUTPUT METER	ADJUST	REMARKS
1. .05MFD	High side to Antenna Stator Lug on Tuning Gang. Low side to B-	455KC (400% Mod)	Tuning gang fully open	Across voice coil	A1, A2, A3	Adjust for maximum output.
2.	Loop	1670KC	"	"	A4	Fashion loop of several turns of wire and radiate signal into loop of receiver. Adjust for maximum output.
3.	"	1400KC	Tune to 1400KC signal	"	A5	"

**HOWARD W. SAMS & CO., INC. • Indianapolis 5, Indiana**

The listing of any available replacement part herein does not constitute in any case a recommendation, warranty or guaranty by Howard W. Sams & Co., Inc., as to the quality and suitability of such replacement part. The numbers of these parts have been compiled from information furnished to Howard W. Sams & Co., Inc., by the manufacturers of HU4

the particular type of replacement part listed. Reproduction or use, without express permission, of editorial or pictorial content, in any manner, is prohibited. No patent liability is assumed with respect to the use of the information contained herein. © 1957 Howard W. Sams & Co., Inc., Indianapolis 5, Indiana. Printed in U.S. of America



CHASSIS-TOP VIEW

# PARTS LIST AND DESCRIPTIONS

## TRANSISTORS

ITEM No.	ORIG. TYPE	USE	REPLACEMENT DATA			NOTES
			CBS PART No.	RAYTHEON PART No.	SYLVANIA PART No.	
X1	2N252	Converter				
X2	2N253	1st. IF Amplifier			2N94	
X3	2N254	2nd. IF Amplifier			2N94A	
X4	2N238	Driver			2N84	
X5	2N185	Output				
X6	2N185	Output				

## ELECTROLYTIC CAPACITORS

ITEM No.	RATING		REPLACEMENT DATA						NOTES
	CAP.	VOLT.	ARVIN PART No.	AEROVOX PART No.	CORNELL-DUBILIER PART No.	MALLORY PART No.	PYRAMID PART No.	SANGAMO PART No.	
C1	10	10	44279-6	XPP10V10	NL10-10	TT12X10	ML10-15		TE-1114
C2	4	10	44396-1	XPP10V4	NL5-15	TT12X5	ML4-15		
C3A	50	10	44397-1 ①		NL50-10				
C3B	50	10			NL50-10				
C4	50	10	②	XPP10V50	NL50-10	TT10X50			R2305 *

① In some versions C3 may be a dual 80MFD unit (Part #44397-2).

② Some versions may use 80MFD (Part #44279-7).

\* Non Catalog Item

## FIXED CAPACITORS

Capacity values given in the rating column are in mfd. for Paper Capacitors, and in mmfd. for Mica and Ceramic Capacitors.

ITEM No.	RATING		REPLACEMENT DATA						NOTES
	CAP.	VOLT	ARVIN PART No.	AEROVOX PART No.	CENTRALAB PART No.	CORNELL-DUBILIER PART No.	ERIE PART No.	MALLORY PART No.	
C5	10000				DD-103	BYA6S1	ED-01	DC511	TG-S10
C6	4700				DD-472	BYA10D47	ED-0047	UC-5247	TG-D50
C7	50000								TG-S50
C8	220					L10T22	ED-220	UC-5322	5GA-T22
C9	8					C10V6C			
C10	220					L10T22	ED-220	UC-5322	5GA-T22
C11A	20000								
C11B	20000								
C12A	20000								
C12B	20000								
C13	330			BPD-00033		L10T33	ED-330	UC-5333	5GA-T33
C14	20000				DD-203	BYB6S2	ED-02		
C15	100000								TG-P10

## CONTROLS

ITEM No.	RATING		REPLACEMENT DATA					INSTALLATION NOTES
	RESISTANCE	WATTS	ARVIN PART No.	CENTRALAB PART No.	CLAROSTAT PART No.	IRC PART No.	MALLORY PART No.	
R1	5000Ω	1/4	C44384					Volume & Switch (Note 1)

Note 1. Alternate Part #46000-1

## RESISTORS

All wattages 1/2 watt, or less, unless otherwise listed.

ITEM No.	RATING		REPLACEMENT DATA		NOTES	ITEM No.	RATING		REPLACEMENT DATA		NOTES
	OHMS	WATT	ARVIN PART No.	IRC PART No.			OHMS	WATT	ARVIN PART No.	IRC PART No.	
R2	8200Ω			BTS-8200		R11	47K	5%		BTS-47K	5%
R3	39K	5%		BTS-39K	5%	R12	220Ω			BTS-220	
R4	3300Ω			BTS-3300		R13	4700Ω	5%		BTS-4700	5%
R5	1000Ω			BTS-1000		R14	47K	5%		BTS-47K	5%
R6	470Ω			BTS-470		R15	1000Ω			BTS-1000	
R7	15K	5%		BTS-15K	5%	R16	220Ω			BTS-220	
R8	2200Ω			BTS-2200		R17	5600Ω	5%		BTS-5600	5%
R9	1000Ω			BTS-1000		R18	100Ω	5%		BTS-100	5%
R10	3300Ω			BTS-3300		R19	10Ω			BTS-10	

# PARTS LIST AND DESCRIPTIONS (Continued)

## TRANSFORMER (DRIVER)

ITEM No.	Turns Ratio		REPLACEMENT DATA					NOTES	
			ARVIN PART No.	Haldorson PART No.	Merit PART No.	Stancor PART No.	Thordarson PART No.		Triad PART No.
	PRI.	SEC.							
T1	1:	1	44391	GHI12 ①②			TR-2 ①②	T-33X ①	① Cut off mounting tabs. ② Tape center tap on primary.

## TRANSFORMER (AUDIO OUTPUT)

ITEM No.	IMPEDANCE		REPLACEMENT DATA					NOTES	
			ARVIN PART No.	Haldorson PART No.	Merit PART No.	Stancor PART No.	Thordarson PART No.		Triad PART No.
	PRI.	SEC.							
T2	1230Ω	17Ω	44390						

## SPEAKER

ITEM No.	TYPE			REPLACEMENT DATA		NOTES
				ARVIN PART No.	QUAM PART No.	
	SIZE	FIELD	V. C. IMP.			
SP1	2 3/4"	PM	17Ω	44280		

## COILS (RF-IF)

ITEM No.	USE	REPLACEMENT DATA				NOTES
		ARVIN PART No.	MEISSNER PART No.	MERIT PART No.	MILLER PART No.	
L1	Loop Stick	44511-1			2005	
L2	Osc. Coll	44383-1				
L3	1st. IF	44386				
L4	2nd. IF	44388				
L5	3rd. IF	44389				

## BATTERIES

ITEM No.	VOLTAGE	ARVIN PART No.	REPLACEMENT DATA								NOTES
			BURGESS		EVEREADY		MALLORY		RAY-O-VAC		
			"A"	"B"	"A"	"B"	"A"	"B"	"A"	"B"	
M1	9V			P6		226		M-1600		1600	

## CRYSTAL DIODES

ITEM No.	ORIG. TYPE	REPLACEMENT DATA			NOTES
		ARVIN PART No.	CBS PART No.	SYLVANIA PART No.	
M2	1N295		1N60	1N34A	Audio Det. (Pigtail)

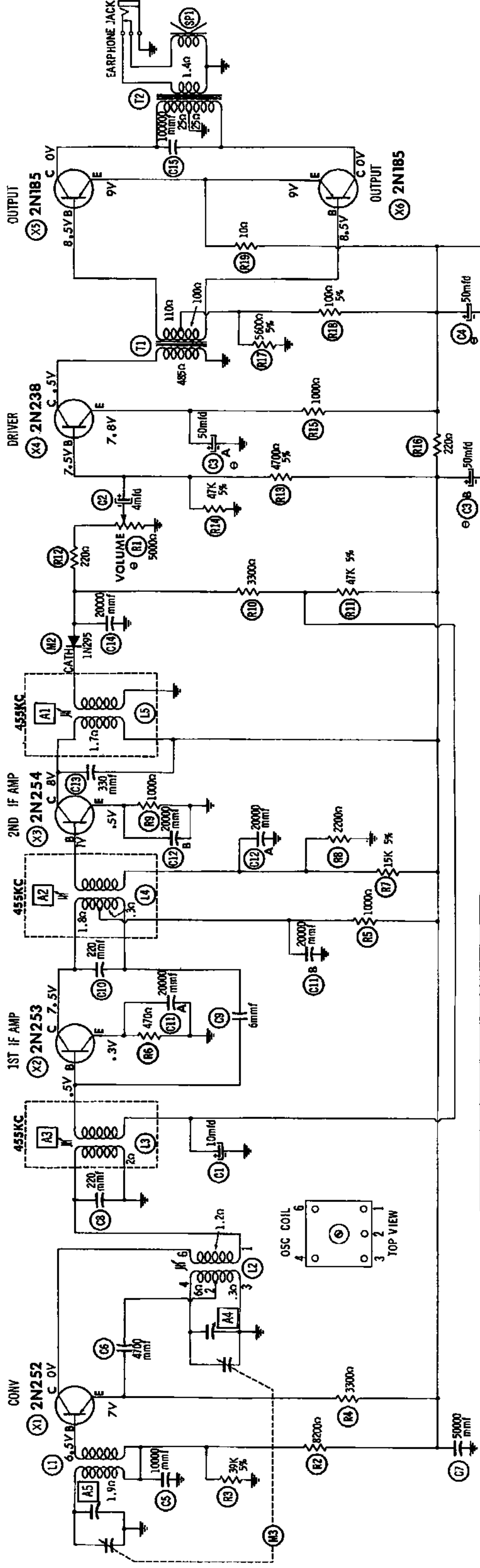
## MISCELLANEOUS

ITEM No.	PART NAME	ARVIN PART No.	NOTES
M3	Tuning Cap.	44293	2 Gang (Ant. 15-135MMF, Osc. 18-95MMF)

## CABINETS & CABINET PARTS

(When Ordering Cabinets & Cabinet Parts, Specify Model, Chassis & Color)

NAME	PART NO.	DESCRIPTION
Knob	44425-29	Tuning, Ebony
Knob	44425-53	Tuning, Pink
Knob	44425-57	Tuning, White
Knob	44555-29	On-Off-Volume, Ebony
Knob	44555-53	On-Off-Volume, Pink
Knob	44555-57	On-Off-Volume, White
Cabinet	44493-29	Ebony
Cabinet	44493-53	Pink
Cabinet	44493-57	White
Pointer	44577	
Earphone Jack	44548	

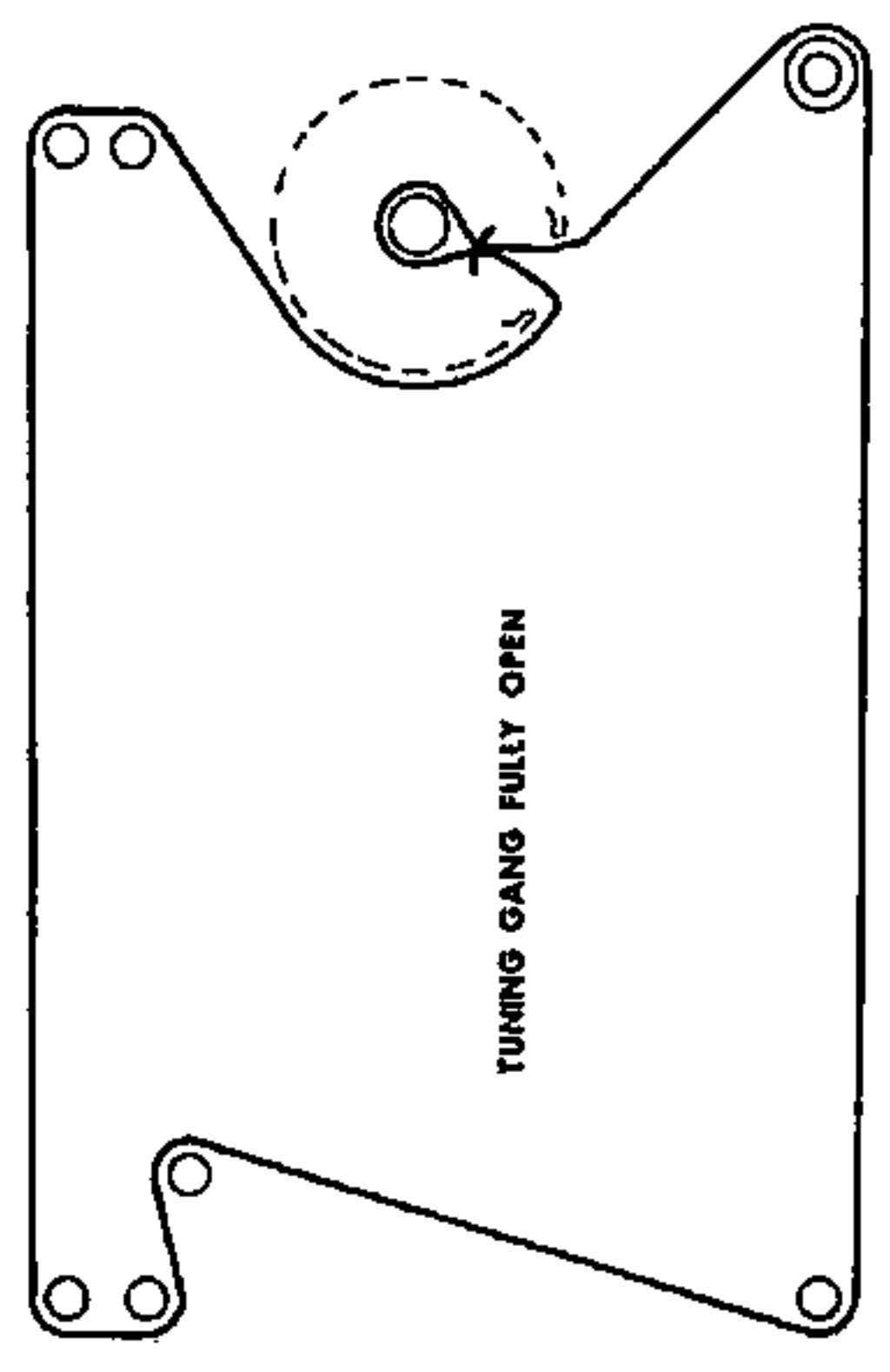


SEE PARTS LIST FOR ALTERNATE VALUE OR APPLICATION

DC COIL RESISTANCE VALUES UNDER ONE OHM NOT SHOWN ON SCHEMATIC DIAGRAM.

TRANSISTOR RESISTANCE NOT TAKEN BECAUSE OF WIDE VARIATION IN INTERNAL TRANSISTOR RESISTANCE

1. DC voltage measurements taken with vacuum tube voltmeter.
2. Socket connections are shown as bottom views.
3. Measured values are from socket pin to common negative.
4. Nominal tolerance on component values makes possible a variation of  $\pm 15\%$  in voltage and resistance readings.
5. Volume control at maximum. no signal applied for voltage measurements.



A PHOTOFAC STANDARD NOTATION SCHEMATIC  
Howard W. Sams & Co., Inc. 1957

## DIAL CORD STRINGING

